

& R P S D O F R Q I L G

/ R V \$ Q J H O H V \$ \$ *

. 7 . \$ (/ \$ 3 5 (9 6 F K H P D W L F V ' R F

ORELOH \$ 0 ' 6 * 5 6 0 5 6 0 & 5 ; 6 %
5 H Y

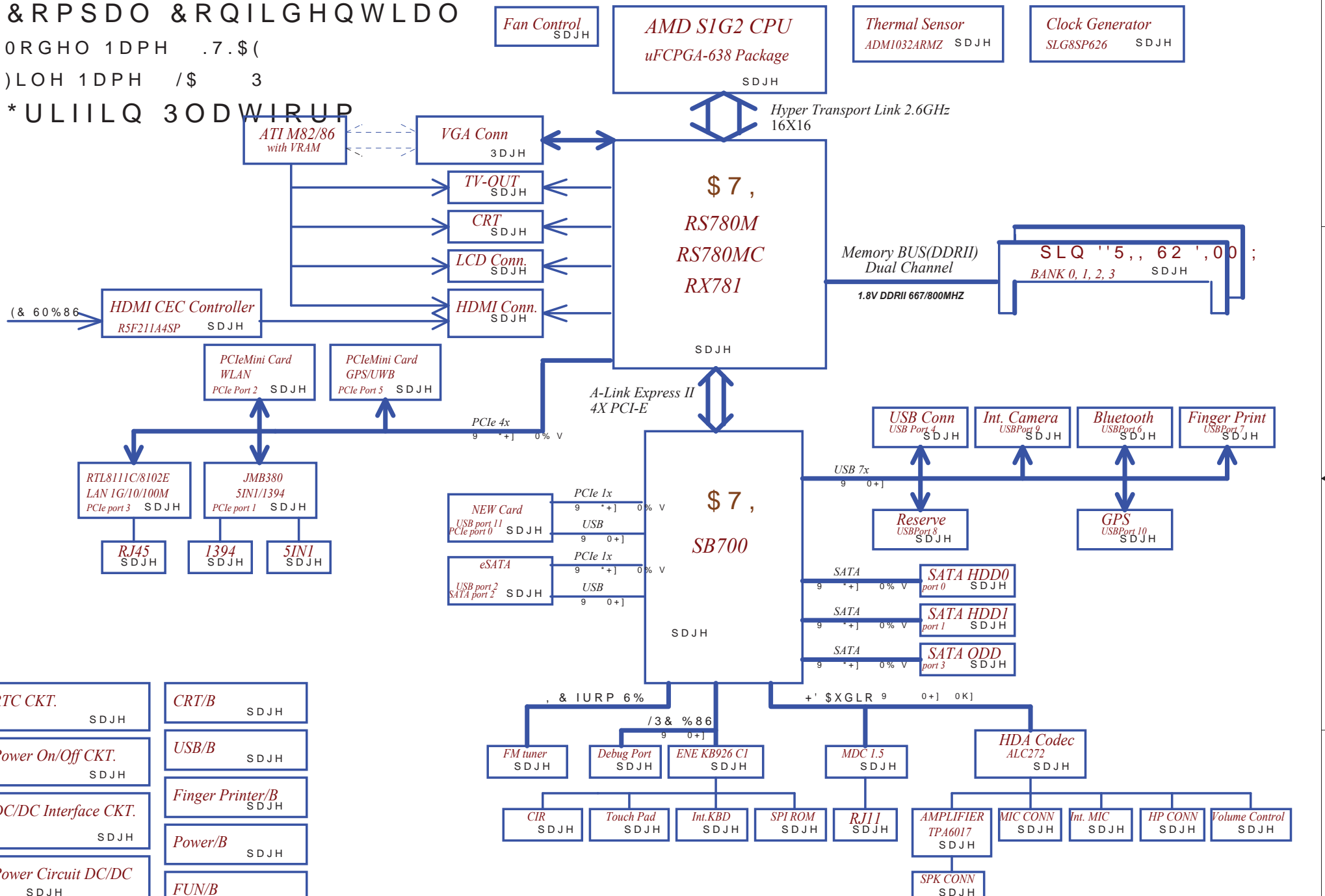
6HFULW\ &ODVVLILFDWLRQ	&RPSDO 6HFUHW 'DWD	&RPSDO (OHFWURQLF	
,VXXHG 'DWH	'HFLSKHUHG 'DWH	7LWOH	&RYHU 6KHHW
7+.6+((7 2) (1'.1((5.1' '5\$:.1' .6 7+(35235.(7\$5< 35235\$& 2/(87521.86 .18 \$1' &217\$.16 &21). (17./ \$1' 75\$' (6(85(7 .1)250\$7.21 7+.6 8+((7 0\$< 127 % (159216)(588672' < 2) 7+(&203(7(17 '.9.6.21 2) 5 . ' (3\$570(17 (:;&(37 \$6 \$87+25.=(' %< &203\$/ ((87521.86(5.74.618+(7 125 7+(.1)250\$7.21 .7 .&217\$.16 0\$< % (86(' %< 25 '.6&/28(' 72 \$1< 7+.5' 3\$57< .7+287(35829 8617 2) &203\$/ ((87521.86 .18		6LJH 'RFXPHQW 1XPEHU	
		&XVWRP	/ \$ 3
		'DWH 7KXUVGD\ -DQXDU\	6KHHW RI

&RPSDO &RQILGHQWLDO

ORGHO 1DPH .7.\$(

)LOH 1DPH /\$ 3

*ULIILQ 3ODWIRUP



- RTC CKT. SDJH
- Power On/Off CKT. SDJH
- DC/DC Interface CKT. SDJH
- Power Circuit DC/DC SDJH
- CRT/B SDJH
- USB/B SDJH
- Finger Printer/B SDJH
- Power/B SDJH
- FUN/B SDJH
- LED/B SDJH

6HFxULW1 & 0D VVILFDWLRQ	&RPSDO 6HFUHW 'DWD	&RPSDO (OHFWURQLFV
,VVXHG 'DWH	'HFLSKHUHG 'DWH	7LWOH
7+.6 6+(7 2) (1+.1(5.1' 58;.1' .6 7+(35235.(755< 35220534 0(7521.86 .18 \$1' 82175.16 821).(17.5/ \$1' 755'1.6(85(7 .1)25087.21 7+.6 6+(17 08< 127 % (152018)8580672< 2) 7+(820317(17 .9,6,21 2) 5 . (35570(17 (;&37 86 \$87+25.-1' %< 82033) /((8752170465.34.618+(17 128 7+(.1)25057.21.7 & 2175.16 08< % (86(' %< 25 .6&/26(' 72 \$1< 7+.5' 3557< .:7+287(35828 0617 2) & 2035/ /((87521.86 .18		%ORFN 'LDJUDP
		6LJH 'RFXPHQW 1XPEHU
		&XVWRP /\$ 3
		DWH JULGDV 'HFHPEHU 6KHHW RI

Voltage Rails 2 0(\$16 21; 0(\$16 2))

				96 96 96 96 96 96
	%	9\$/:	9	96
	9/	9\$/:	9	96
	9/	9\$/:	9	96
	57&9&&	9B/\$1	9	96
				9* \$B&25(9B+7 &38B&25(B &38B&25(B &38B&25(B
6	2	2	2	2
6	2	2	2	2
6	2	2	2	;
6 6 \$&	2	2		;
6 6 %DWWHU\ RQO\	2			;
6 6 \$& %DWWHU\ GRQ W H[L V W				;

6\PERO 1RWH



PHDQV MXVW UHVHUYH QR EXLOG
'(%8*# PHDQV MXVW UHVHUYH IRU GHXJ
PHDQV 'LJLWDO *URXQG
PHDQV \$QDORJ *URXQG

Layout Notes

UMA@: means for RS780M.

, WHP	&38 1%	9*\$	6%
*0#	6 *	56 0	1\$ 6%
30# 30	6 *	5;	0 0 6%
59# 30	6 *	56 0 0	6%
*0#	6 *	56 0&	1\$ 6%

BTO Option Table

)XQFWLRQ	+ '0,	79 RXW
GHVFULSWLRQ	<	6
H[SODLQ	\$0' 80\$ \$7, 9*\$ %	&20021
%72	, + '0, #	+ # 79#

)XQFWLRQ QG +'	/ \$1	0LQL FDUG	5-)0 WXQHU	* 6, 0 VORV
GHVFULSWLRQ	(&	5 0	
H[SODLQ	0 *LJD	7ZR &UDGV	5-)0	
%72	+ ' ' #	(# &#	:/ \$1# *36#	0' &#)0# #

)XQFWLRQ HOLDF	%/8 (7227 +&, 5	&\$0(\$5 0, &)LQJHU SULQWHU
GHVFULSWLRQ	%	,
H[SODLQ		&\$0(\$5 0, &
%72), &\$#	%7# &, 5# &\$0# 0, &#)3#

I2C / SMBUS ADDRESSING

DEVICE	HEX	ADDRESS
DDR SO-DIMM 0	A0	10100000
DDR SO-DIMM 1	A4	10100100
CLOCK GENERATOR (EXT.)	D2	11010010

60% 86 & RQWURO 7DEOH

	SOURCE	INVERTER	BATT	CEC	THERMAL SENSOR	SODIMM	CLK CHIP	MINI CARD	LCD	HDMI	G-Sensor
SMB_EC_CK1	KB926	X	9	9	X	X	X	X	X	X	X
SMB_EC_DA1	KB926	X	X	X	9	X	X	X	X	X	X
SMB_EC_CK2	KB926	X	X	X	9	X	X	X	X	X	X
SMB_EC_DA2	KB926	X	X	X	9	X	X	X	X	X	X
I2C_CLK	RS780M	X	X	X	X	X	X	X	9	X	X
I2C_DATA	RS780M	X	X	X	X	X	X	X	9	X	X
DDC_CLK0	RS780M	X	X	X	X	X	X	X	X	9	X
DDC_DATA0	RS780M	X	X	X	X	X	X	X	X	9	X
DDC_CLK1	RS780M	X	X	X	X	X	X	X	X	X	X
DDC_DATA1	RS780M	X	X	X	X	X	X	X	X	X	X
SCL0	SB700	X	X	X	X	9	9	X	X	X	9
SDA0	SB700	X	X	X	X	X	X	X	9	X	X
SCL1	SB700	X	X	X	X	X	X	X	9	X	X
SDA1	SB700	X	X	X	X	X	X	X	9	X	X
SCL2	SB700	X	X	X	X	X	X	X	X	X	X
SDA2	SB700	X	X	X	X	X	X	X	X	X	X
SCL3	SB700	X	X	X	X	X	X	X	X	X	X
SDA3	SB700	X	X	X	X	X	X	X	X	X	X

EC SM Bus1 address

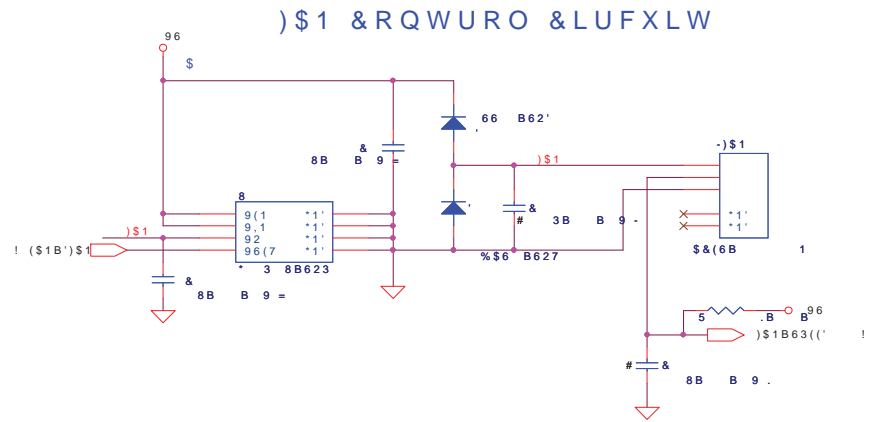
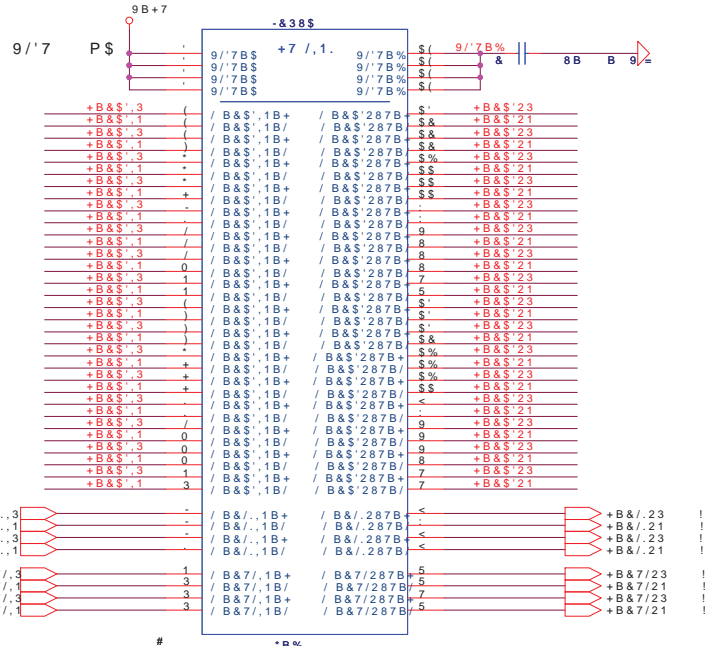
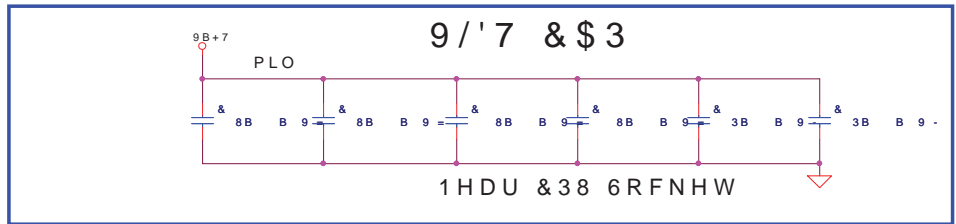
EC SM Bus2 address

Device	HEX	Address	Device	HEX	Address
Smart Battery	16H	0001 011X b	ADI1032-1 CPU	98H	1001 100X b
HDMI-CEC	34H	0011 010X b	ADI1032-2 VGA	9AH	1001 101X b
EC KB926C1			EC KB926C1		
			Ext. VGA/B		
			CS/B		

6HFULW\ &O VVILFDWLRQ	&RPSDO 6HFUHW 'DWD	&RPSDO (OHEWURQLFV
,VXXHG 'DWH	'HFLSKHUHG 'DWH	7LWOH
		1RWHV /LVW
7+. 6 6+(7 2) (1' .1((5,1' '5\$;.1' .6 7+(35235.755< 35220934 0(7521.86 .18 \$1' 82175.16 821). (17.5/ \$1' 75\$1' 618517 .1)250\$7.21 7+. 6 6+(17 0\$- 127 % (1352019)8560672< 2) 7+(8203171(17 .9, 0, 21 2) 5 . (3\$570(17 (-(8(37 \$6 \$37*25. =1' %& 82033/ (187521.2045.34. 518+(17 125 7+(1)250\$7.21 .7 &217\$.16 0\$< % (86(' %< 25 .6&/26(' 72 \$1< 7+.5' 3\$57< .:7+207(35&29 0617 2) &203\$/ ((87521.86 .18		6LH 'RFXPHQW 1XPEHU &XVWRP /\$ 3
		DWH JULGD\ 'HFHPEHU (6KHHW RI

! +B&\$'.3> @ +B&\$'.3> @
 ! +B&\$'.1> @ +B&\$'.1> @

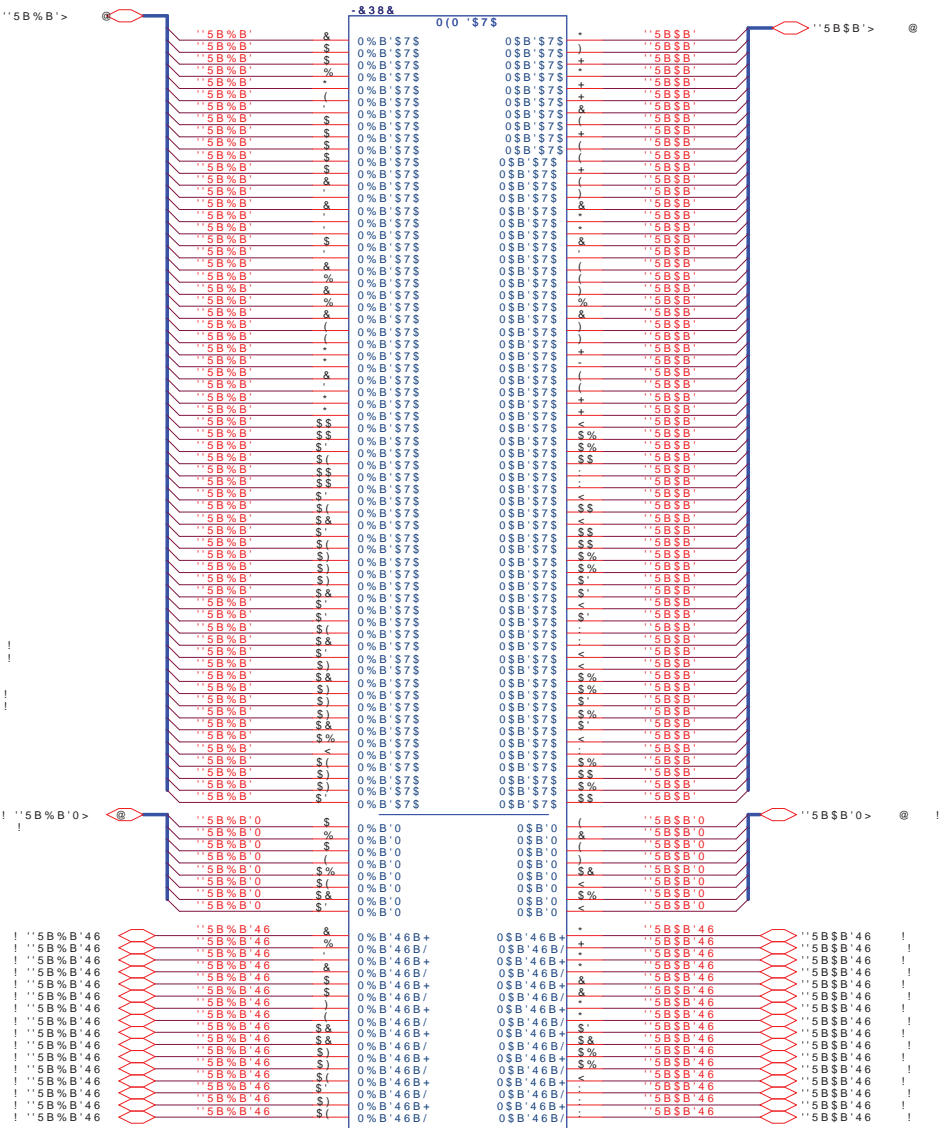
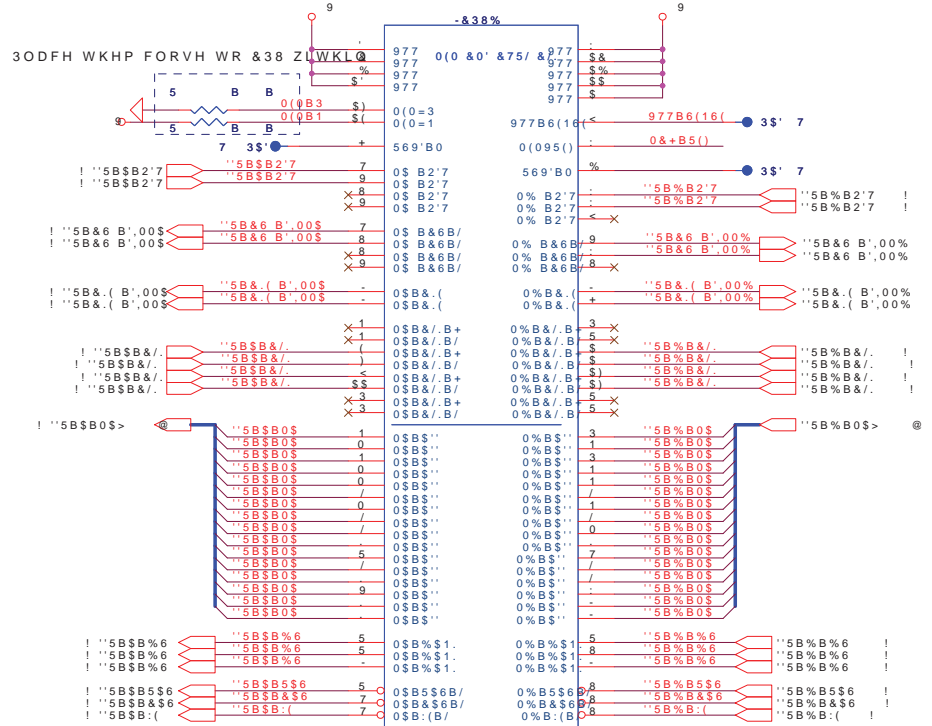
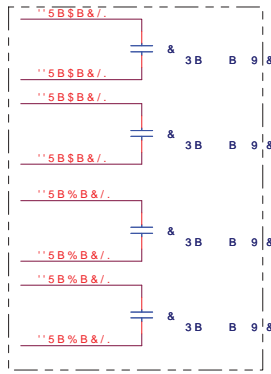
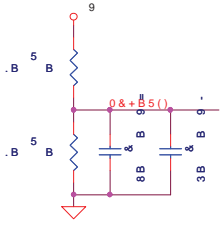
+B&\$'.23> @ +B&\$'.23> @ !
 +B&\$'.21> @ +B&\$'.21> @ !



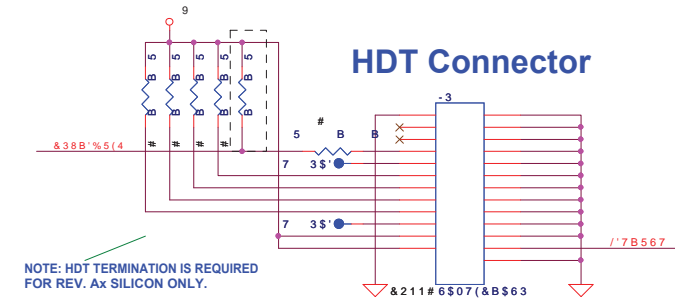
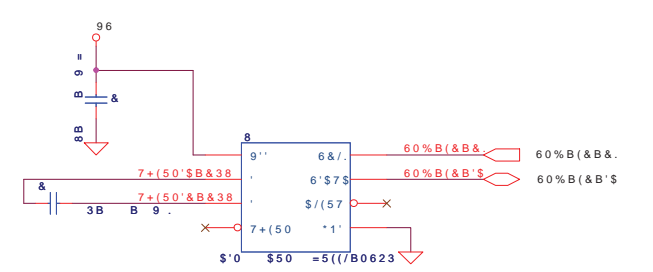
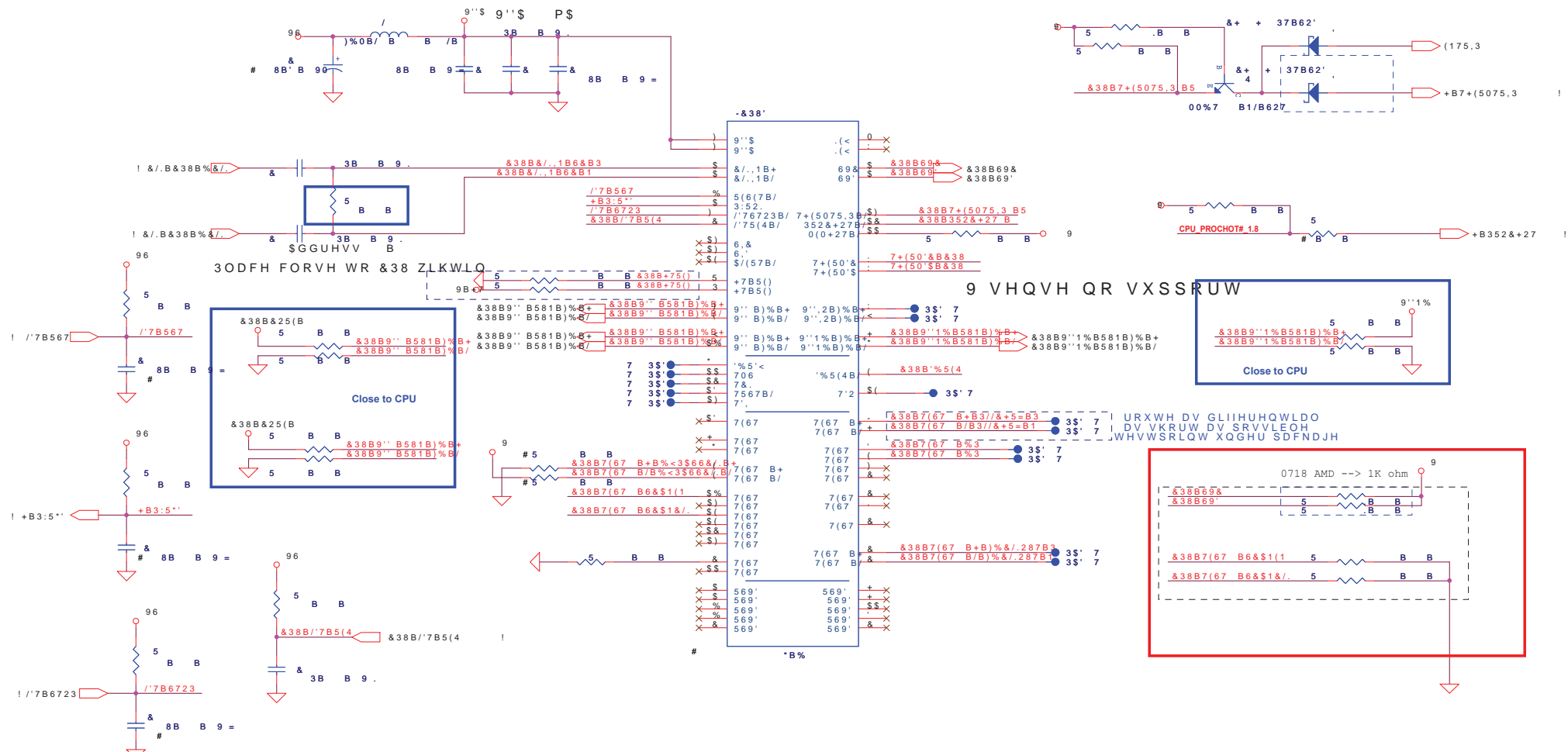
6HFUXLW\ &ODVVILFDWLRQ	&RPSDO 6HFUHW 'DWD	&RPSDO (OHFWURQLFV	
,VVXH G'DWH	'HFLSKHUHG'DWH	7LWOH	\$0' & 38 6 * +7 ,)
7+.6 6+(7 2) (1*1(5,1' '5\$;1' .6 7+(35235,7\$5< 35228\$3& @(&7521,86 .1& \$1' &217\$;16 &21),'(17,\$/ \$1' 75\$' 6(&5(7 .1)250\$7,21 7+.6 6+(7 0\$- 127 %{}1\$521\$B\$6\$672< 2) 7+(&20317(17 .9,6,21 2) 5 . (3\$570(17 {&37 \$6 \$37+25,=(' %< &203\$ / ((&7521,7045,3&,616+(17 125 7+(.1)250\$7,21 .7 &217\$,16 0\$< %(86(' %< 25 .6&/26(' 72 \$1< 7+.5' 3\$57< .:7+2\$7(35&2\$ 0617 2) &203\$/ ((&7521,86 .1&		6LH 'RFXPHQW 1XPEHU	\$/ 3
		DWH JULGD\ 'HFHPEHU	6KHHW RI

Processor DDR2 Memory Interface

PLACE CLOSE TO PROCESSOR
WITHIN 1.5 INCH

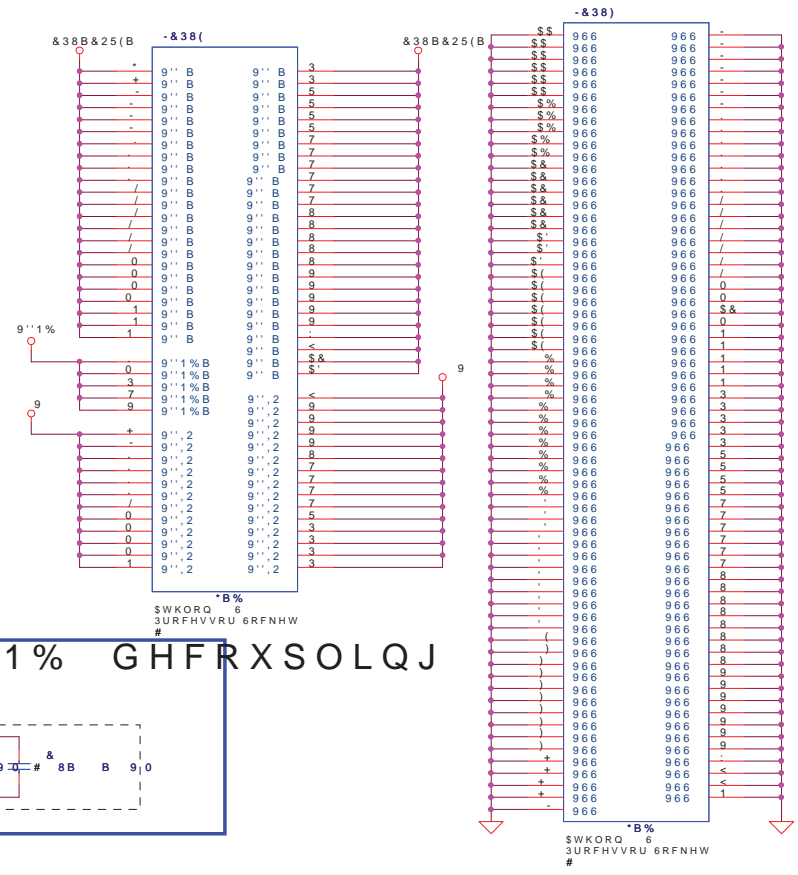
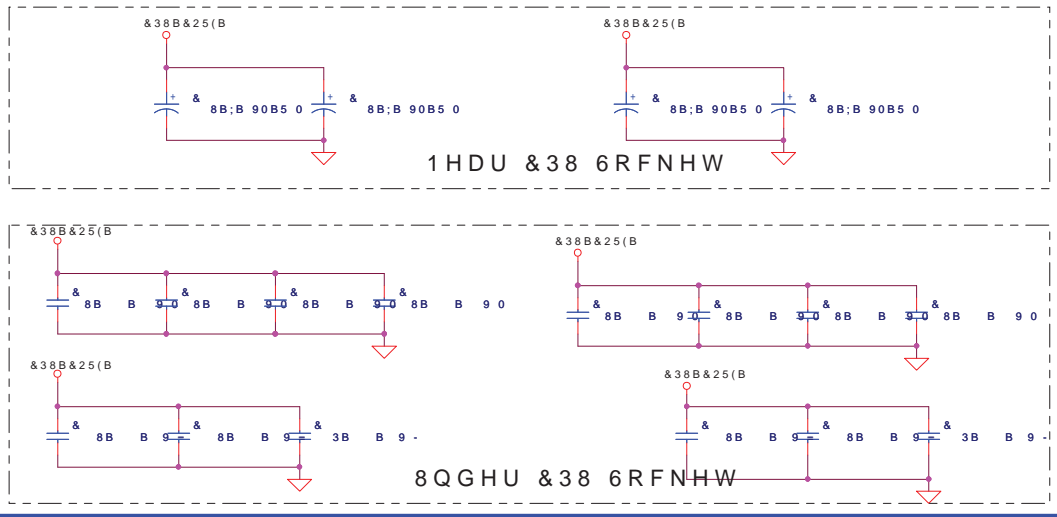


6HFUXLW1 & 0VVLILFDWLRQ	& RPSDO 6HFUHW 'DWD	& RPSDO (OHFWURQLFV
,VXHG 'DWH	'HFLSKUHG 'DWH	7LWOH
7+ 6 6((7 2) (1+ (1(51' 58:1' 6 7+ (35235,755< 3522055A 0(7521,66 .18 \$1' 21275,16 421), (17,5/ \$1' 75\$1' 61&5(1' -1)25057,21 7+ 6 6((7 05< 127 2% (12520119560672< 2) 7+ (2031717 9,6,21 2) 5' (35570(17 (1&37 56 \$37+25=1' % & 2035/ ((67521,2045,3,4,4%+(17 125 7+ (1)25057,21 7 42175,16 05< (86(' % 25 ,6&/26(' 72 \$1< 7+ 5' 3557< ,7+207(35&220 0617 2) & 2035/ ((67521,66 .18		\$0' & 38 6 * '5, , ,)
6LH 'RFXPHQW 1XPEHU		3
& XVWRP		
DWH JULGD 'HFHPEHU		6KHHW RI

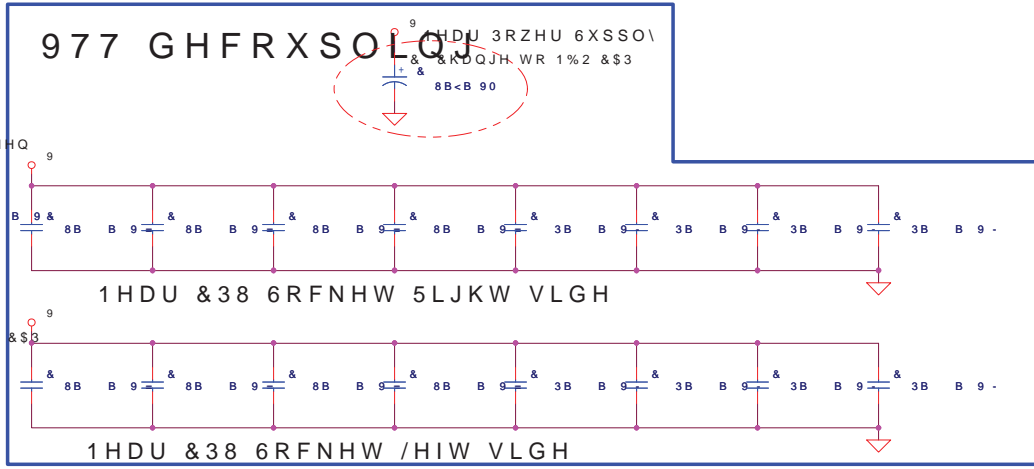
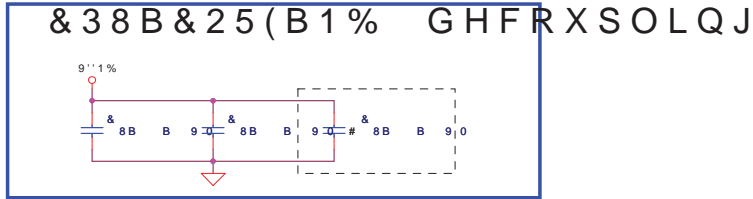
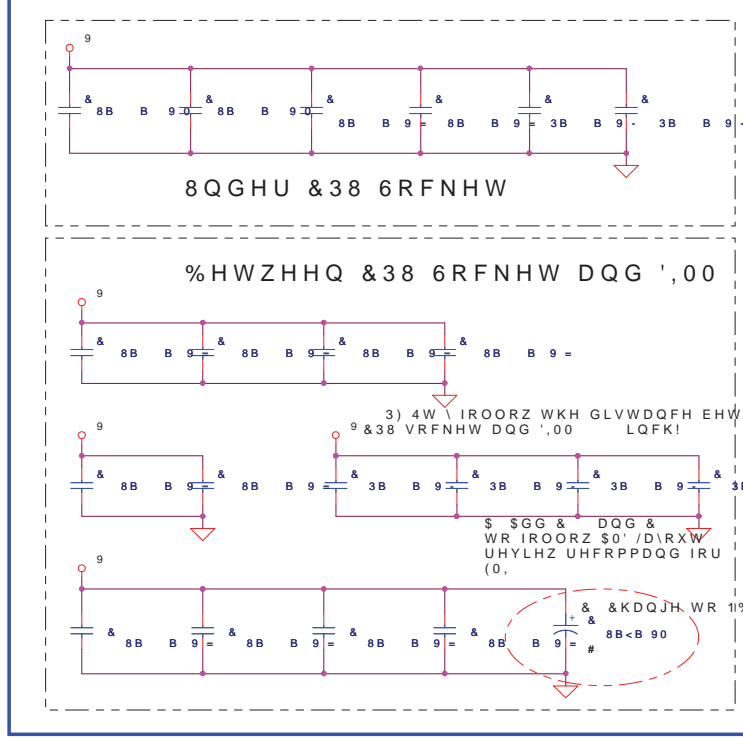


6HFUXLW\&ODVVILFDWLRQ	&RPSDO 6HFUHW 'DWD	&RPSDO (OHFWURQLFV
,VVXHG 'DWH	'HFLSKHUHG 'DWH	7LWOH
7+66+(72)(1'1(51'58:1'67+(35235.755<35228947(7521.86 .18 \$1' 2175.16 421).'(17.5/ \$1' 755'(125087.21 7+.66+(1(85' 127 %(1552818)68672<2) 7+(20317(17 .9,6,21 2) 5' (35570(17 (5(37 36 \$37+25. =1' & 2033\$ /((18752178465.34,614+(17 125 7+(1)250\$7.21 .7 & 2175.16 0\$<%(86(' % 25 .6&/26(' 72 \$1< 7+.5' 3\$57< .:7+287(35228 0617 2) & 203\$ /((187521.86 .18		\$Q' & 38 6 * & 75/
		6LH 'RFXPHQW 1XPEHU
		&XVWRP /\$ 3
		DWH JULGD\ 'HFHPEHU 6KHHW RI

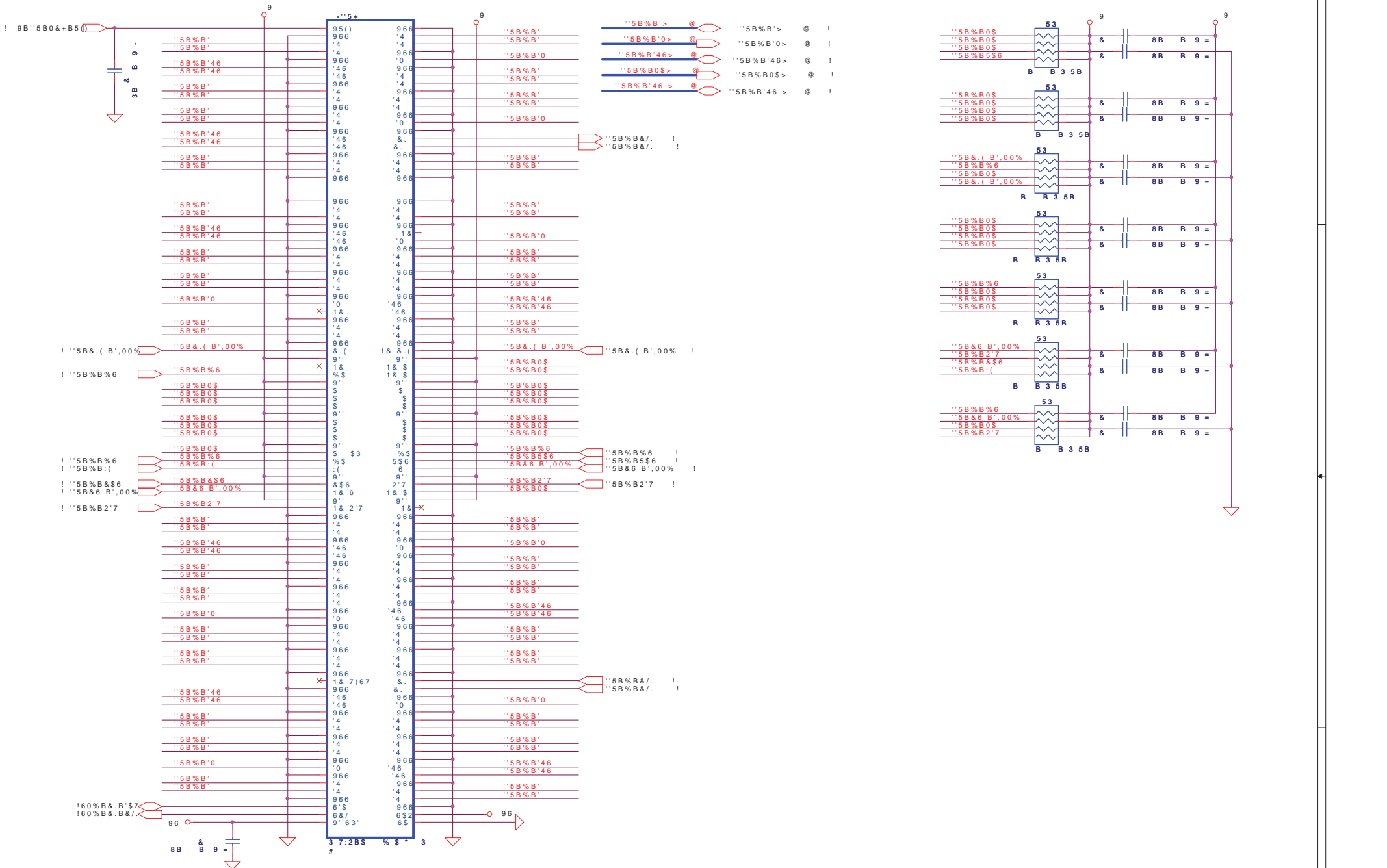
9'' & 38B&25(GHFRXSOLQJ



9'',2 GHFRXSOLQJ

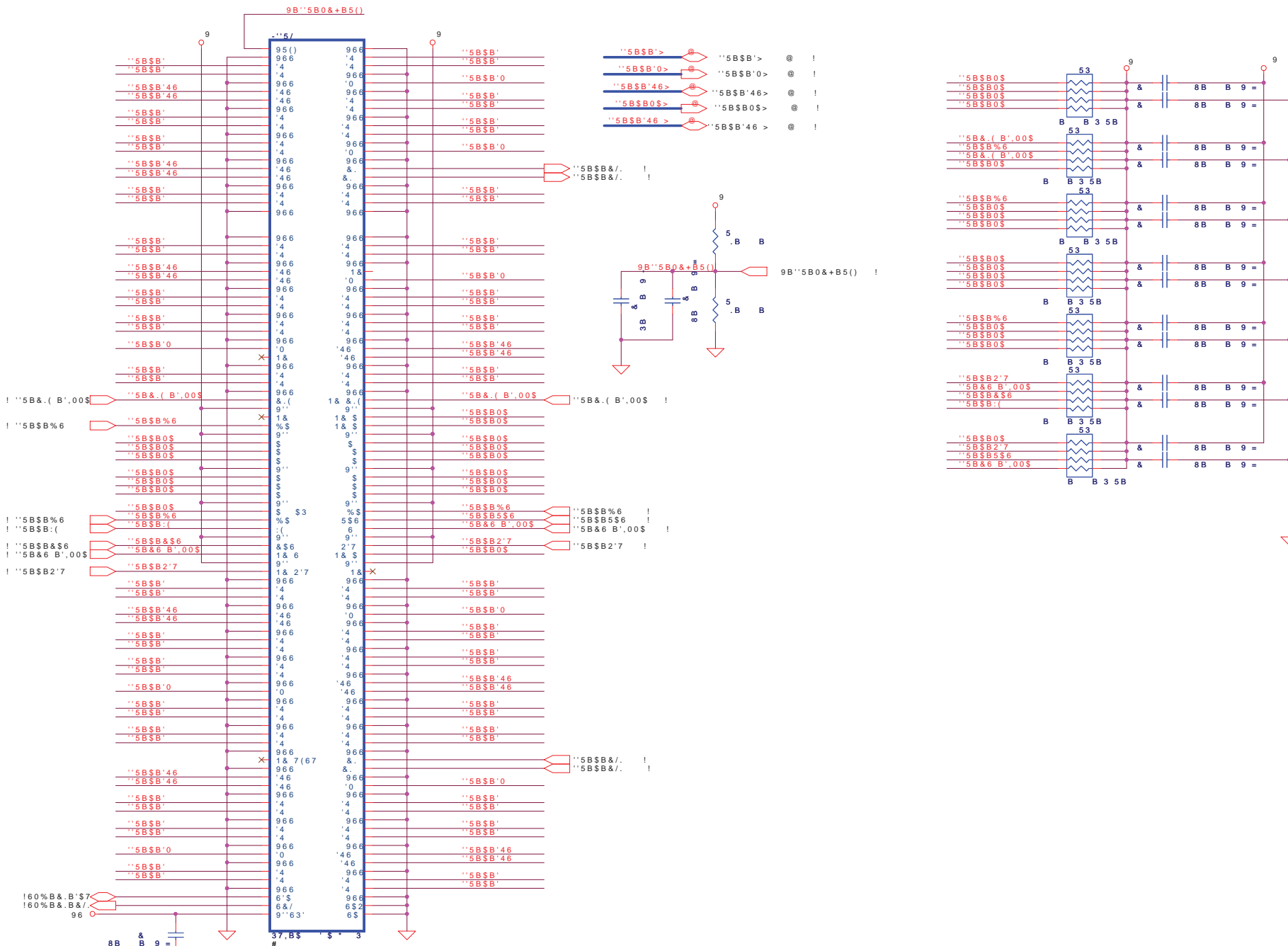


6HFJULW\ & ODVVILFDWLQRQ	& RPSDO 6HFUHW 'DWD	& RPSDO (OHFWURQLFV
,VXHG 'DWH	'HFLSKHUHG 'DWH	7LWOH
7+.66+(72)(1'1(51'55:1' 67+ 35235.755< 35020936 0(7521,86 .18 \$1' 2175.16 821). (17,\$/ \$1' 75\$(1.61&5(7.1)250\$7.21 7+.66+(70\$< 127.%(12500)95&8672< 2) 7+(&203(7(17.19,5,21 2) 5' (3\$570(17.1& (37 \$6 \$37+25,=' %< &203\$ / ((87521,7045.34.516+(17.125 7+(1)250\$7.21 7 &2175.16 0\$< (86(' %< 25 .6&/26(' 72 \$1< 7+.5' 3\$57< .7+207(35&20 0617 2) &203\$ / ((87521,86 .18	\$0' & 38 6 * 3:5 * 1'	5HY
		6LH 'RFXPHQW 1XPEHU
		&XVWRP /\$ 3
		'DWH JULGD\ 'HFHPEHU 6KHHW RI



DIMM0 STD H:9.2mm (Bot)

6HFJULW1 & ODVVILFDWLRQ	& RPSDO 6HFUHW 'DWD	& RPSDO (OHFWURQLFV
,VVXHG 'DWH	'HFLSKHUHG 'DWH	7LWOH
7+, 6 6+(7 2) (1', 1) (51' 55; 1' 6 7+ (35235, 755< 35820956 @(&7521, 86 ,1& \$1' &2175, 16 &21), (17, \$/ \$1' 755(1, 6)&5(7, -1)250\$7, 21 7+, 6 6+(17 0\$< 127, % (135801B)508672< 2) 7+(&203(7(17, -9, 5, 21 2) 5' (3\$570(17, [-&(37 \$6 \$57+25, =1' %< &203\$7 /((87521, 7045, 3, 4, 516+(17, 155 7+(, -1)250\$7, 21 7' &2175, 16 0\$< % (86(' %< 25 , 6&/26(' 72 \$1< 7+, 5' 3\$57< .:7+2#7(35&209617 2) &203\$7 /((87521, 86 ,1&		'5,, 62 ',00
		6LH 'RFXPHQW 1XPEHU
		&XVWRP /\$ 3
		'DWH JULGD 'HFHPEHU, 6KHHW RI

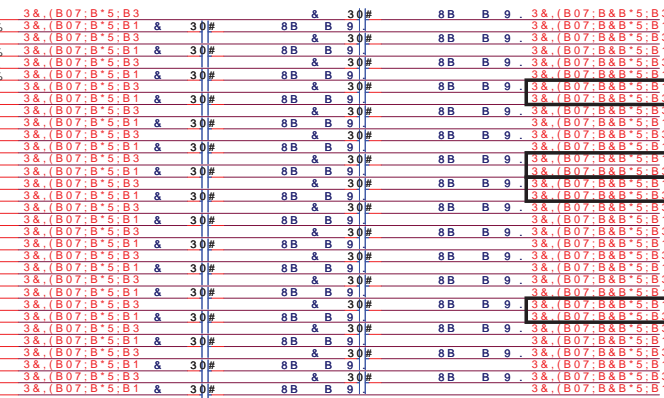


DIMM0 STD H:5.2mm (Bot)

6HFJULW\ &O VVILFDWLRQ	&RPSDO 6HFUHW 'DWD	&RPSDO (OHFWURQLFV
,VVXHG 'DWH	'HFLSKHUHG 'DWH	7LWOH
7+.6 6+(7 2) (1' 1((5 1' 5\$; 1' .6 7+(35235.(75< 35229\$34 0(7521.86 .18 \$1' 2175.16 21). (17.5/ \$1' 75\$1' 6(85(7 .1)250\$7.21 7+.6 6+(17 0\$< 127 % (152218)560672< 2) 7+(20317(17 .9,6,21 2) 5' (3\$570(17 [(2(37 \$6 \$37+25.=1' %< 203\$7/ ((187521.7045.34,614+(17 125 7+(.1)250\$7.21 .7 2175.16 0\$< % (86(' %< 25 .6&/26(' 72 \$1< 7+.5' 3557< .7+207(35229 0617 2) 203\$7/ ((187521.86 .18		'5., 62 ',00
6LH 'RFXPHQW 1XPEHU		3
&XVWRP /\$		6KHHW RI
DWH JULGD\ 'HFHPEHU		

! 3&,(B'7:B&B05:B3 > 3&,(B'7:B&B05:B3 > @ !
! 3&,(B'7:B&B05:B1 > 3&,(B'7:B&B05:B1 > @ * 0 56 0 30 5;

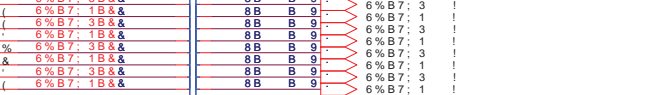
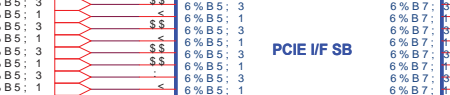
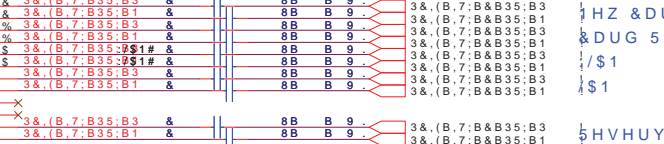
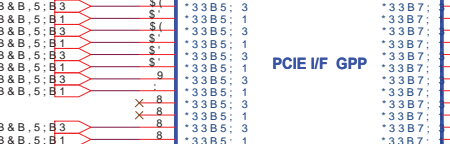
PCIE MTX C GRX [P0..15] 3&,(B07:B&B*5:B3 > @ !
PCIE MTX C GRX [N0..15] 3&,(B07:B&B*5:B1 > @ !



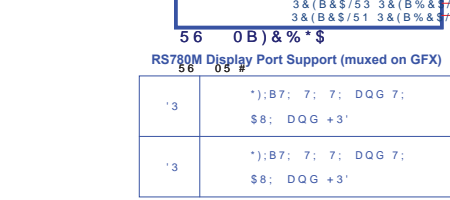
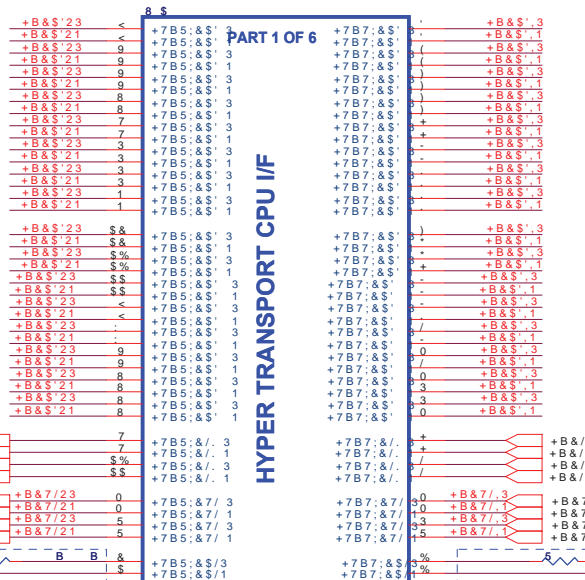
3 RODULW\ LQYHUVLRQ

3 RODULW\ LQYHUVLRQ

3 RODULW\ LQYHUVLRQ



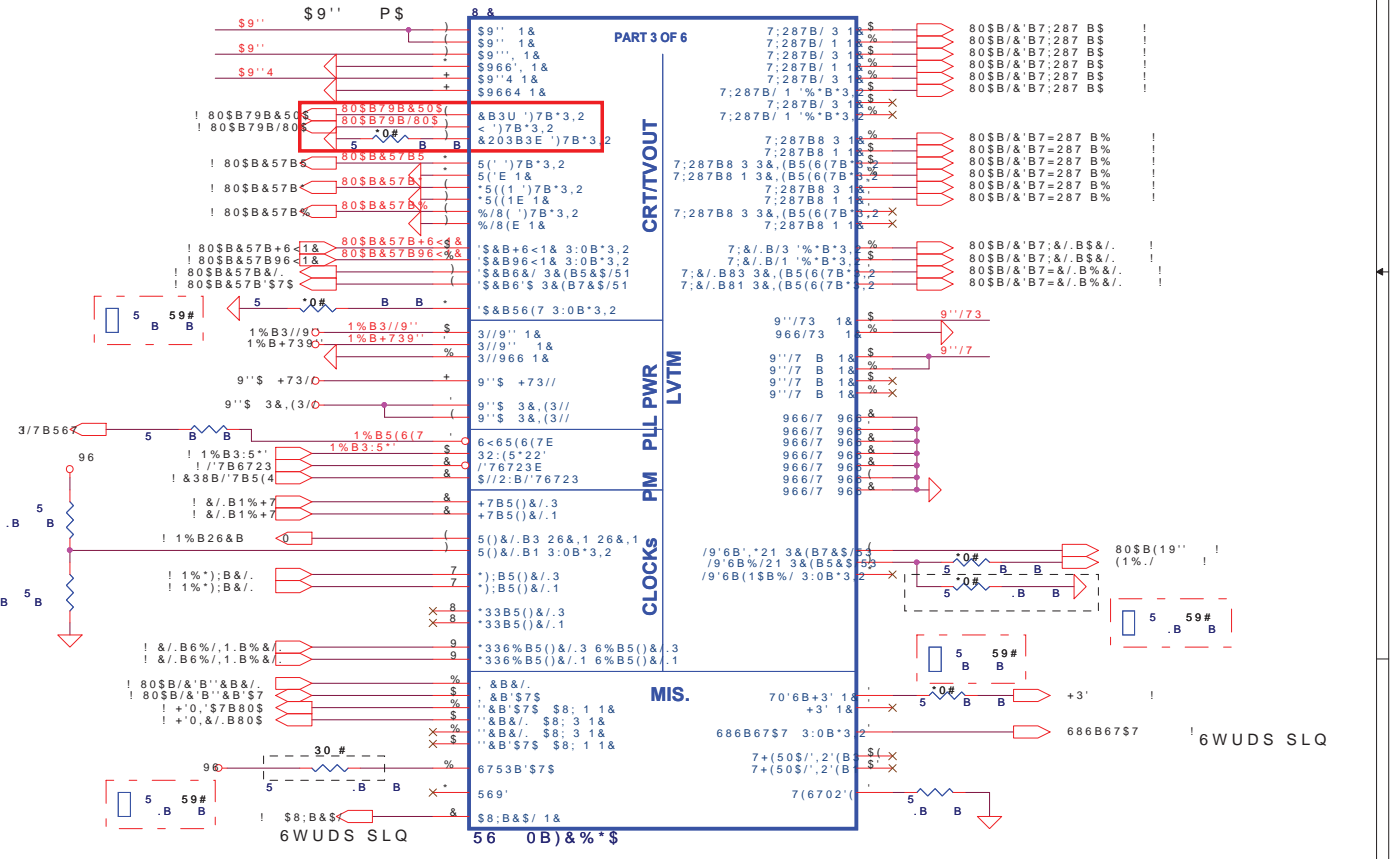
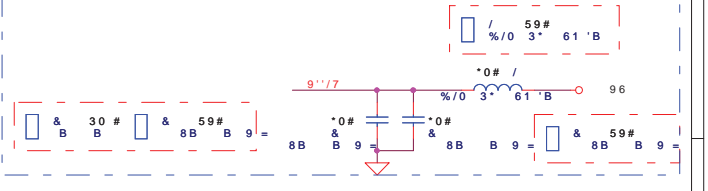
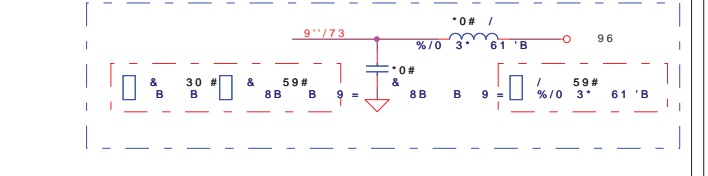
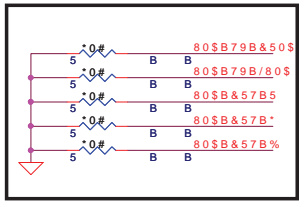
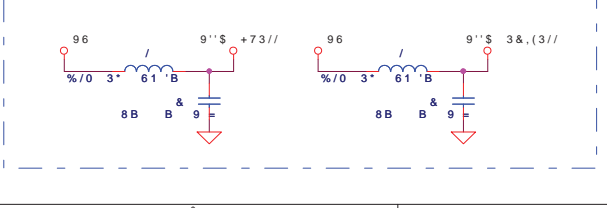
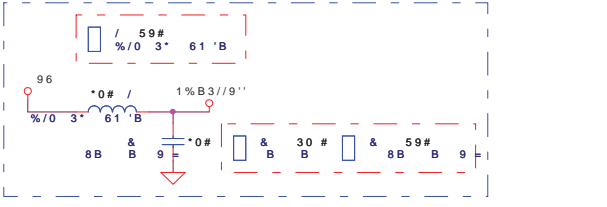
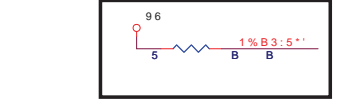
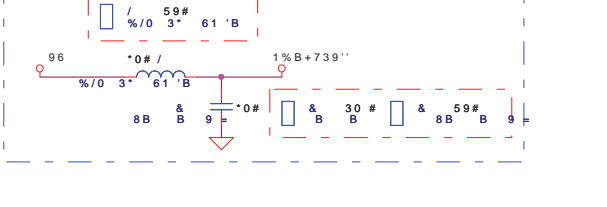
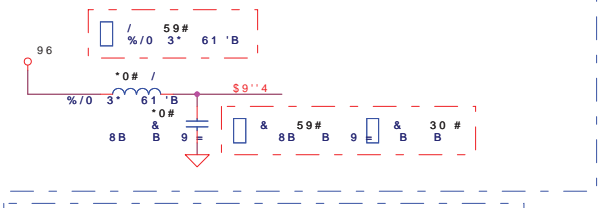
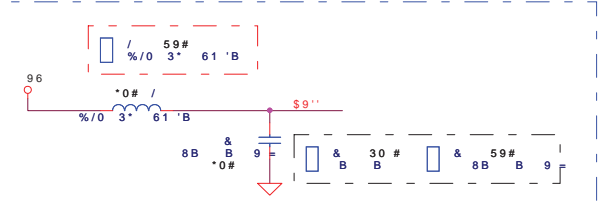
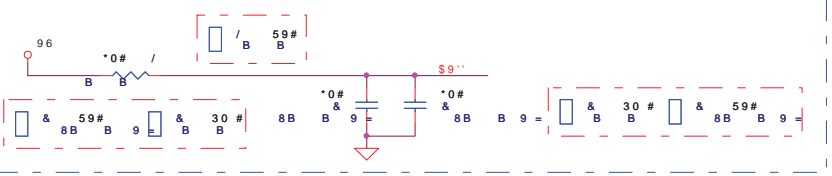
! +B&S'23> @ +B&S'3> @ +B&S'1> @ +B&S'1> @ !
! +B&S'21> @ +B&S'21> @ +B&S'1> @ +B&S'1> @ !



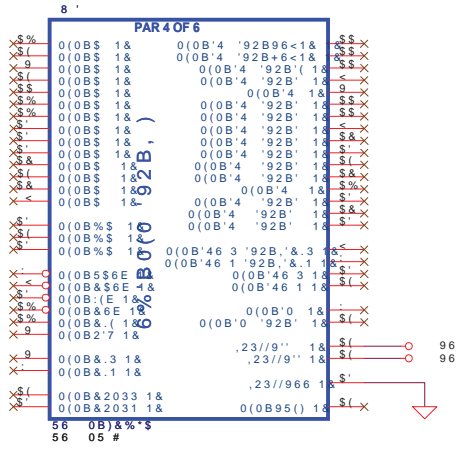
0718 Place within 1" layout 1:2
56 0B)&*\$
0718 Place within 1" layout 1:2

1((' & +(& . 5 5 : , 7 + \$ 0'

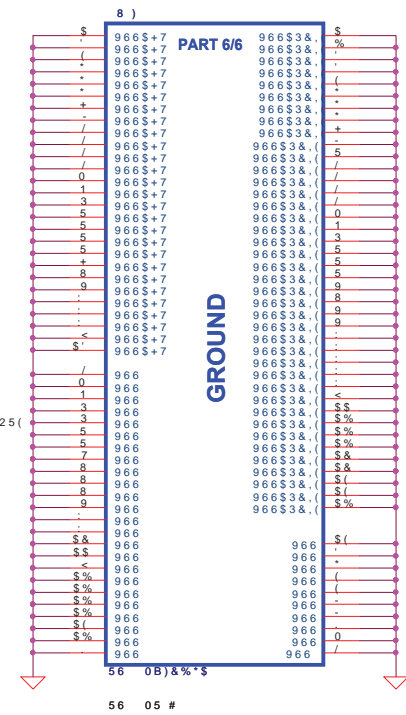
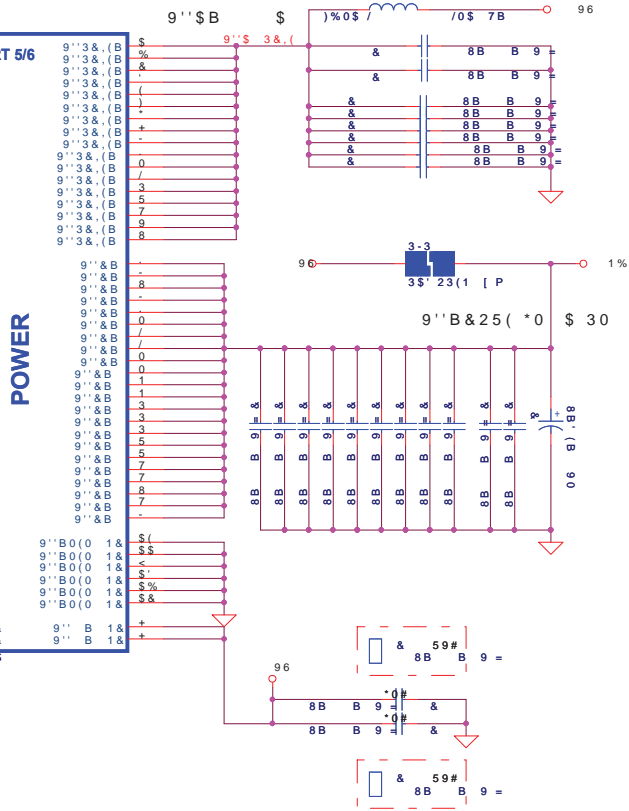
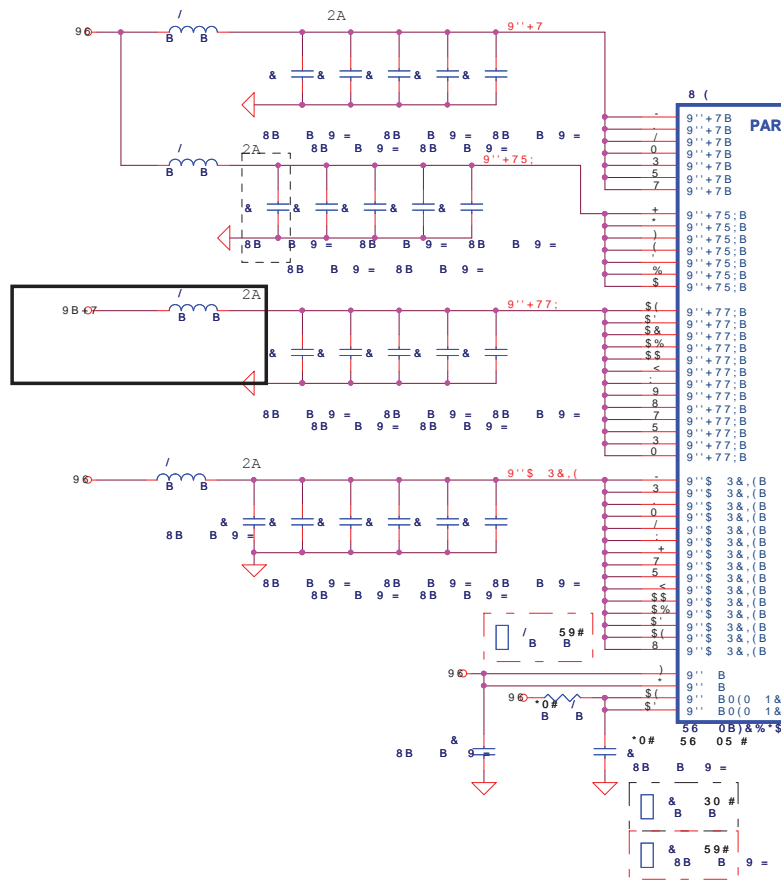
6HFUJLW\ &OVVLILFDWLRLQ	&RPSDO 6HFUHW 'DWD	7LWOH	&RPSDO (OHEWU RQLFV
.V VXHG 'DWH	'HFLSKHUHG 'DWH	56 0 5; +7 3& (
<small>7+ . 6 6+((7 2) (1' . 1 (5 . 1' 55; . 1' . 6 7+ (35235 . 755 < 35828356 (/ 7521 . 86 . 1& \$1' & 2175 . 16 & 21) . (/ 7 . 5 / \$1' 755 (61&57 (1) 2507 . 21 7+ . 6 6+((7 05 < 127 . % (155888456867 < 2) 7+(& 203 (7 17 . 1 0 . 5 2 1 2) 5 . 1 (35570 (17 ; & (57 56 587 +25 ; (' % < & 203& (/ ((67521 . 70&5 . 3& . 58+(17 15 7 (1) 2507 . 21 7 & 2175 . 16 05 < (86 (' % < 25 . 6& / 26 (' 72 \$1 < 7 + . 5' 3557 < . 7 + 2&7 (35&28 (617 2) & 203& (/ (& 7521 . 86 . 1&</small>			
6LH 'RFXPHW 1XPHEU	XVWRP	/ \$ 3	5HY
DWH JULGD 'HFHPEHU	6KHHW RI		



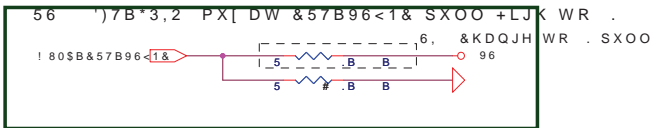
6HFJULW1 & ODVVILFDWLRQ	&RPSDO 6HFUHW 'DWD	&RPSDO (OHFWURQLFV
,VXXHG 'DWH	'HFLSKHUHG'DWH	7LWOH
		56 9(' 2 &/. *(1
7+.6 6+((7 2) (1+.1((51' 58:1' .6 7+(35235.(75< 35228934 @(&7521.&6 .1& \$1' &2175.16 &21).((17 \$/ \$1' 75\$1'61&5(7' .1)250\$7.21 7+.6 6+((7 68< 1.27 % (1352818)668672< 2) 7+(&2031717' .9,6,21 2) 5' (35570(17 (&37 36 \$87+25=1' %< &2033' /((7521'7065.3&.618+(17 125 7+(.1)250\$7.21' 7 &2175.16 0\$< % (86(' %< 25 .6&/26(' 72 \$1< 7+.5' 3557< .1,7+287(35&28 8617 2) &2033' /((87521.&6 .1&		6LH 'RFXPHQW 1XPEHU &XVWRP /\$ 3
		DWH JULGD\ 'HFHPEHU 6KHHW RI



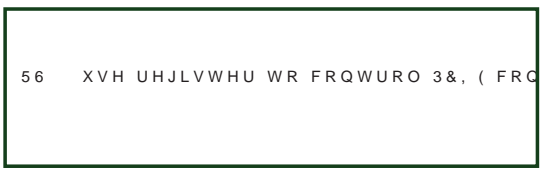
6HFUXLW\ &ODVVLILFDWLRQ		&RPSDO 6HFUHW 'DWD		&RPSDO (OHFWURQLFV	
,VXXHG 'DWH		'HFLSKHUHG' 'DWH		7LWOH	
				56 0 5; 6,'(3257	
7+.6 6+((7 2) (1'.1((5.1' '5\$;.1' .6 7+(35235.(7\$5< 352209\$# 0/(&7521.&6 .1& \$1' &217\$.16 &21) .'(17.\$/		6L]H 'RFXPHQW 1XPEHU		/ \$ 3	
\$1' 75\$'(6(&5(7 .1)250\$7.21' 7+.6 6+((7 0\$< 127 % (1552018)660672< 2) 7+(&20317(17 .19.6.21 2) 5 .		&XVWRP			
(35570(17 (;&(37 \$6 \$37+25.=(' %< &203\$/ (/(&7521.7045.3&.616+(17 12\$ 7+(.1)250\$7.21' .7 &217\$.16		'DWH JULGD\ 'HFHPEHU		6KHHW RI	
0\$< % (86(' %< 25 .6&/26(' 72 \$1< 7+.5' 3\$57< .:7+2#7(35&29 0617 2) &203\$/ (/(&7521.&6 .1&					



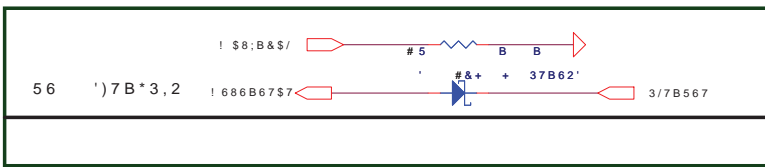
6HFJULW1 & ODVVILFDWLRQ	& RPSDO 6HFUHW 'DWD	& RPSDO (OHFWURQLFV
.VVXHG 'DWH	'HFLSKHUHG 'DWH	7LWOH
7+.6 6+(7 2) (1'.1(5.1' '55;.1' .6 7+(35235.755< 35020936 0(7521.86 .1& \$1' & 2175.16 & 21). (17.\$ / \$1' 755(1.6&5(7. 1)250\$7.21 7+.6 6+(17.05< 127.% (135301B)4508672< 2) 7+(& 203(7(17. 1.9.5.21 2) 5' (3\$570(17.1& (37 \$6. \$37+25. =1' %< & 203\$ / ((87521.7045.34.516+(17. 125 7+(.1)250\$7.21 7. & 2175.16 05< % (86(' %< 25 .6&/26(' 72 \$1< 7+.5' 3\$57< .:7+207(35&20 0617 2) & 203\$ / ((87521.86 .1&		56 0 5; 3:5 * 1'
		6L# 'RFXPHQ 1XPEHU
		& XVWRP /\$ 3
		'DWH JULGD 'HFHPEHU 6KHHW RI



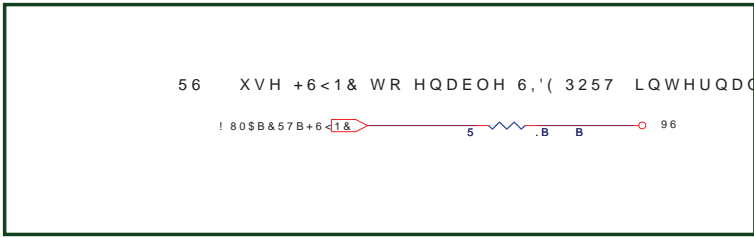
DFT_GPIO5:STRAP_DEBUG_BUS_GPIO_ENABLEb
KLJK
 Enables the Test Debug Bus using GPIO.
 1 : Enable (RX780, RS780)
 0 : Disable (RX780, RS780)
 PIN: RS740-->RS780_AUX_CAL; RX780-->NB_TV_C; RS780--> VSYNC#



DFT_GPIO4:2: STRAP_PCIE_GPP_CFG[2:0]
 These pin straps are used to configure PCI-E GPP mode.
 000 : 00001
 001 : 00010
 010 : 01011
 011 : 00100
 100 : 01010
 101 : 01100
 111 : 01011

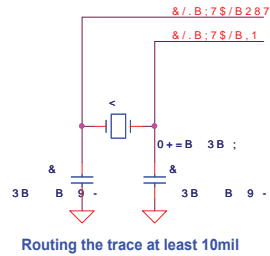
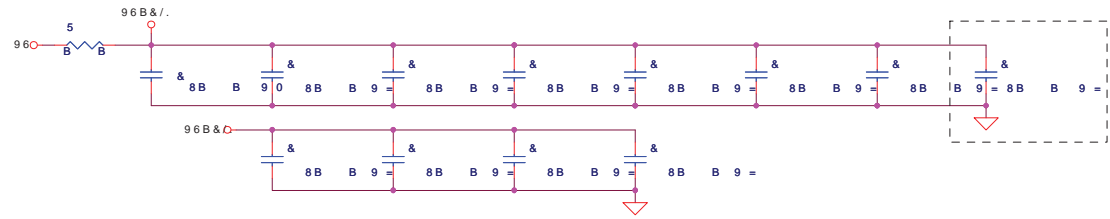
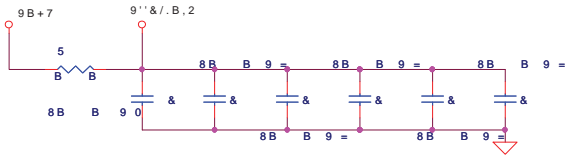


DFT_GPIO1: LOAD_EEPROM_STRAPS
 Selects Loading of STRAPS from EPROM
 1 : Bypass the loading of EEPROM straps and use Hardware Default Values
 0 : I2C Master can load strap values from EEPROM if connected, or use default values if not connected
 RS740/RX780: DFT_GPIO1 RS780:SUS_STAT



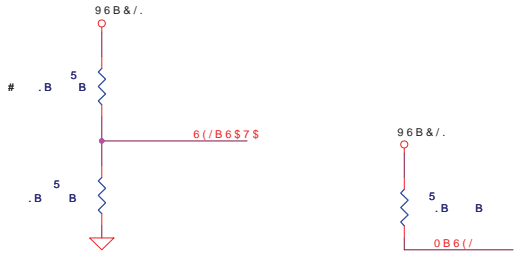
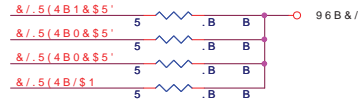
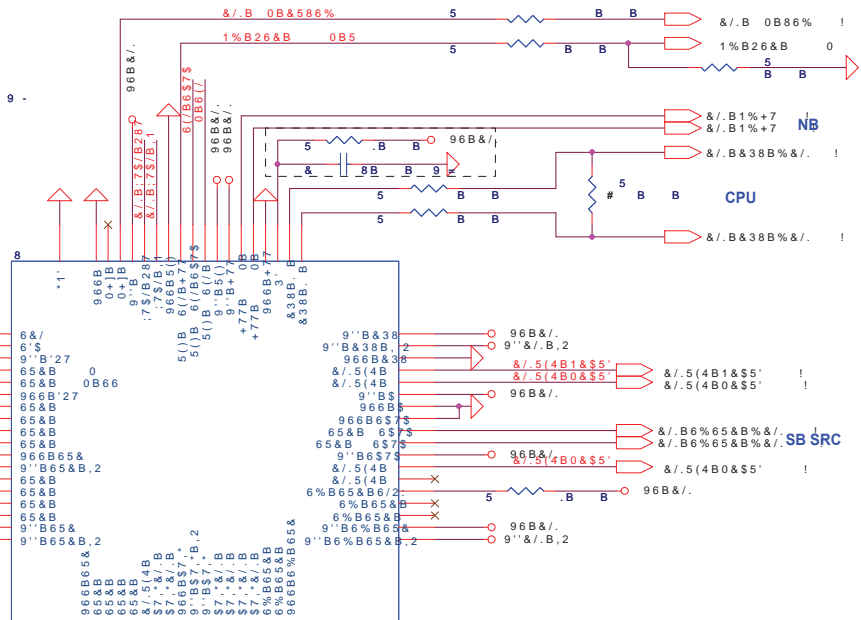
DFT_GPIO0: STRAP_DEBUG_BUS_PCIE_ENABLEb
KLJK
 RX780: Enables the Test Debug Bus using PCIE bus
 1 : Disable (Can still be enabled using nbcfg register access)
 0 : Enable
 RS780: Enables Side port memory (RS780 use HSYNC#)
 1. Disable (RS780)
 0 : Enable (RS780)

6HF X ULW\ &O VVLLFDWLRQ	&RPSDO 6HFUHW 'DWD	&RPSDO (OHFWURQLFV
.VXHG 'DWH	'HFLSKHUHG 'DWH	7LWOH
7+.6 6+((7 2) (1+.1(5.1+ '5\$:.1' .6 7+(35235.(7\$5< 35220936 0(87521.&6 .1& \$1' &2175.16 &21).'(17.\$/ \$1' 75\$'(6&5(7 .1)250\$7.21 7+.6 6+((7 0\$< 127 % (125018)4568672< 2) 7+(&203(7(17 .1)9.5.21 2) 5' (3\$570(17 (;&(37 \$6 \$37+25.=(' %< &203\$7' ((87521.7945.34.516+((7 125 7+(.1)250\$7.21 7 &2175.16 0\$< % (86(' %< 25 '.6&/26(' 72 \$1< 7+.5' 3\$57< .:7+2#7(35&29 0617 2) &203\$7' ((87521.&6 .1&		56 0 5; 675\$36
		6L# 'RFXPQW 1XPEHU
		&XVWRP /\$ 3
		'DWH 'JULGD\ 'HFHPEHU ' 6KHHW RI



	OSC_14M_NB
RS780	1.1V 158R/90.9R

SB LINK
WLAN



1% &/2&. ,1387 7\$%/ (
+7B5()&/.3	0 (')	0 (')
+7B5()&/.1	0 (')	0 (')
5()&/B3		
5()&/B1	0.6(9	0.6(9
);B5()&/.	0 (')	0 (') ,1 287
*33B5()&/.	0 (')	1& RU 0 (') ,287387
*336%B5()&/.	0 (')	0 (')

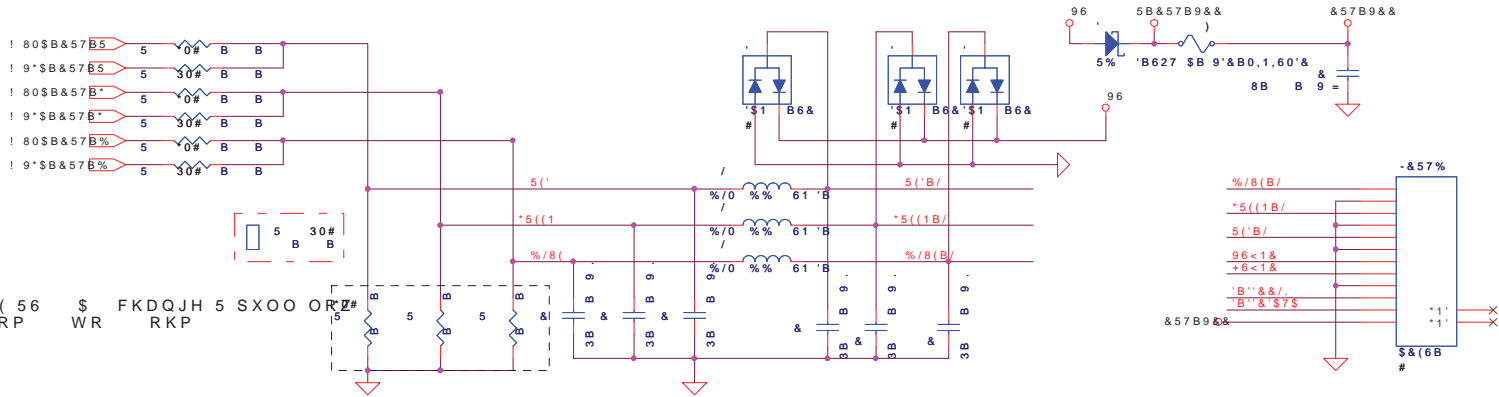
Use voltage divider resistor R379 & R380 to pull low

1%B26&B	0	FRQILJXUH DV VLOJOH HQ\$HG	0+] RXWSXW
		FRQILJXUH DV GLIIHUHQWLD	0+] RXWSXW

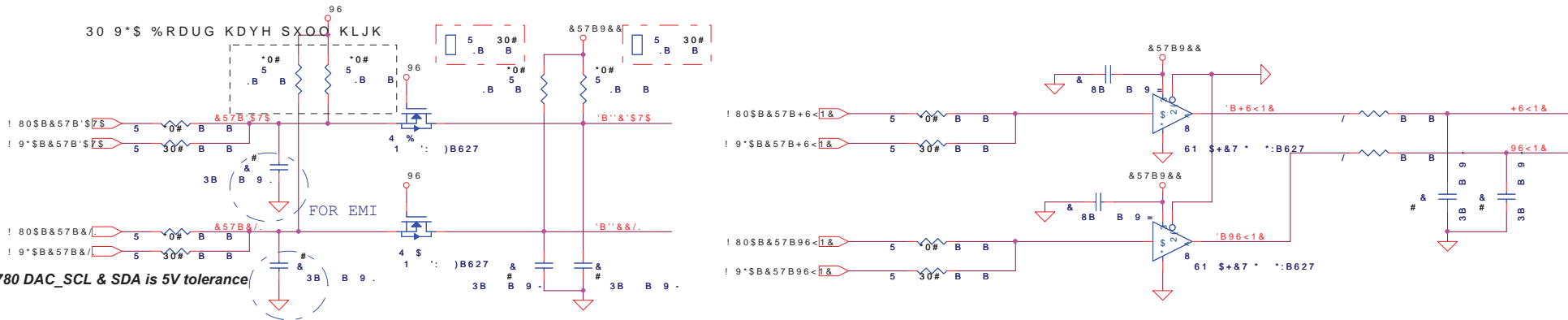
6HFUXLW1 & ODVVILFDWLRQ	&RPSDO 6HFUHW 'DWD
,VVXHG 'DWH	'HFLSKHUHG 'DWH
7+ ,6 6+(7 2) (1' ,1((5,1' 5\$; ,1' ,6 7+(35235,75\$< 35828936 2/(&7521,86 ,1& \$1' &2175,16 &21), (17, \$/ \$1' 75\$ (1,61&5(7 ,1)250\$7,21 7+ ,6 6+(7 0\$< 127, % (12550)B)568672< 2) 7+(&203(7(17' ,9,5,21 2) 5' (3\$57(17 (& (37 \$6 \$37+25, =(' %< &203\$ / ((87521,7045,34, 516+(17 125 7+(,1)250\$7,21 7' &2175,16 0\$< % (86(' %< 25 ,6&/26(' 72 \$1< 7+,5' 3\$57< ,7+287(35&2896617 2) &203\$ / ((87521,86 ,1&	

7LWOH	&RPSDO (OHFWURQLFV
	&ORFN *HQHUDWRU
6LH 'RFXPHQW 1XPEHU	
&XVWRP /\$	3
'DWH JULGD 'HFHPEHU	6KHHW RI

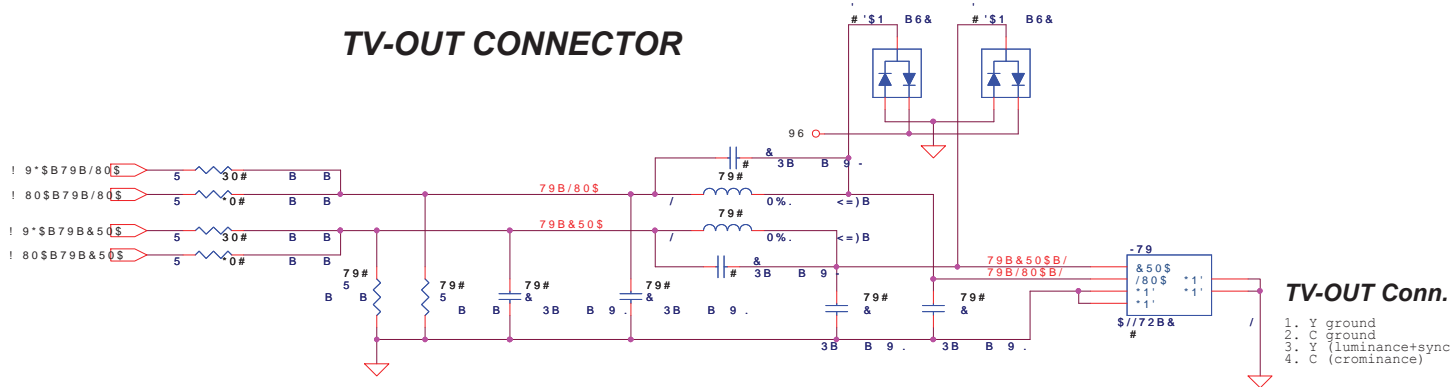
CRT CONNECTOR



30 9*\$ %RDUG KDYH SXOO KLJK

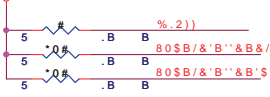
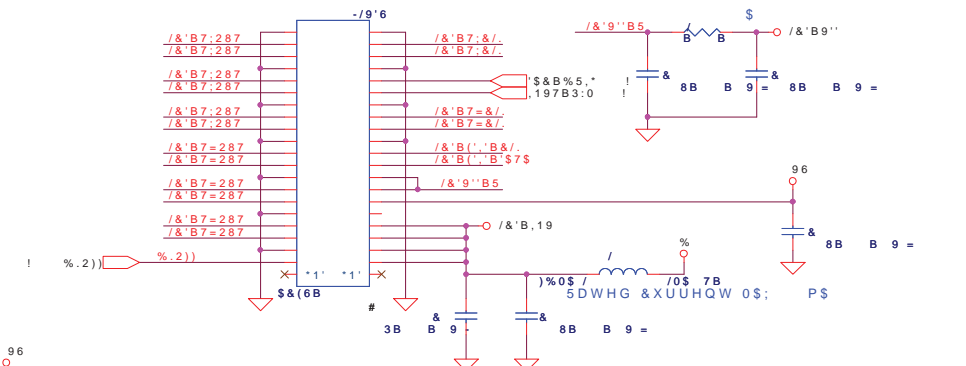
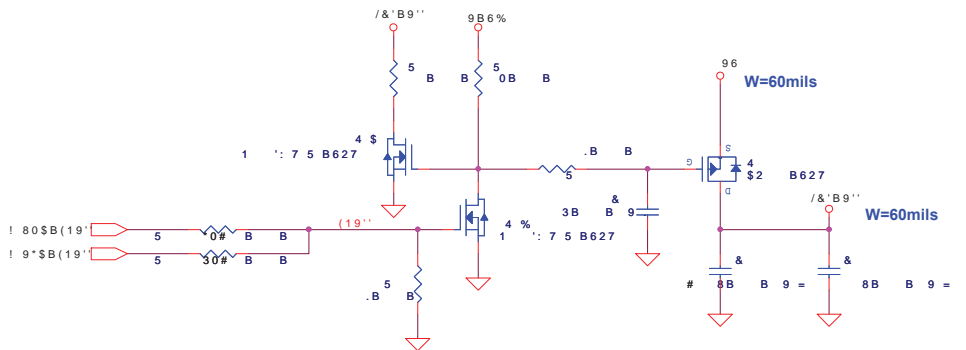
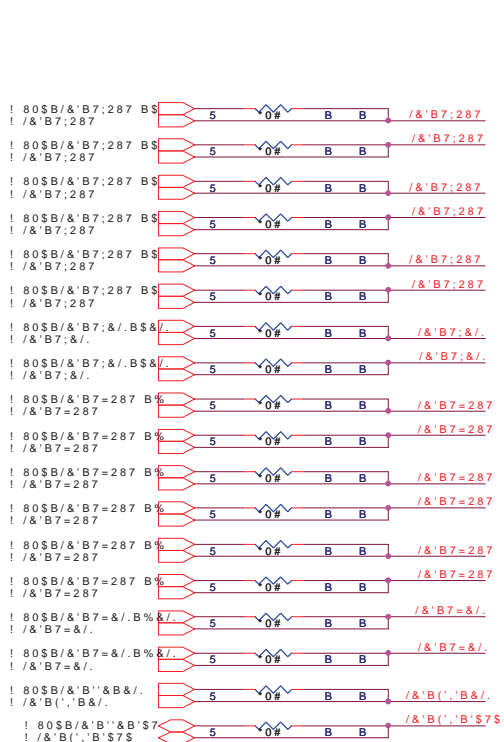


TV-OUT CONNECTOR



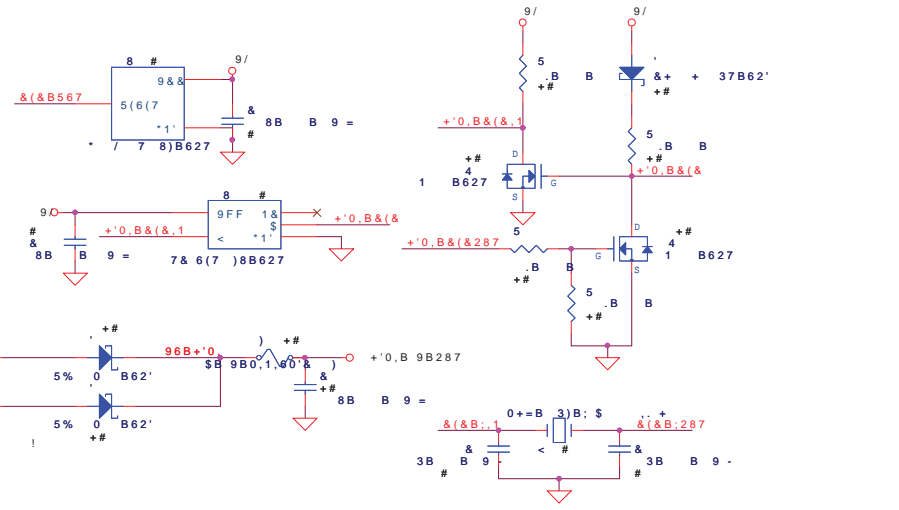
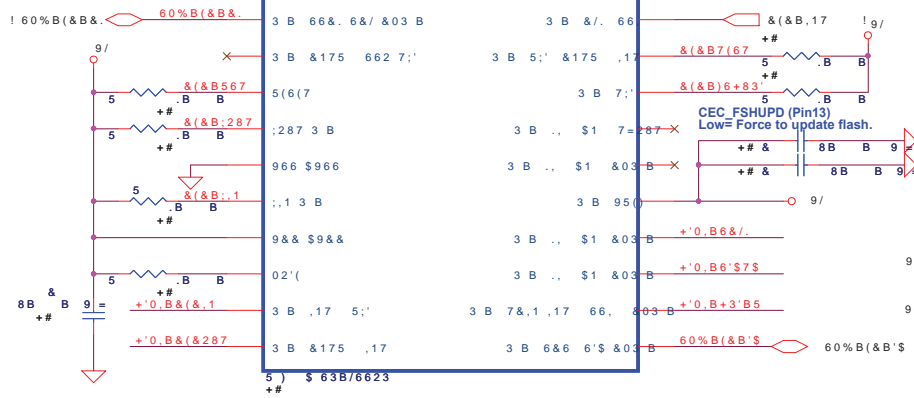
6HFJULW\ &OVVILFDWLRQ	&RPSDO 6HFUHW 'DWD	&RPSDO (OHFWURQLFV
,VVXHG 'DWH	'HFLSKHUHG 'DWH	7LWOH
$7+.6.6+(7.2)(1+.1((5.1'58;.1'.6.7+(35235.755<35229934\varnothing(7521.86.18.S1'&2175.16&21).((17.5/$ $S1'75S'1.6(85(7.1)250S7.21.7+.6.6+(17.08<127.%(1352218)858672<2)7+(820317(17.9.6.21.2)5.$ $(35570(17[;&(37.86.S87+25.=('%.<82033)/((87521.7045.3&.516+(17.125.7+(1)250S7.21.7.&2175.16$ $0S<%(86('%.<25.6&/26('72.S1<7+.5'3557<.:7+2.87(35&29.0617.2)&203S/((87521.86.18$		6LJH 'RFXPHQW 1XPEHU
		&XVWRP /\$ 3
		DWH JULGD\ 'HFHPEHU 6KHHW RI

LCD/PANEL BD. Conn.

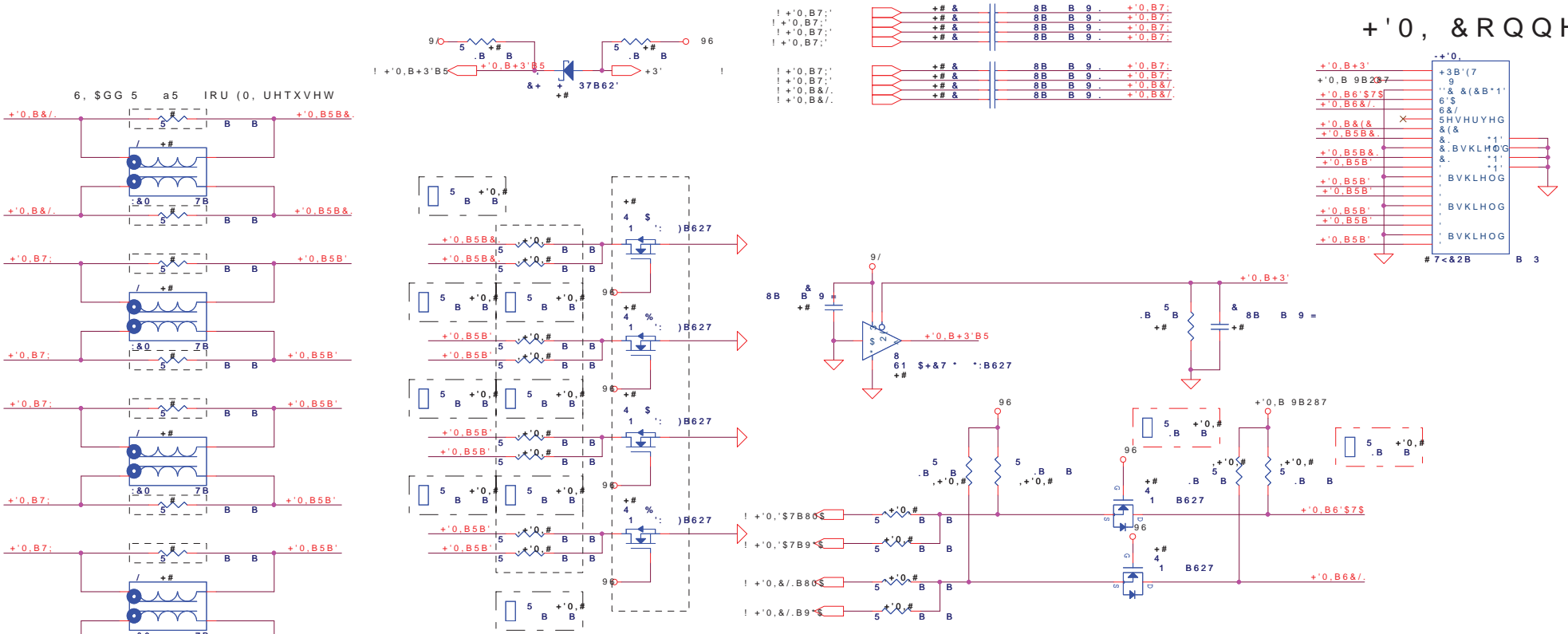


6HFULWA1	&OVVLLIFDWLRQ	&RPSDO 6HFUHW 'DWD	&RPSDO (OHFWURQLFV	
.VVXHG 'DWH	'HFLSKHUHG 'DWH	7LWOH	/&' & 211	
7+.6 6+(7 2) (1+.1((5.1" '5\$;.1" .6 7+(35235.(7\$5< 35&20&5& 0/(&7521.&6 .1& \$1' &2175.16 &21).'(17 \$/ \$1' 75\$'(6&5(7 .1)250\$7.21 7+.6 6+(7 0\$< 127 % (125&01&5&6&672< 2) 7+(&2031(7(17 .19.5.21 2) 5' (3\$570(17 [;&(37 \$6 \$37+25.=' %< &203&7/ ((&7521.70&5.3& 51&+(7(125 7+(.1)250\$7.21 .7 &2175.16 0\$< % (86(' %< 25 .6&/26(' 72 \$1< 7+.5' 3\$57< :.7+2&7(35&20 0&17 2) &203&7/ ((&7521.&6 .1&			6LH 'RFXPHQW 1XPEHU	5HY
			/ \$ 3	
		DWH JULGD\ 'HFHPEHU	6KHHW RI	

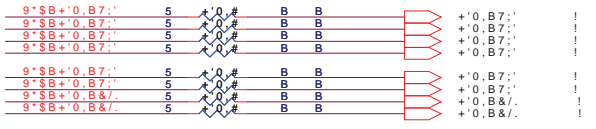
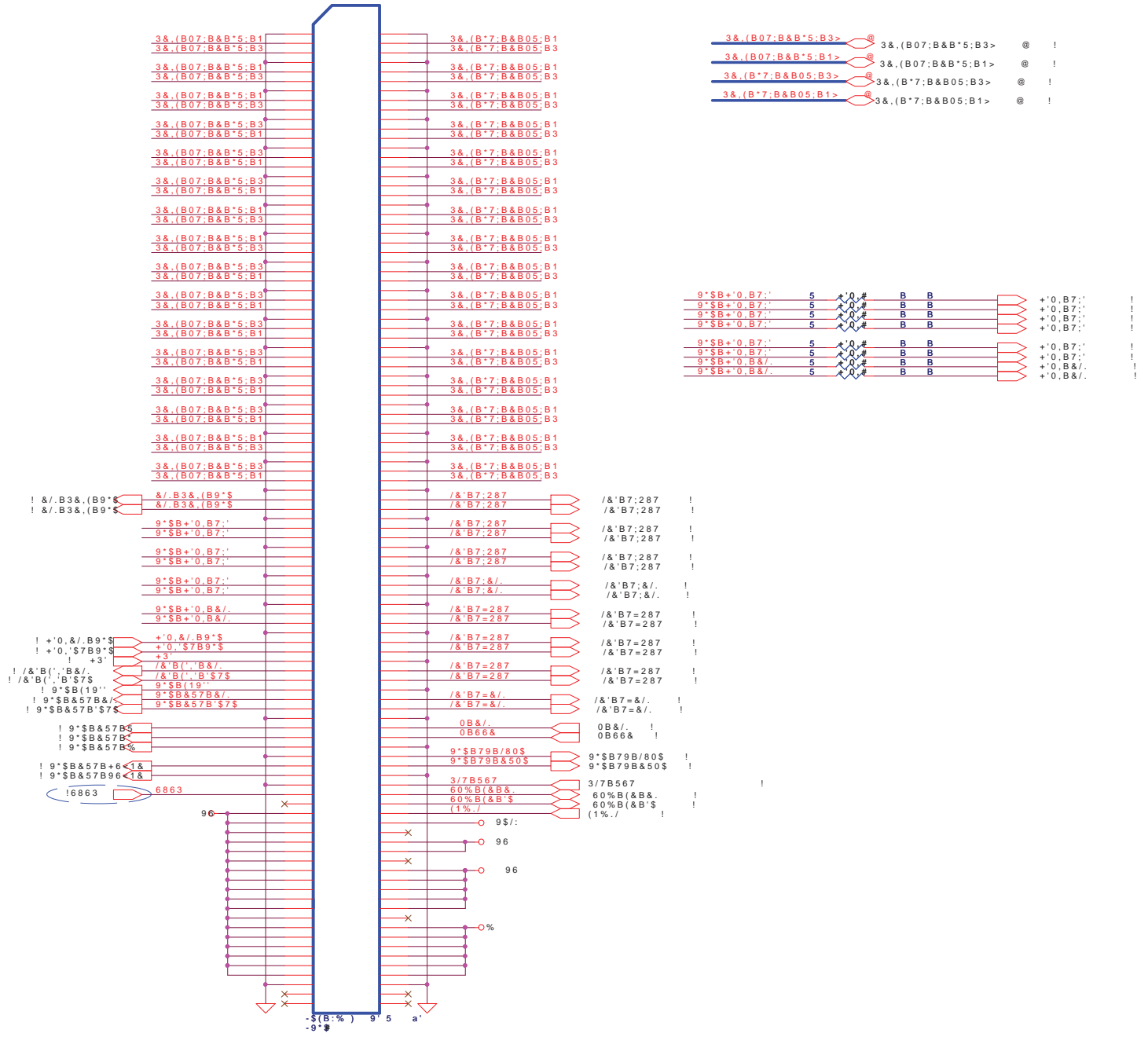
+ '0, &(& &RQWUROOHU



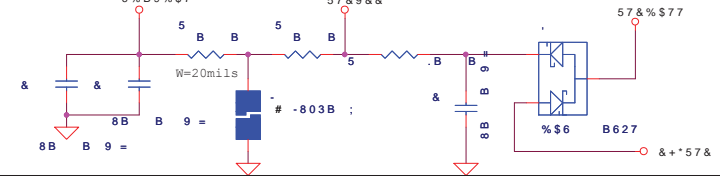
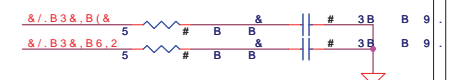
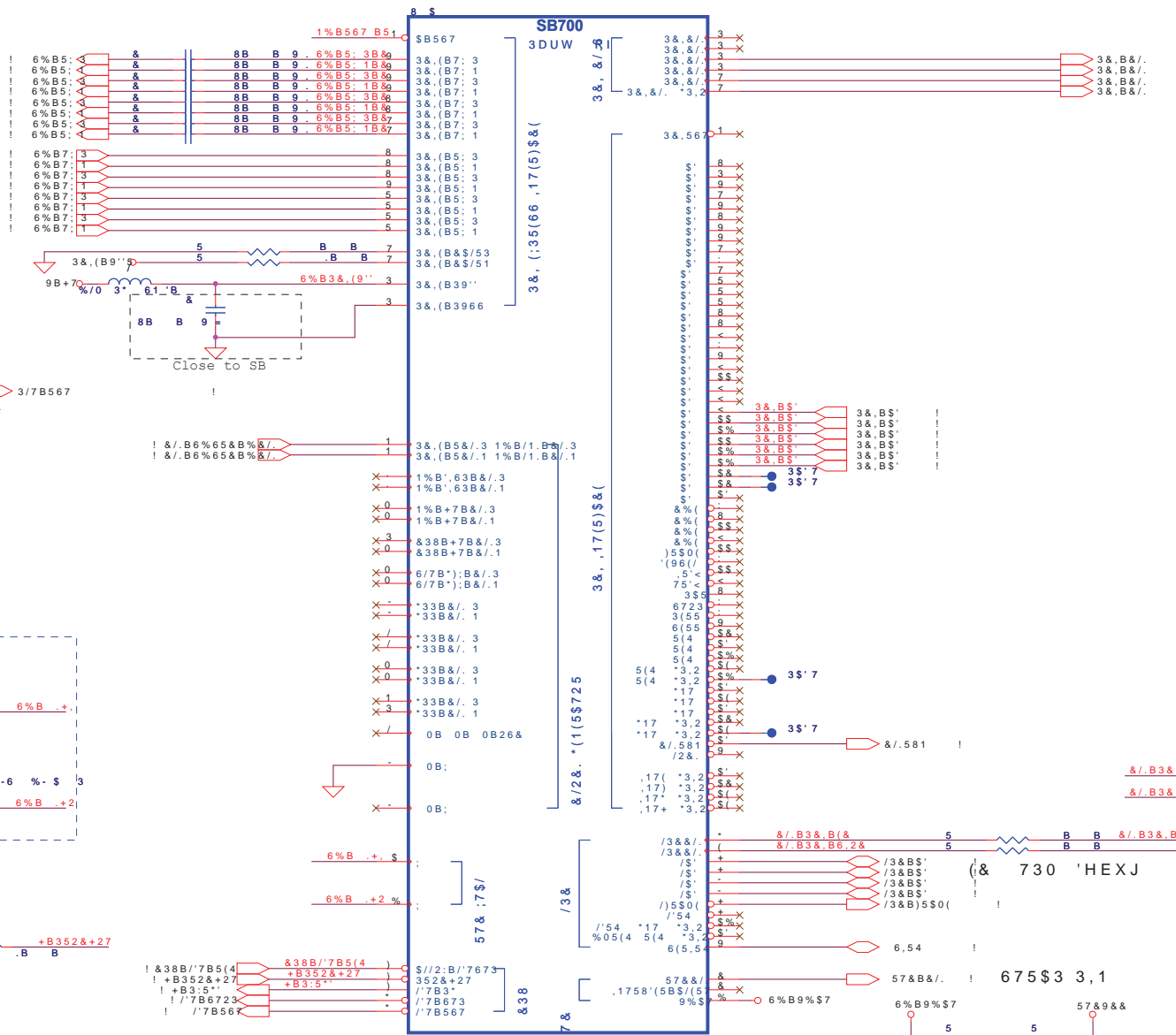
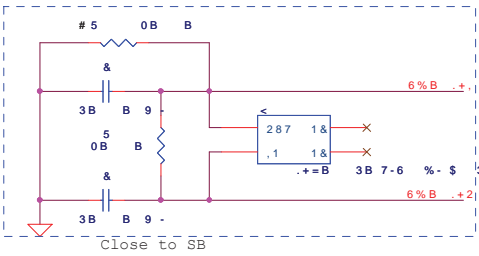
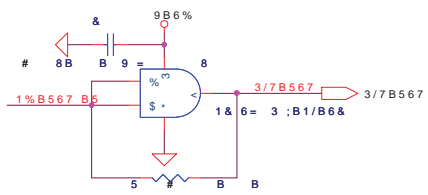
+ '0, &RQQHFWRU



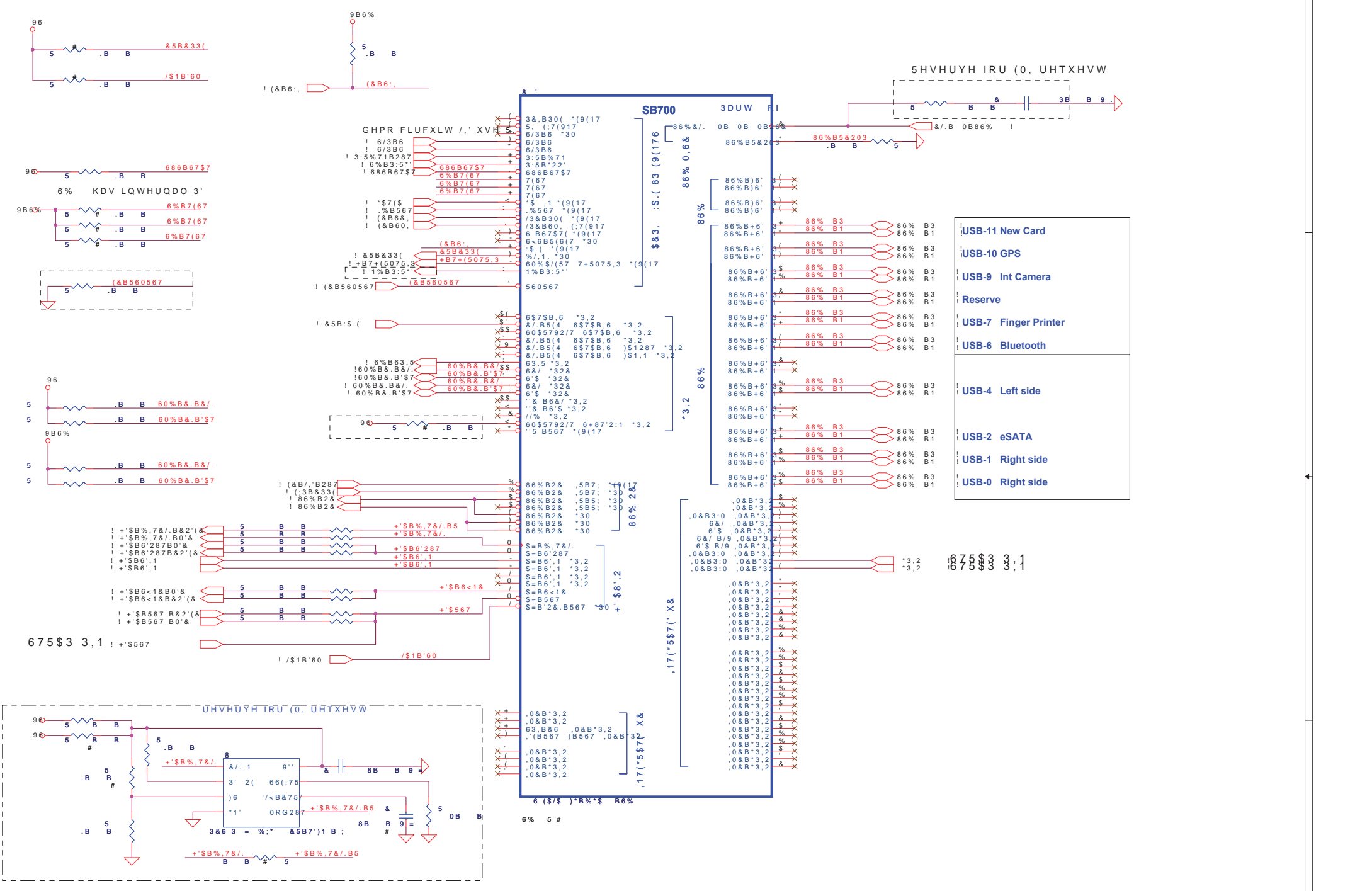
6HFUXLW1 &0DVVLILFDWL RQ	&RPSDO 6HFUHW 'DWD	&RPSDO (OHFWURQLFV
.VXXHG 'DWH	'HFLSKHUHG 'DWH	7LWOH
7+.6 6+((7 2) (1+.1)(5.1* 55;.1* .6 7+(35235.755< 35020956 0(7521.86 .1& \$1' &2175.16 &21). (17.5/ \$1' 755((6&5(7 .1)250\$7.21 7+.6 6+((7 05< 127.%(13550)B)508672< 2) 7+(&203(7(17 .9.5.21 2) 5' (3570(17 :&(37 \$6. \$37+25.= ' %& &203/ ((187521.7045.3& 516+((17 125 7+(.1)250\$7.21 7 &2175.16 05< % (86(' %< 25 .6&/26(' 72 \$1< 7+.5' 3557< .:7+207(35&20 0617 2) &203/(((187521.86 .1&		+ '0, &(& &XVWRP /\$ 3
		'DWH JULGD 'HFHPEHU 6KHHW RI



6HFxULW\ &O VVLLIFDWLRQ	&RPSDO 6HFUHW 'DWD	&RPSDO (OHFWURQLFV
,VVXHG 'DWH	'HFLSKHUHG 'DWH	7LWOH
		0:0 &RQQHFWRU
7+ .6 6+(7 2) (1* .1(5,1* '5\$;1* .6 7+(35235.(7\$5< 35220\$3\$ 0(7521,86 .1\$ \$1' &2175,16 &21).'(17,5/ \$1' 75\$1' 6(8&5(7 .1)250\$7,21 7+.6 6+(1(8 9< 127 % (135201\$3\$560672< 2) 7+(&20317(17 .9,6,21 2) 5 . (3\$570(17 [(8(37 \$6 \$37,25,=1' %< &203\$) /((87521,704\$5,3&.616+(17 125 7+(.1)250\$7,21 .7 &2175,16 0\$< % (86(' %< 25 .6&/26(' 72 \$1< 7+.5' 3\$57< .:7+207(35&20 0617 2) &203\$) /((87521,86 .1\$		6LH 'RFXPHQW 1XPEHU &XVWRP /\$ 3
		DWH JULGD\ 'HFHPEHU 6KHHW RI

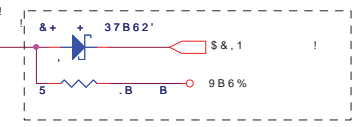
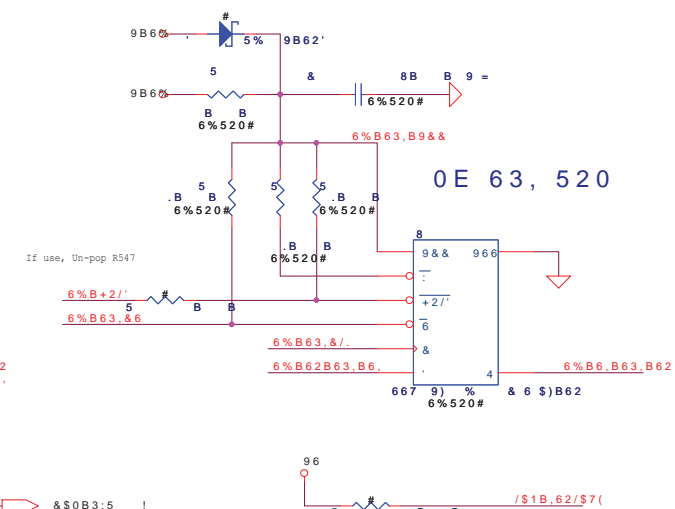
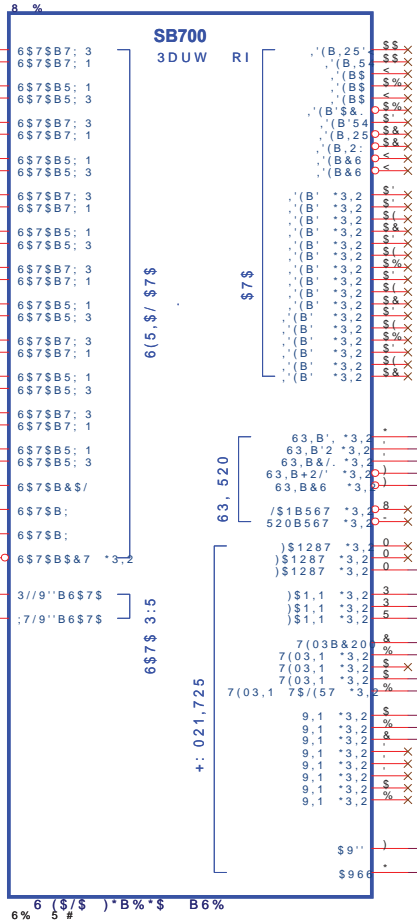
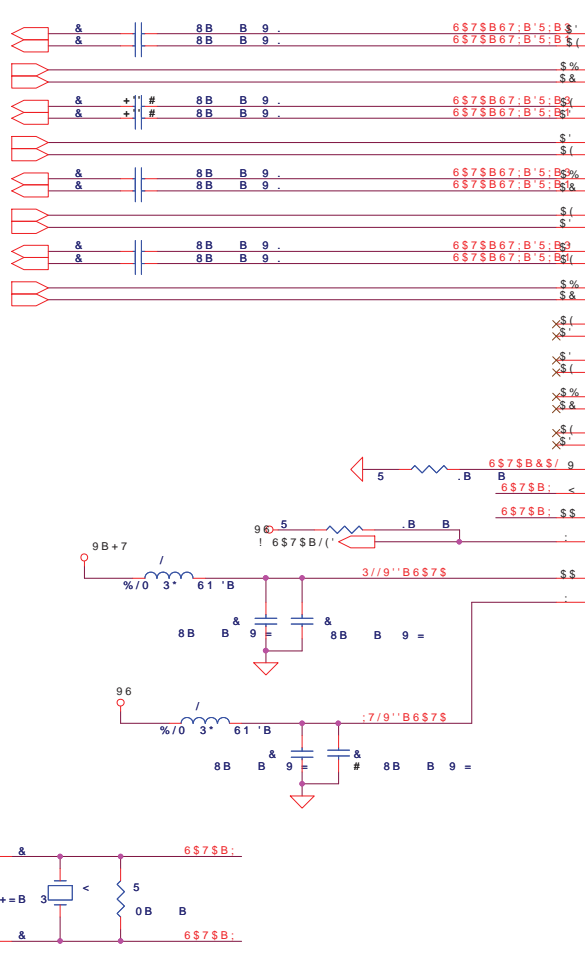


6HFULW1 & ODVVILFDWLRQ	&RPSDO 6HFUHW 'DWD	&RPSDO (OHFWURQLFV
,VXHG 'DWH	'HFLKHUG' 'DWH	7LWOH
$7+.66+(7.2)(1^*.1(5.1^*55;.1^*.67+(35235.755<3522936(7521.86 .18 \$1^*2175.16 821).'(17.5/$		6% 3&,(3&, \$&3, /3 & 57&
$\$1^*755(1.6185(7.1)250\$7.21^*7+.66+(1.05<1.27+(13550)B)458672<2)7+(8203(7(17^*.9,5,21^*2)5^*$		6LH 'RFXPHQW 1XPEHU
$(3557)(17^*(&37 \$6.837+25='^*%&20387'/(87521.7045.3.4.518+(17.1257+(1)250\$7.21^*7 &2175.16$		&XVWRP
$05<% (86(' %<25^*.6&/26('72 \$1<7+.5^*3557< .7+2#7(35&29 0617 2) &203\$/(1(7521.86 .18$		/\\$ 3
		'DWH JULGD 'HFHPEHU
		6KHHW RI

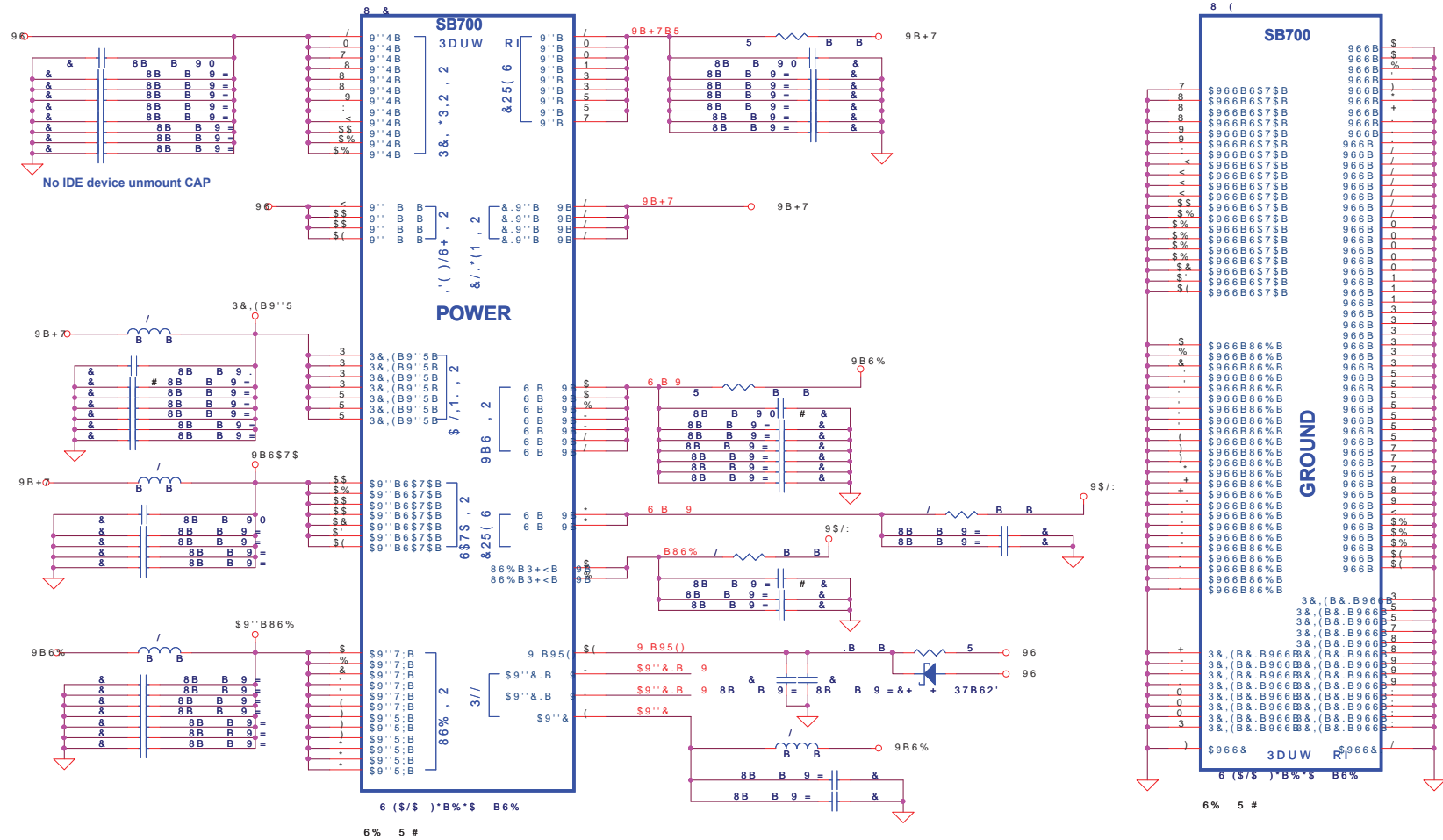


6HFUXLW& ODVVILFDWLRO		&RPSDO 6HFUHW 'DWD		&RPSDO (OHFWURQLFV	
,VVXHG'DWH		'HFLSKHUHG'DWH		7LWOH	
				6% 86% \$\$	
7+,66+(72)(1),1(51'55:,1'67+(35235,75<3502836(7(7521,86 .18 \$1' 2175,16 821), (17,\$/ \$1' 75\$(16&5(7, 1)2507,21 7+,66+(75<127+(13501)568672<2) 7+(203(7(17, 9,5,21 2) 5' (3570(17,1&(37 96 \$97+25,=' %& 2087/((87521,7965,3,4, 518+(17, 125 7+(, 1)2507,21 7, 8,2175,16 05<%(86('< 25 ,6&/26(' 72 \$1< 7+,5' 3557< .,7+287(35&288617 2) &203\$/((7521,86 .18				6L# 'RFXPHQW 1XPEHU	
				/ \$ 3	
				DWH JULGD' 'HFHPEHU (6KHHW RI	

HDD1
HDD2
eSATA
ODD



6HFJULW1 & ODVVILFDWLRQ	&RPSDO 6HFUHW 'DWD	&RPSDO (OHFWURQLFV
,VXHG 'DWH	'HFLSKHUG 'DWH	7LWOH
7+.6 6+(7 2) (1+.1(5.1' '5\$;.1' .6 7+(35235.75< 3502036 07&7521,86 .1& \$1' &2175.16 &21).'(17 \$/ \$1' 75\$'(1.6&5(7. -1)250\$7.21 7+.6 6+(7 2) (1+.1(5.1' '5\$;.1' .6 7+(35235.75< 3502036 07&7521,86 .1& \$1' &2175.16 &21).'(17 \$/ (3\$570(17 [;&(37 \$6 \$57+25,=' %< &0387' /((67521,70&5.3& 516+(17 125 7+(-1)250\$7.21 7+.6 6+(7 2) (1+.1(5.1' '5\$;.1' .6 7+(35235.75< 3502036 07&7521,86 .1& \$1' &2175.16 &21).'(17 \$/		6% 6\$7\$, '(63,
0\$< % (86(' %< 25 .6&/26(' 72 \$1< 7+.5' 3\$57< .:7+207(35&20 0617 2) &203\$' /((67521,86 .1& \$1' &2175.16 &21).'(17 \$/		6LH 'RFXPHQW 1XPEHU &XVWRP /\$ 3
		'DWH JULGD 'HFHPEHU 6KHHW RI

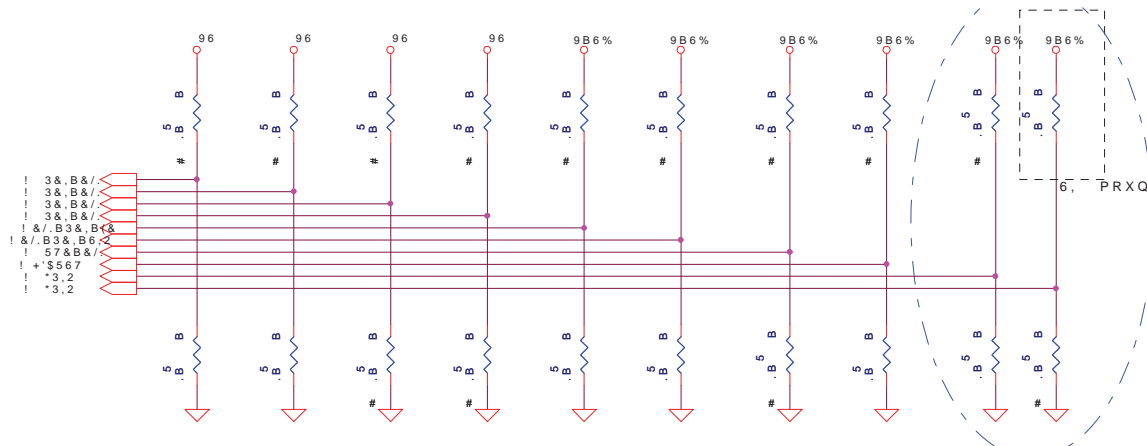


6HFJULW1 & ODVVILFDWLRQ	&RPSDO 6HFUHW 'DWD	&RPSDO (OHFWURQLFV
,VXHG 'DWH	'HFLSKUHG 'DWH	7LWOH
7+.6 6+(7 2) (1+.1(51+ '5S;:1+ .6 7+(35235.755< 35020936 0/(&7521.86 .18 \$1' &2175.16 &21).(17.\$/ \$1' 75\$ (1.6&5(7. 1)250\$7.21 7+.6 6+(17 0\$< 127.%(12500)0\$508672< 2) 7+(&203(7(17. 1.9.5.21 2) 5. (3\$570(17. (;&37 \$6. \$37+25. =1' %< &203\$7 /((67521.7045.34.516+(17. 125 7+(.1)250\$7.21 7. &2175.16 0\$< %(86(' %< 25 .6&/26(' 72 \$1< 7+.5' 3\$57< .:7+2#7(35&20 0617 2) &203\$ / ((&7521.86 .18		6% 5 #
		6LH 'RFXPHQW 1XPEHU
		&XVWRP /\$ 3
		'DWH JULGD 'HFHPEHU 6KHHW RI

REQUIRED STRAPS

127(6% +\$6 ,17(51\$/ . 38// 83 5(6,6725)25 57&B&./.

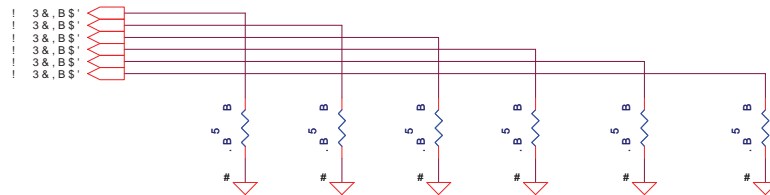
	PCI_CLK2	PCI_CLK3	PCI_CLK4	PCI_CLK5	LPC_CLK0	LPC_CLK1	RTC_CLK	AZ_RST_CD#	GP17	GP16
PULL HIGH	BOOTFAIL TIMER ENABLED	USE DEBUG STRAPS	RESERVED	RESERVED	ENABLE PCI MEM BOOT	CLKGEN ENABLED	INTERNAL RTC DEFAULT	EC ENABLED	Internal pull up H,H = Reserved H,L = SPI ROM L,H = LPC ROM (Default) L,L = FWH ROM	
PULL LOW	BOOTFAIL TIMER DISABLED DEFAULT	IGNORE DEBUG STRAPS DEFAULT			DISABLE PCI MEM BOOT DEFAULT	CLKGEN DISABLED DEFAULT	EXT. RTC 3' RQ DSSO\ .+] WR 57&B&./.	EC DISABLED DEFAULT		



DEBUG STRAPS

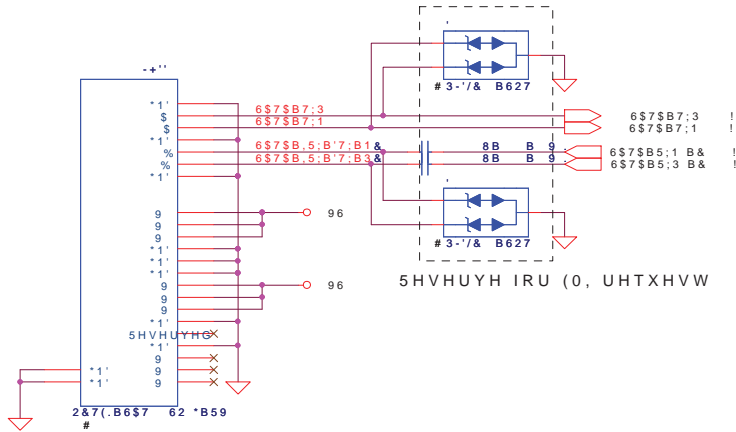
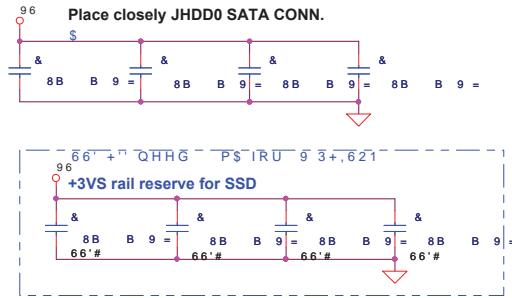
6% +\$6 . ,17(51\$/ 38)25 3&,B\$'> @ Need to confirm if SB SPI ROM will mount

	PCI_AD28	PCI_AD27	PCI_AD26	PCI_AD25	PCI_AD24	PCI_AD23
PULL HIGH	USE LONG RESET DEFAULT	USE PCI PLL DEFAULT	USE ACPI BCLK DEFAULT	USE IDE PLL DEFAULT	USE DEFAULT PCIE STRAPS DEFAULT	RESERVED
PULL LOW	USE SHORT RESET	BYPASS PCI PLL	BYPASS ACPI BCLK	BYPASS IDE PLL	USE EEPROM PCIE STRAPS	

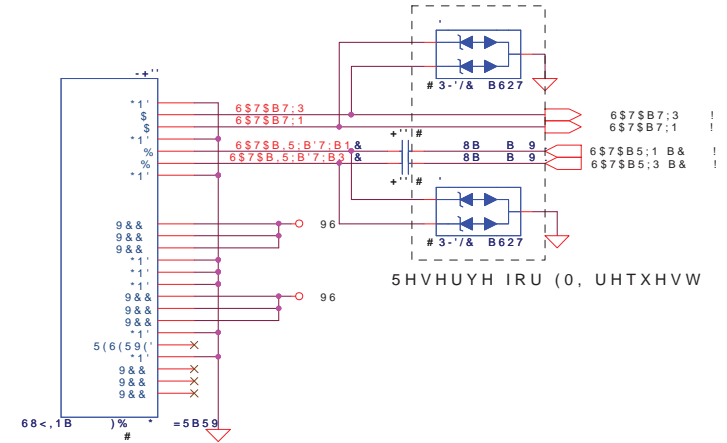
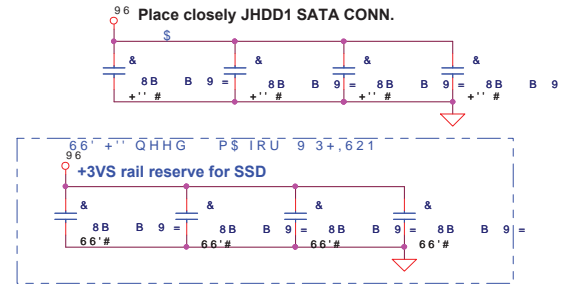


6HFxULW1 &ODVVILFDWLRQ	&RPSDO 6HFUHW 'DWD	&RPSDO (OHFWURQLFV
,VXHG 'DWH	'HLSKHUHG 'DWH	7LWOH
		6% 675\$36
7+,6 6+(7 2) (1',1(5,1' 5\$:,1' .6 7+(35235.(7\$5< 350209\$6 0'(&7521,&6 .1& \$1' &2175,16 &21).(17,\$/ \$1' 75\$ (6&5(7 .1)250\$7,21 7+,6 6+(17 0\$< 127 % (155018)4508672< 2) 7+(&203(7(17 .9,5,21 2) 5' (3\$57)(17 :&(37 \$6 \$37+25,=' %< &203\$ / ((&7521,704\$5,34,518+(17 155 7+(.1)250\$7,21 7' &2175,16 0\$< % (86(' %< 25 .6&/26(' 72 \$1< 7+,5' 3\$57< .:7+207(35&20 0617 2) &203\$ / ((&7521,&6 .1&		6LH 'RFXPHQW 1XPEHU &XVWRP /\$ 3
		DWH JULGD\ 'HFHPEHU 6KHHW RI

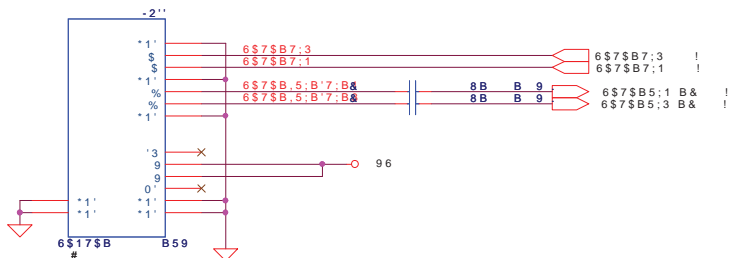
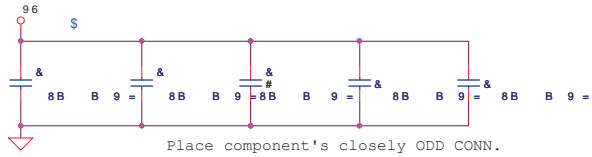
SATA HDD1 Conn.



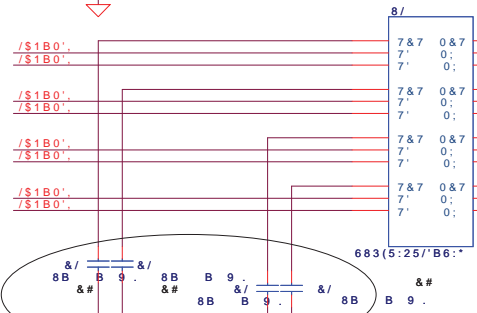
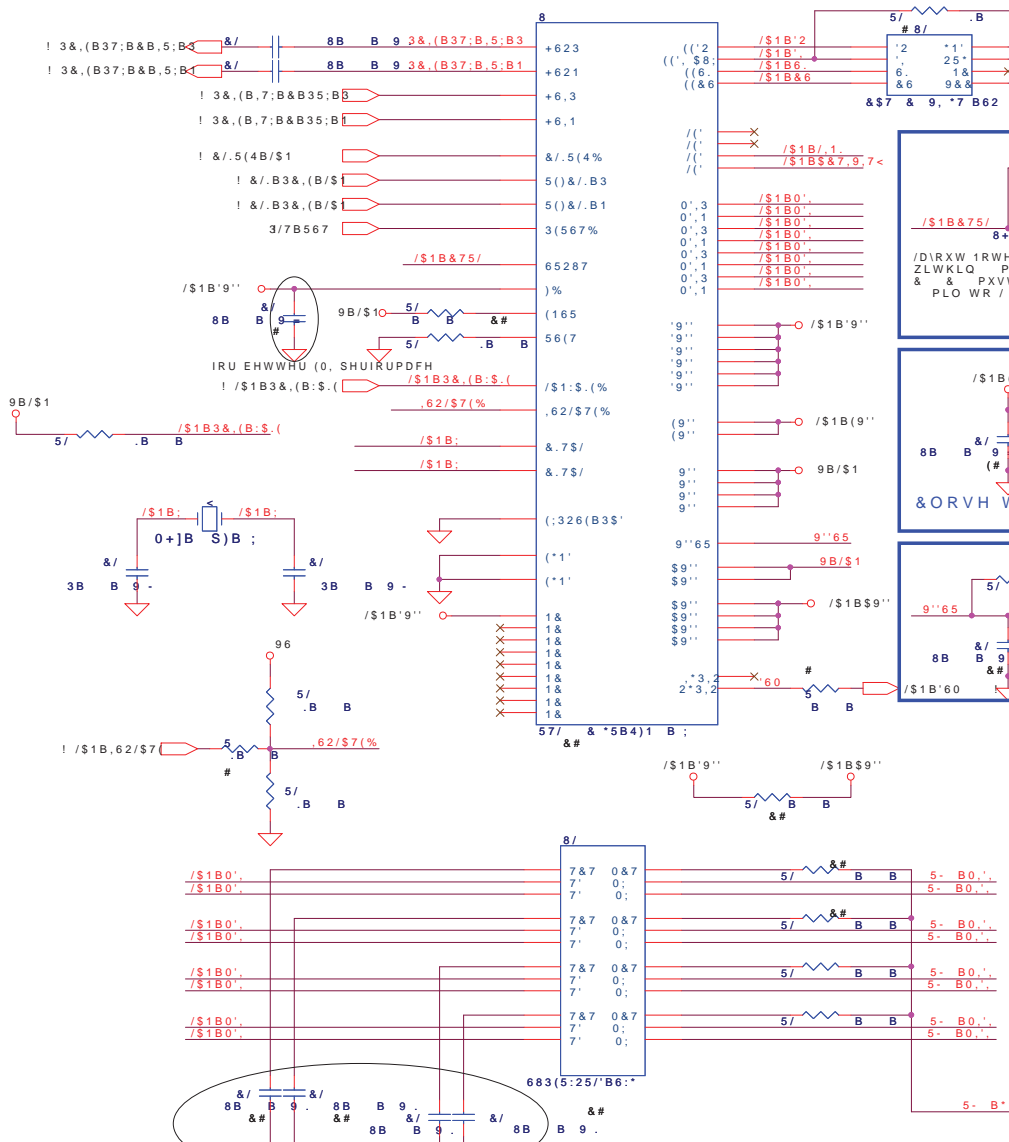
SATA HDD2 Conn.



SATA ODD Conn

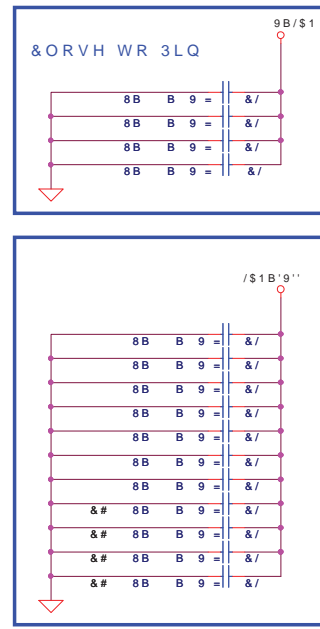
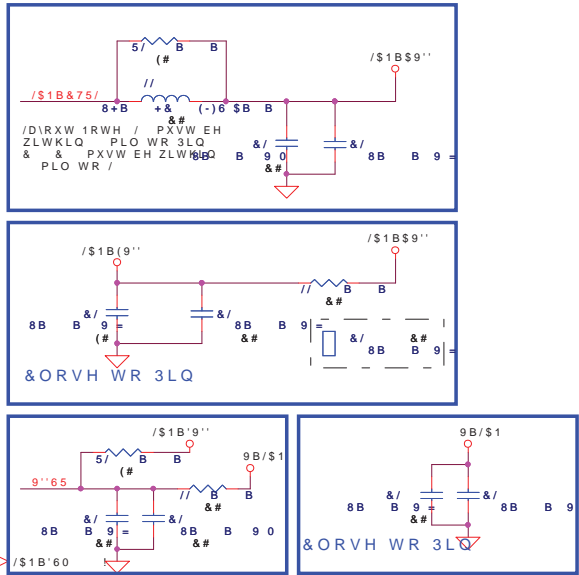


6HFULW1 &ODVVILFDWLRQ	&RPSDO 6HFUHW 'DWD	&RPSDO (OHFWURQLFV
,VVXHG 'DWH	'HFLSKHUHG 'DWH	7LWOH
7+.6 6+(7 2) (1'.1(5.1' '5\$;.1' .6 7+(35235.(7\$5< 35220936 0(7521.&6 .1& \$1' &2175.16 &21).'(17.\$/ \$1' 75\$ (6&5(7 .1)250\$7.21 7+.6 6+(17 0\$< 127.%(12501)B)508672< 2) 7+(&203(7(17 .9.5.21 2) 5' (3\$570(17 (;&(37 36. \$37+25.=(' %< &203\$7 /((87521.7045.34. 516+(17 125 7+(.1)250\$7.21 7 &2175.16 0\$< %(86(' %< 25 .6&/26(' 72 \$1< 7+.5' 3\$57< .:7+207(35&29 0617 2) &203\$7 /((87521.&6 .1&		6\$7\$ +' 2''
		6L# 'RFXPHQW 1XPEHU
		&XVWRP /\$ 3
		'DWH JULGD\ 'HFHPEHU (6KHHW RI

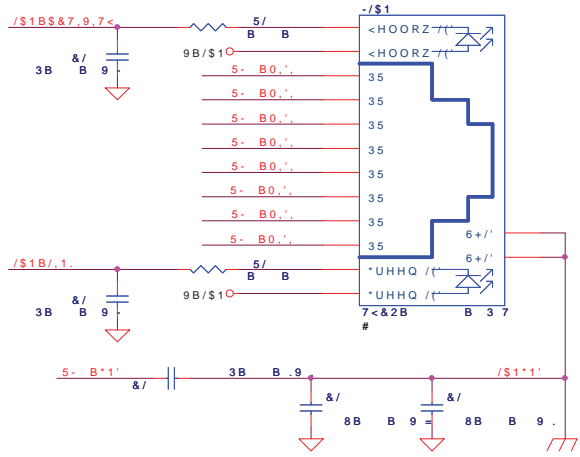


SLO DVVLJOPHQW VDEOH IRU GLIIHUHQFH

3LO	&	7	7	7	7	7	7	7	7	7
65287	1	1	1	1	1	1	1	1	1	1
13	1	1	1	1	1	1	1	1	1	1
9	1	1	1	1	1	1	1	1	1	1
0.3	1	1	1	1	1	1	1	1	1	1
0.1	1	1	1	1	1	1	1	1	1	1
9	1	1	1	1	1	1	1	1	1	1
0.3	1	1	1	1	1	1	1	1	1	1
0.1	1	1	1	1	1	1	1	1	1	1
9	1	1	1	1	1	1	1	1	1	1
0.3	1	1	1	1	1	1	1	1	1	1
0.1	1	1	1	1	1	1	1	1	1	1
9	1	1	1	1	1	1	1	1	1	1
0.3	1	1	1	1	1	1	1	1	1	1
0.1	1	1	1	1	1	1	1	1	1	1
9	1	1	1	1	1	1	1	1	1	1
0.3	1	1	1	1	1	1	1	1	1	1
0.1	1	1	1	1	1	1	1	1	1	1
9	1	1	1	1	1	1	1	1	1	1
0.3	1	1	1	1	1	1	1	1	1	1
0.1	1	1	1	1	1	1	1	1	1	1
9	1	1	1	1	1	1	1	1	1	1
0.3	1	1	1	1	1	1	1	1	1	1
0.1	1	1	1	1	1	1	1	1	1	1
9	1	1	1	1	1	1	1	1	1	1
0.3	1	1	1	1	1	1	1	1	1	1
0.1	1	1	1	1	1	1	1	1	1	1
9	1	1	1	1	1	1	1	1	1	1
0.3	1	1	1	1	1	1	1	1	1	1
0.1	1	1	1	1	1	1	1	1	1	1
9	1	1	1	1	1	1	1	1	1	1
0.3	1	1	1	1	1	1	1	1	1	1
0.1	1	1	1	1	1	1	1	1	1	1
9	1	1	1	1	1	1	1	1	1	1
0.3	1	1	1	1	1	1	1	1	1	1
0.1	1	1	1	1	1	1	1	1	1	1
9	1	1	1	1	1	1	1	1	1	1
0.3	1	1	1	1	1	1	1	1	1	1
0.1	1	1	1	1	1	1	1	1	1	1
9	1	1	1	1	1	1	1	1	1	1
0.3	1	1	1	1	1	1	1	1	1	1
0.1	1	1	1	1	1	1	1	1	1	1
9	1	1	1	1	1	1	1	1	1	1
0.3	1	1	1	1	1	1	1	1	1	1
0.1	1	1	1	1	1	1	1	1	1	1
9	1	1	1	1	1	1	1	1	1	1
0.3	1	1	1	1	1	1	1	1	1	1
0.1	1	1	1	1	1	1	1	1	1	1
9	1	1	1	1	1	1	1	1	1	1
0.3	1	1	1	1	1	1	1	1	1	1
0.1	1	1	1	1	1	1	1	1	1	1
9	1	1	1	1	1	1	1	1	1	1
0.3	1	1	1	1	1	1	1	1	1	1
0.1	1	1	1	1	1	1	1	1	1	1
9	1	1	1	1	1	1	1	1	1	1
0.3	1	1	1	1	1	1	1	1	1	1
0.1	1	1	1	1	1	1	1	1	1	1
9	1	1	1	1	1	1	1	1	1	1
0.3	1	1	1	1	1	1	1	1	1	1
0.1	1	1	1	1	1	1	1	1	1	1

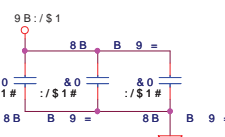
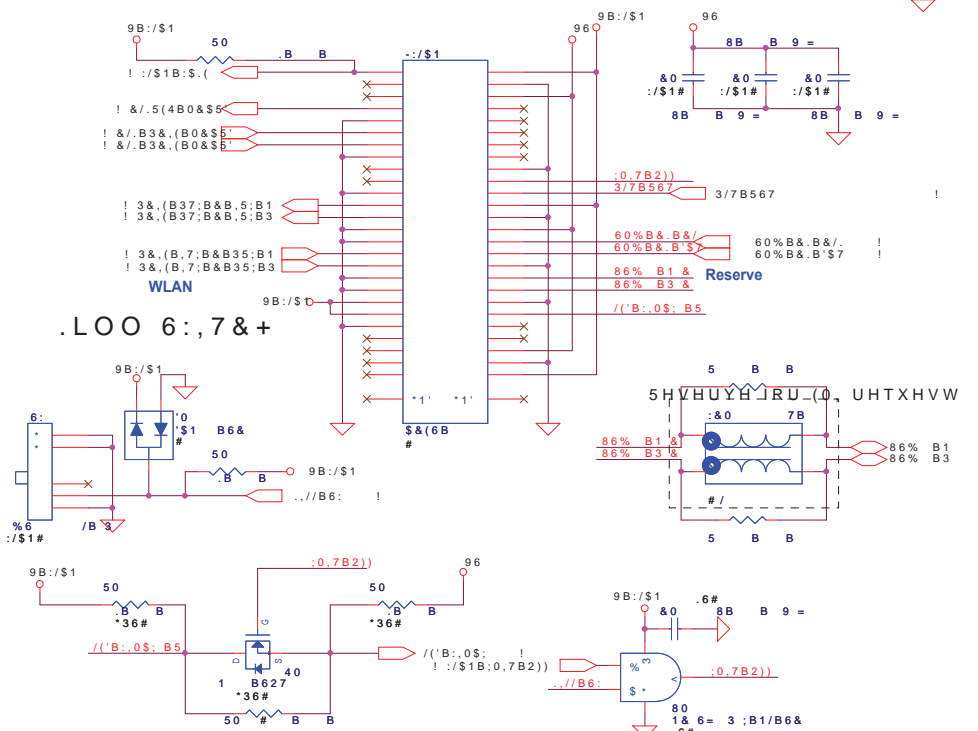


LAN Conn.

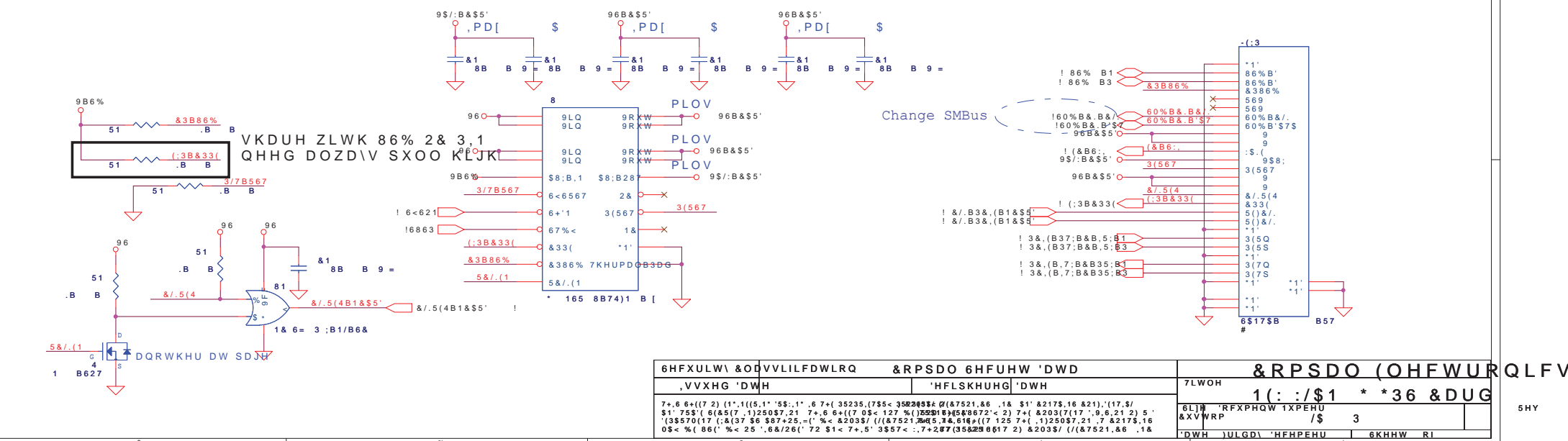
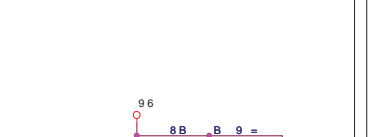
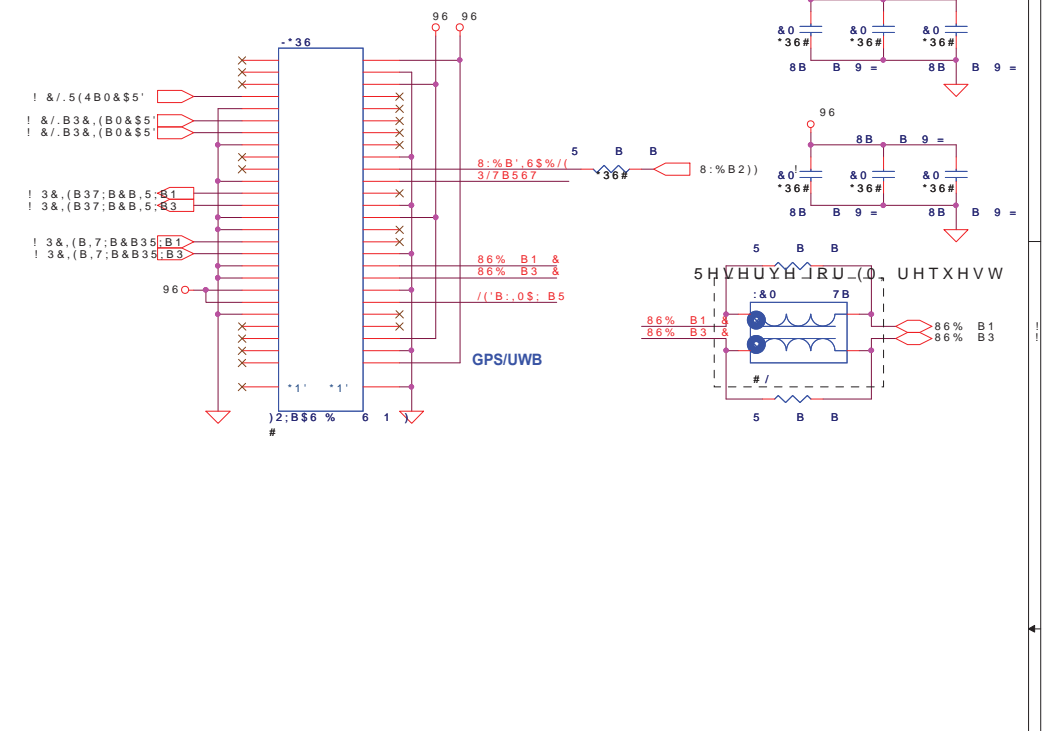


6HFUXLW\ &OVVILFDWLKQ		&RPSDO 6HFUHW 'DWD		&RPSDO (OHFWURQLFV	
,VVXHG 'DWH		'HFLSKHUHG 'DWH		7LWOH	
				57/ & (/\$1	
7+.6.6+(7.2)(1+.1)(5.1+'58;1'.6.7+(35235.755<3582893# &7521.86 .18 \$1' &2175.16 &21). (17.5/ \$1' 75\$1'61&5(7' -)250\$7.21 7+.6.6+(7.08<1.27 % (1552818&68672< 2) 7+(&20317(17'.9.6.21 2) 5' (3\$570(17'& [37.58 \$37.25= (1' % &2035/ (1/&7521.7845.34.618+(17.125 7+(-)1250\$7.21'.7 &2175.16 0\$< % (86(' % < 25 .6&/26(' 72 \$1< 7+.5' 3557< .:7+2#7(35&28 0617 2) &2035/ ((87521.86 .18		6LJH 'RFXPHQW 1XPEHU		/ \$ 3	
				DW\ JULGD\ 'HFPEHU	
				6KHHW RI	

PCIe Mini Card for WLAN

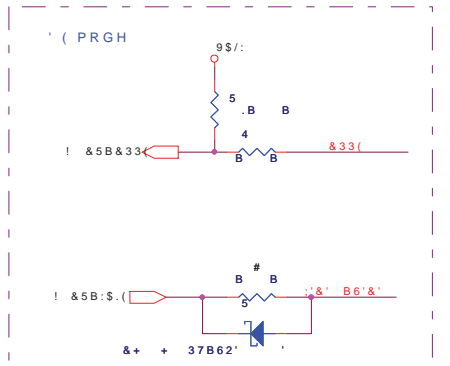
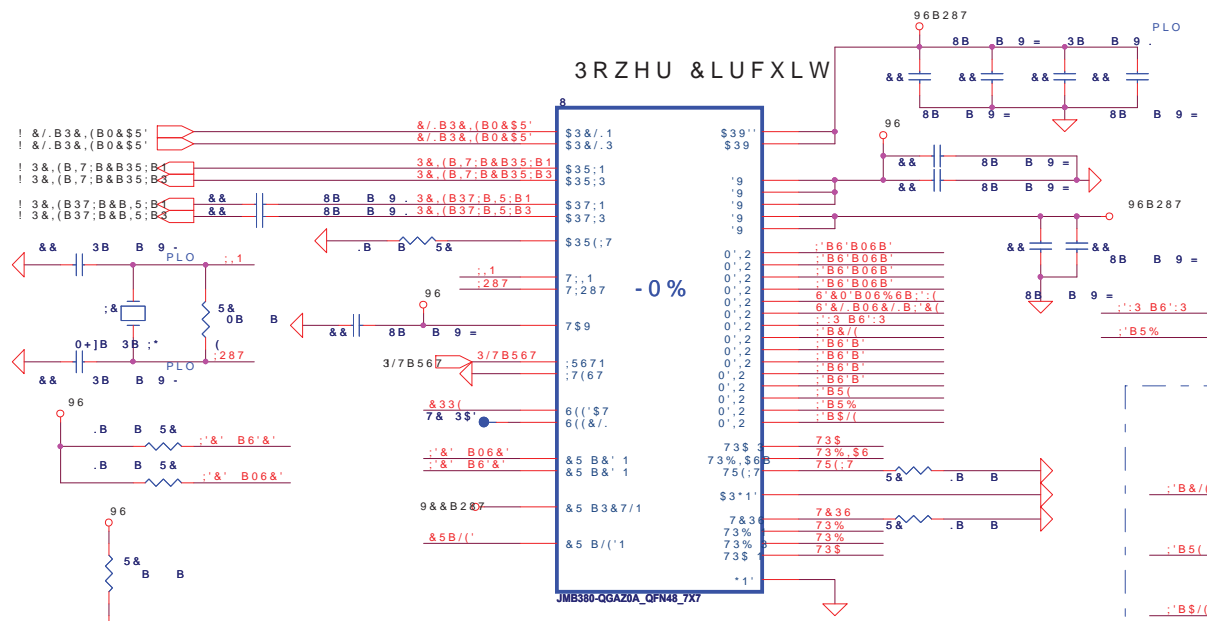


PCIe Mini Card GPS/UWB



6HFULW1 & ODVVILFDWLRQ	&RPSDO 6HFUHW 'DWD	&RPSDO (OHFWURQLFV
.VVXHG 'DWH	'HFLSKHUHG 'DWH	7LWOH
7+.6.6+(7.2) (1+.1)(5.1+ '5\$;:1+ .6.7+(35235.7\$5< 35020936 @(&7521.&6 .1& \$1' &2175.16 &21). (17.\$/ \$1' 75\$ (6&5(7. -1)250\$7.21 7+.6.6+(17.0\$< 127.% (13501)B&50672< 2) 7+(&203(7(17. -9.5.21 2) 5' (3\$57(1(7. & (37.36. \$37+25.= ' % &2(33\$7 (1(87521.7045.3&.516+(17. 125.7+(. -1)250\$7.21 7. &2175.16 0\$< % (86(' % 25 .6&/26(' 72 \$1< 7+.5' 3\$57< .:7+207(35&2090617.2) &203\$7 (1(87521.&6 .1&		1(: :/\$1 * *36 &DUG
6LH# 'RFXPHW 1XPEHU		3
'DWH JULGD\ 'HFHPEHU		6KHHW RI

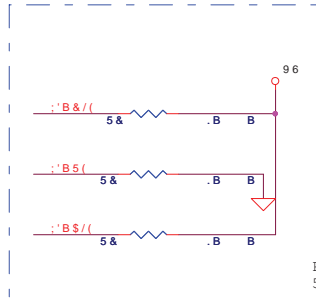
3RZHU & LUFXLW



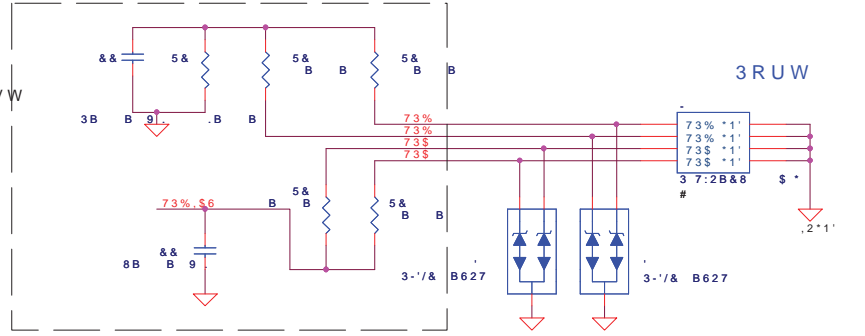
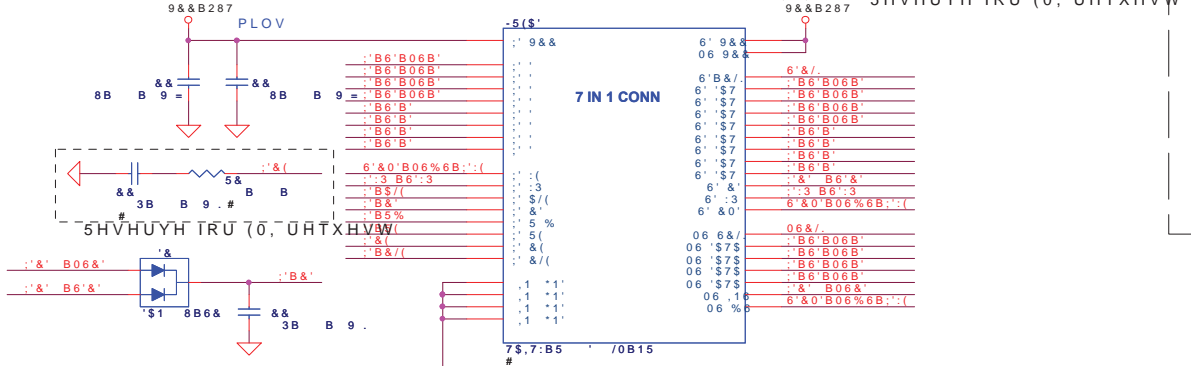
6WUDSSLQJ VHWLQJ

Pin name	Description	
	High	low
MDIO7	on-board★	add-in card
MDIO12	+VCC_OUT high active	+VCC_OUT low active★
MDIO14	CR_LED high active★	CR_LED low active

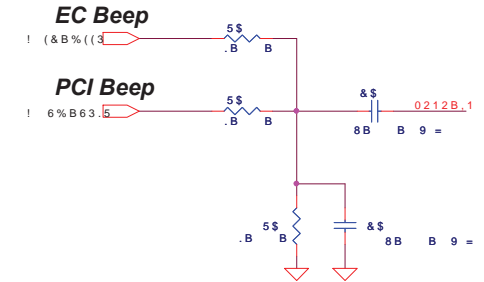
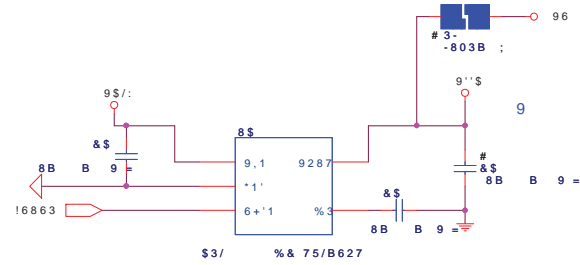
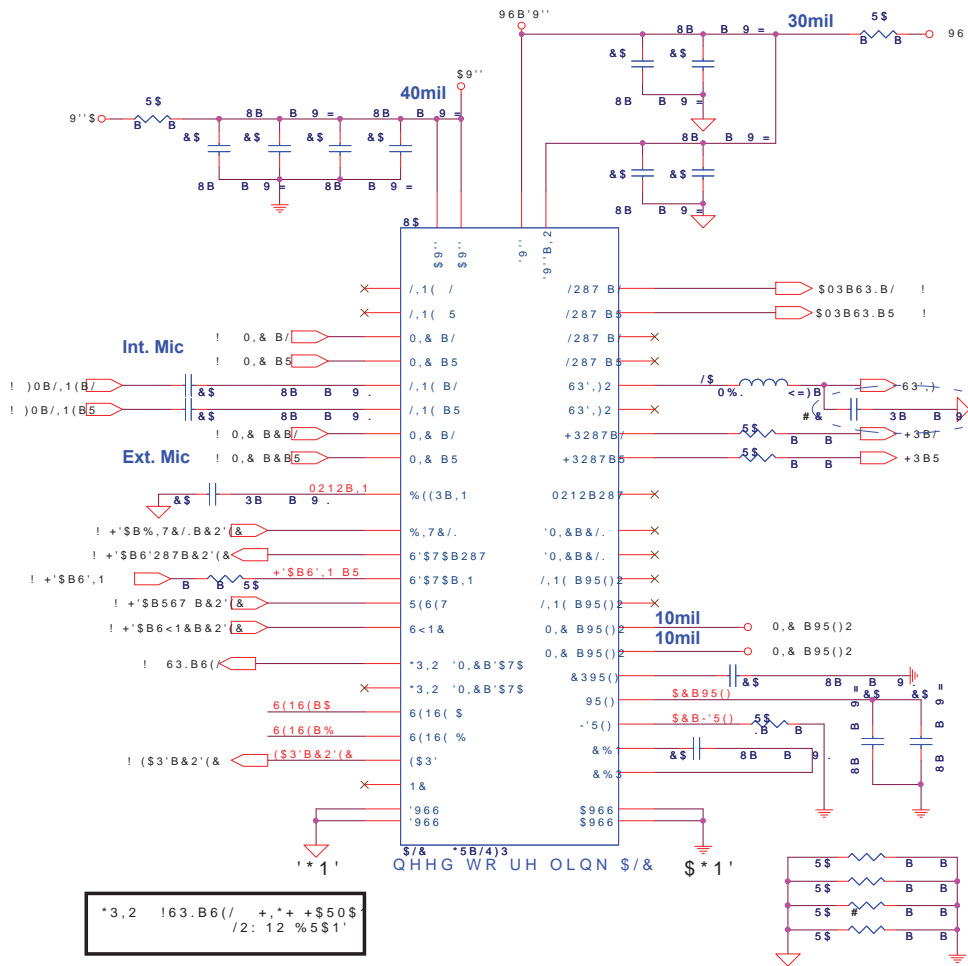
P.S VCC_OUT also can out 3V with 250mA for 5IN1 using. (MDIO12 can't be seted after MP IC)



& DUG 5HDGHU & RQQHFWRU



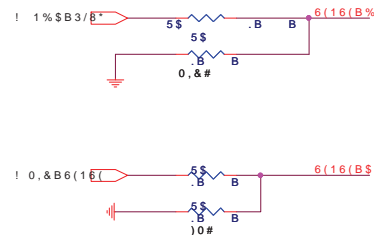
6HFULW & OVVILFDWLRQ	& RPSDO 6HFUHW 'DWD	& RPSDO (OHFWURQLFV
,VXXHG 'DWH	'HFLSKHUHG 'DWH	7LWOH
7+ 6 6+(7 2) (1+ 1)(5,1+ '5\$;:1' .6 7+(35235.(75\$ < 352289\$# 0(7521,86 .1\$ \$1' 2175,16 421),(17,5/ \$1' 75\$1' 6(8\$17' .1)250\$7,21 7+.6 6+(17 0\$ < 127 % (155281\$)6\$0672 < 2) 7+(420317(17' .9,6,21 2) 5' (3\$570(17' (4(37 \$6 \$37+25,=1' % < 4203\$1' (1(87521,2045,34,614+(17 125 7+(.1)250\$7,21' .7 42175,16 0\$ < % (86(' % < 25 .6&/26(' 72 \$1 < 7+.5' 3\$57 < .:7+207(35228 0617 2) & 203\$1' (1(87521,86 .1\$		6LH 'RFXPHQW 1XPEHU & XVWRP /\$ 3
		DWH JULGD\ 'HFHPEHU (6KHHW RI



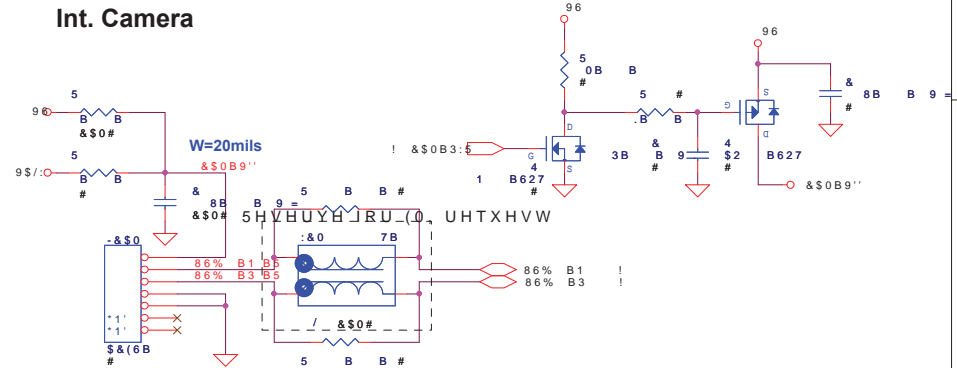
*3,2 163.B6(/ +, '+ + \$50\$ /2: 12 % 5\$1'

Sense Pin	Impedance	Codec Signals	Function
SENSE A	39.2K	PORT-A (PIN 39, 41)	Ext. MIC
	20K	PORT-B (PIN 21, 22)	FM tuner
	10K	PORT-C (PIN 23, 24)	SPK out
	5.1K	PORT-D (PIN 35, 36)	
SENSE B	39.2K	PORT-E (PIN 14, 15)	Int. MIC
	20K	PORT-F (PIN 16, 17)	
	10K	PORT-H (PIN 37)	
	5.1K	PORT-I (PIN 32, 33)	Headphone out

SODFH FORVH WR FKLS

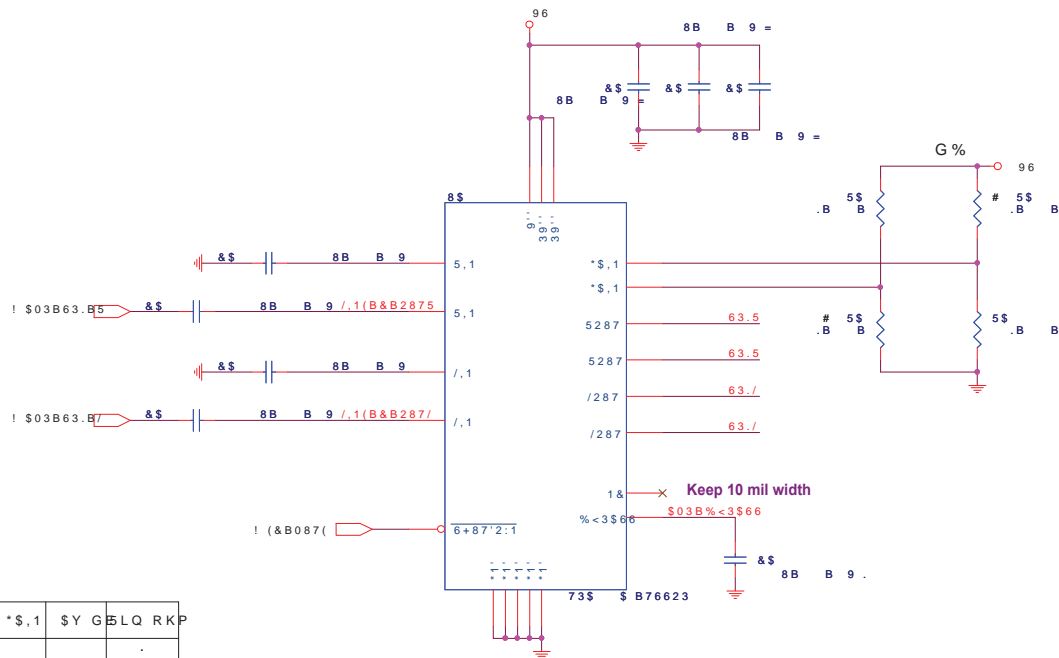


Int. Camera



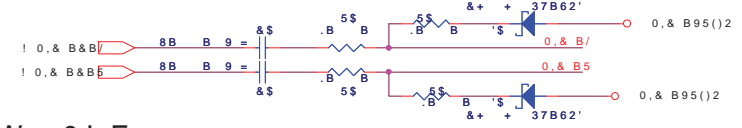
6HFULW1 & 0D VVLILFDWLRQ	& RPSDQ 6HFUHW 'DWD	& RPSDQ (OHFWURQLFV
,VXXHG 'DWH	'HFLSKHUHG 'DWH	7LWOH
7+.6.6+(7.2)(1+.1((5.1' '5\$:1'.6.7+(35235.755<3522893# #7(7521.86 .1& \$1' &2175.16 &21).(17.\$/ \$1' 75\$1'6(85(7. -1)250\$7.2.1.7+.6.6+((7.0\$<1.27%{(1352818)658672<2)7+(&20317(17' .9.6.21.2)5. '(3\$570(17(;&(37.56.\$97.25.=(' %< &203\$7'/(/7521.70465.3&.618+(17.125.7+(-1)250\$7.21.7 &2175.16 0\$<%(86(' %< 25 .6&/26(' 72 \$1< 7+.5' 3\$57< .:7+2#7(35&29 8617.2) &203\$7'/(/7521.86 .1&	+ ' \$XGLR \$/& &RGHF	5HY
		DWH JULGDV 'HFHPEHU (6KHHW RI

73\$ 0HGLXP 5DQJH \$PSOLILHU

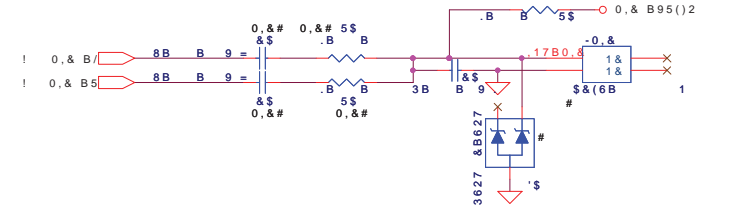


*\$,1	*\$,1	\$Y G	5LQ RKP
			.
			.
			.
			.

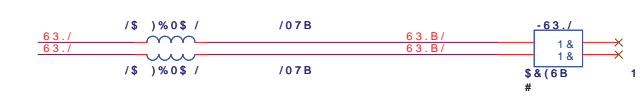
([W 0LF



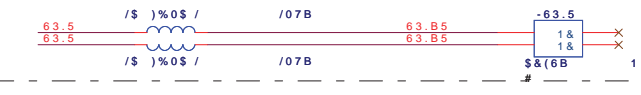
,QW 0LF



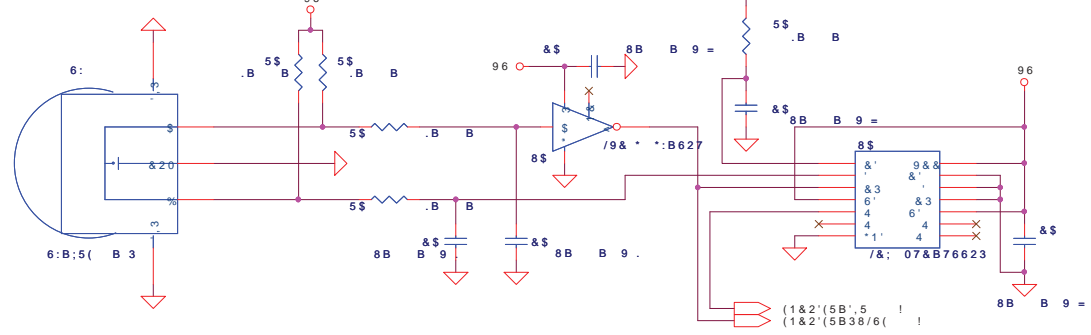
/HIW &RQQHFWRU



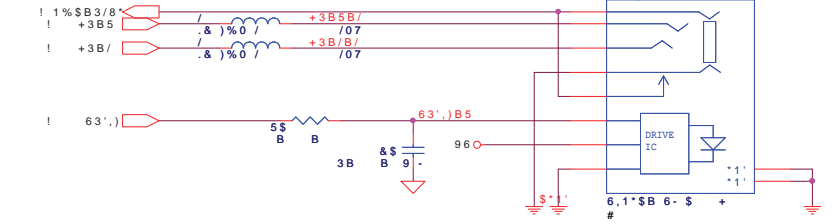
5LJKW &RQQHFWRU



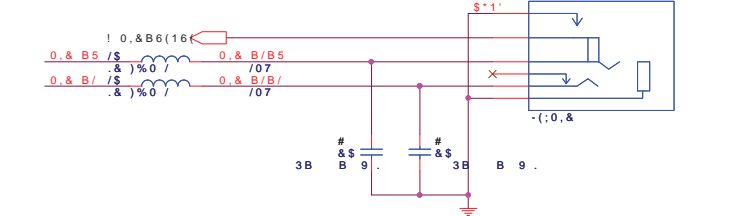
9ROXPH &RQWURO



HeadPhone/LINE Out JACK

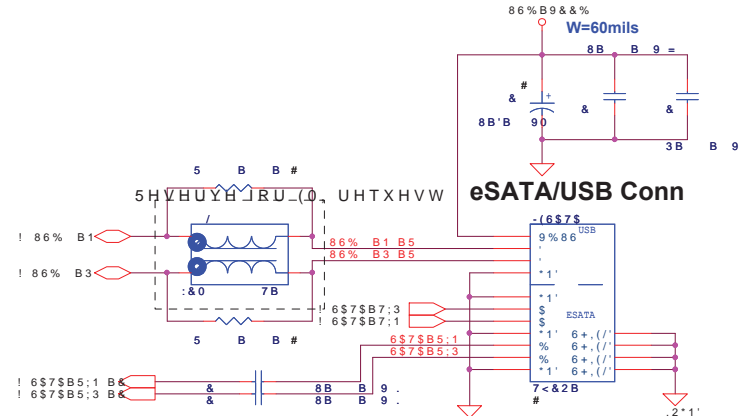
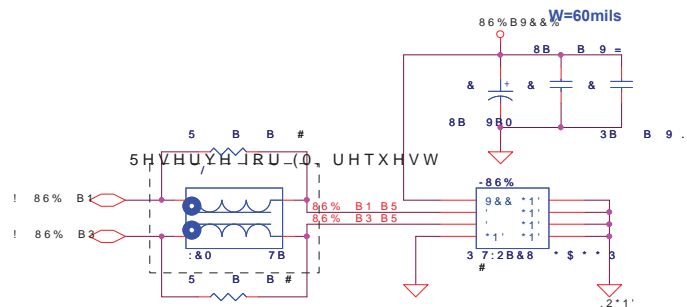
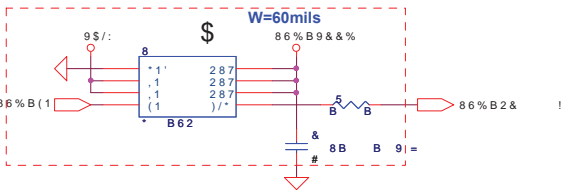


Ext.MIC/LINE IN JACK

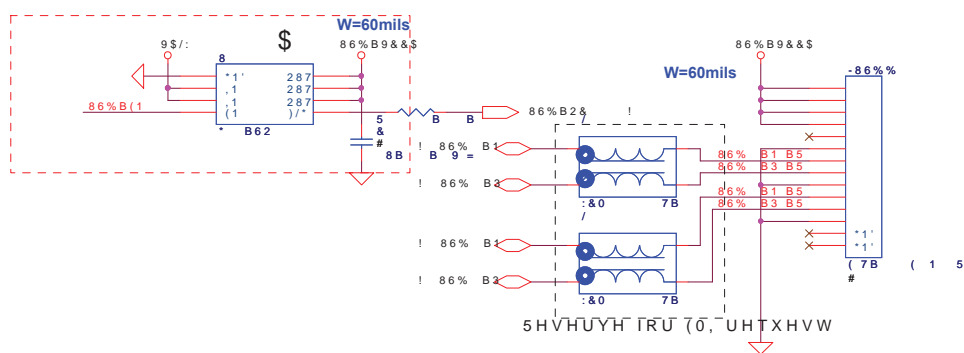


6HFUXLW\ &OVVLLFDWLRQ	&RPSDO 6HFUHW 'DWD	&RPSDO (OHFWURQLFV
,VVXHG 'DWH	'HFLSKHUHG 'DWH	7LWOH
<p>7+.6 6+(7 2) (1+.1(5.1' '5\$:1' .6 7+(35235.(75< 35228934 0(7521.&6 .1& \$1' &2175.16 &21).(.17.\$/ \$1' 755'(6(85(7. -1)25037.21 7+.6 6+(7 03< 127 % (1352818)8568672< 2) 7+(&20317(17' .9,6,21 2) 5' (35570(17 (;&(37 \$6 \$37+25.=(' &2035/ ((8752178465.3&.618+(17 125 7+(-1)25037.21 .7 &2175.16 03< % (86(' %< 25 '.6&/26(' 72 \$1< 7+.5' 3557< .:7+287(35&28 0617 2) &2035/ ((87521.&6 .1&</p>		\$03 \$XGLR -DFN +3 63(\$.(5 95
6LH 'RFXPHQW 1XPEHU	XVWRP /\$ 3	5HY
DWH JULGD\ 'HFHPEHU	6KHHW RI	

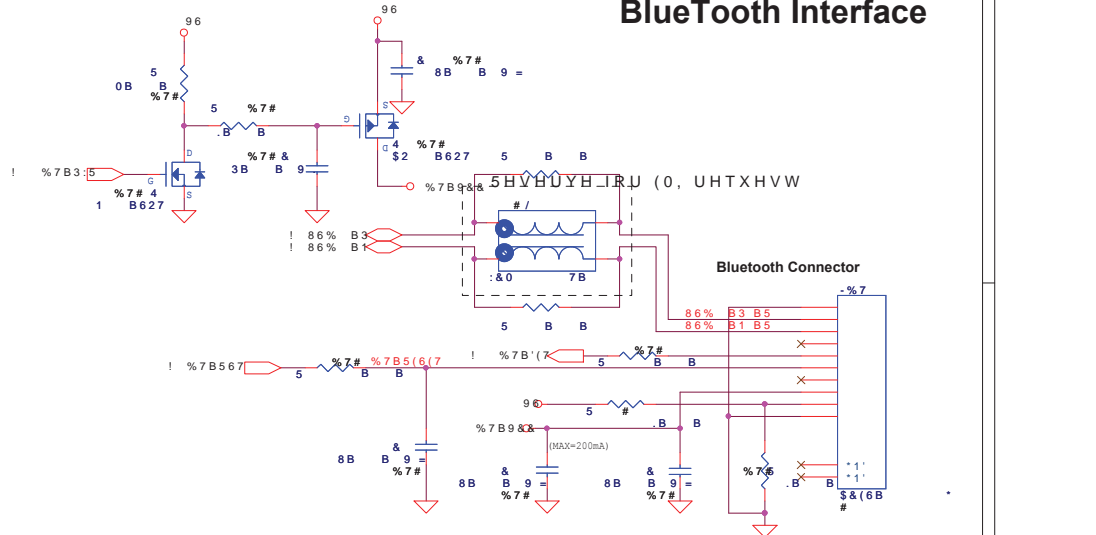
eSATA/USB



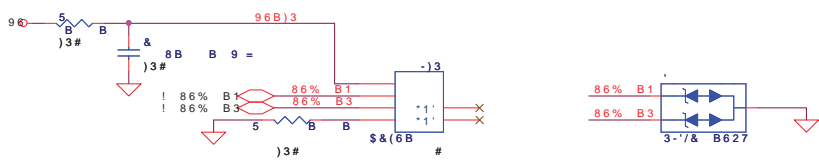
USB Board



BlueTooth Interface

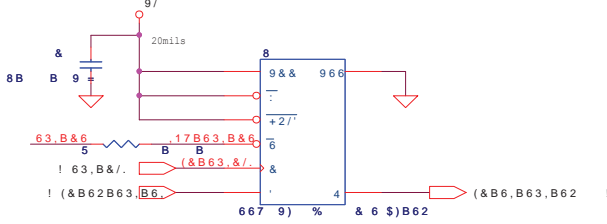


Finger printer

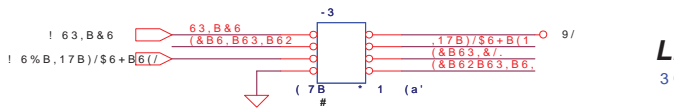


6HFxULWl &OdVVlLFdWLRQ	&RPSDO 6HFUHW 'DWD	&RPSDO (OHFWURQLFV
,VVXHG 'DWH	'HFLSKHUHG 'DWH	7LWOH
7+.6 6+((7 2) (1*1((51* '5\$:1' .6 7+(35235.(7\$5< 352289\$? &7521.&6 .1& \$1' &217\$.16 &21) .(17 \$/ \$1' 75\$1' 61&517' .1)250\$7.21 7+.6 6+((7 0\$< 127 % (155281\$)5&68672< 2) 7+(&20317117' .9.6.21 2) 5' (3\$570(17 (;&(37 \$6 \$57+25=_1' %< &203\$7' /((87521.704\$.3&.618+(17 12\$ 7+(.1)250\$7.21 .7 &217\$.16 0\$< % (86(' %< 25 '.6&/26(' 72 \$1< 7+.5' 3\$57< :.7+2&7(35&28 0617 2) &203\$7' /((87521.&6 .1&	86% %7)LQJHU3ULQW	3
DWH JULGD\ 'HFHPFHU (6KHHW RI		

63,)ODVK 0E

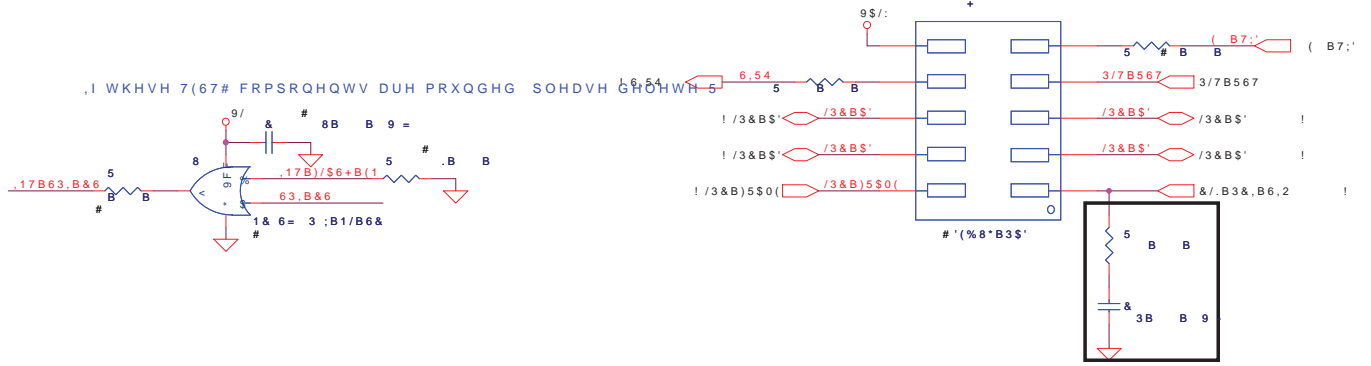


([WHUQDO)ODVK 520

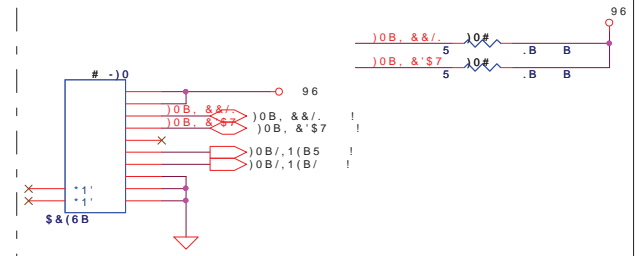


LPC Debug Port

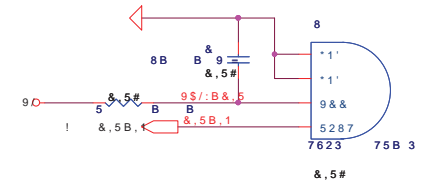
30HDVH SODFH WKH 3\$' XQGHU ''5 ',00



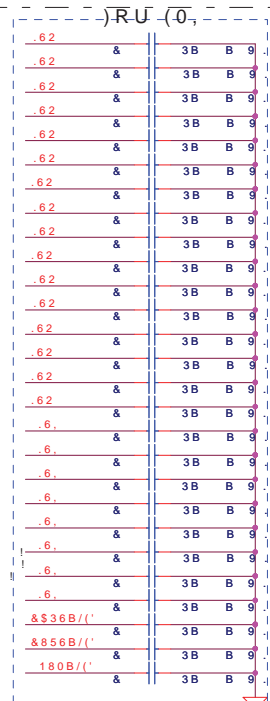
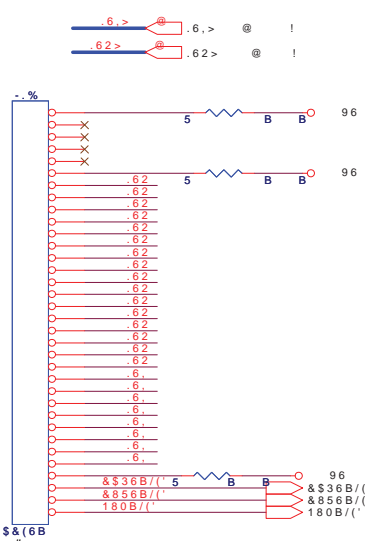
FM tuner



&, 5

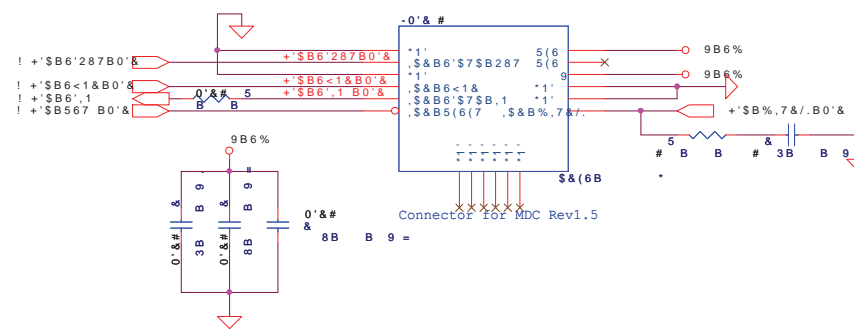


. (<%2\$5' &211

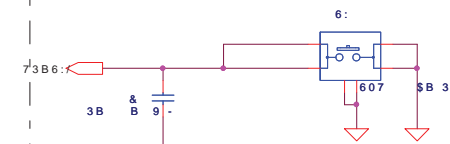


0' & & RQQ

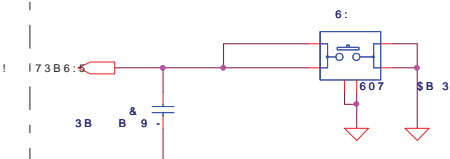
Change type 4/25



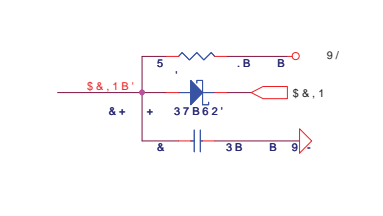
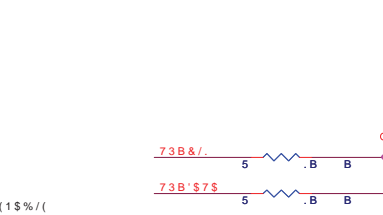
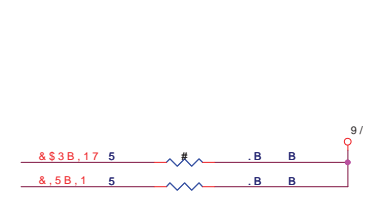
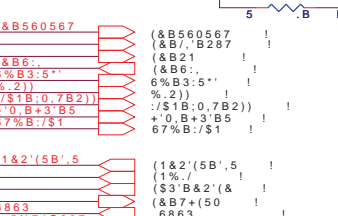
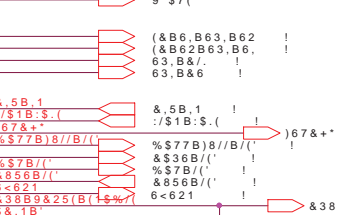
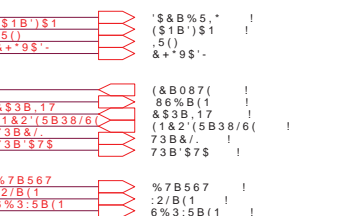
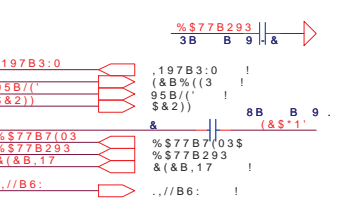
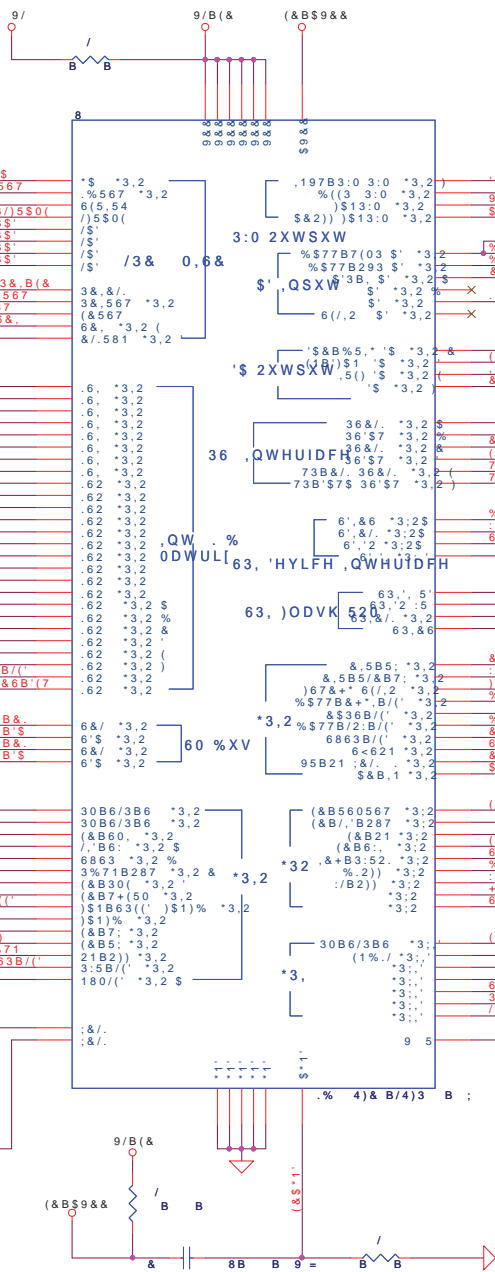
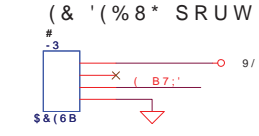
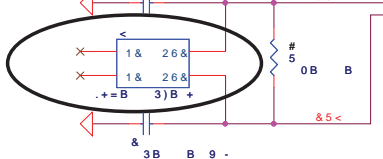
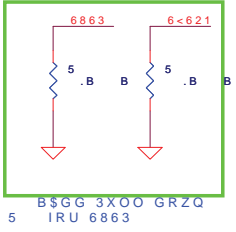
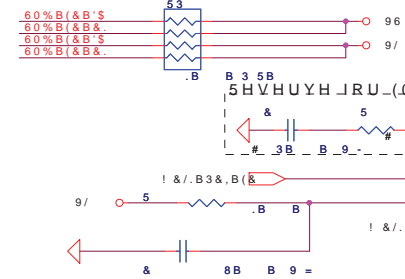
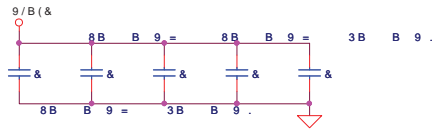
Left switch



Right Switch

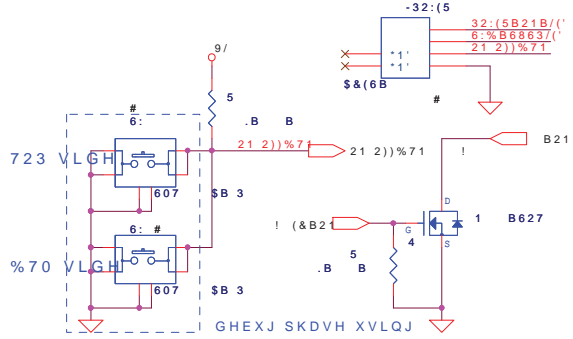


6HFxULW1 &ODVVLIFDWRQ	&RPSDO 6HFUHW 'DWD	&RPSDO (OHFWURQLFV
.VVXHG 'DWH	'HFLSKHUG' 'DWH	7LWOH
7+.66+(7 2) (1'.1(5.1' '5\$;.1' 7+.66+(35235.75\$<35228936 2(7521.86 .1\$' &2175.16 &21). (17.\$/ \$1' 75\$(1.6&5(7. -1)250\$7.21 7+.66+(17 0\$<127. % (135301B)5&8672< 2) 7+(&203(17'1.9.5.21 2) 5' (3\$570(17' ;&(37 36 \$97+25. =1' % &2038/ ((87521.70465.34.518+(17 125 7+(. -1)250\$7.21 7 &2175.16 0\$< % (86(' % < 25 '.6&/26(' 72 \$1< 7+.5' 3\$57< .7+2#7(35&28 0617 2) &203\$/ ((87521.86 .1\$		63, /3& 36 0' &) 0 & 5
6LH 'RFXPHQW 1XPHEU		3
'DWH JULGD 'HFHPEHU		6KHHW RI

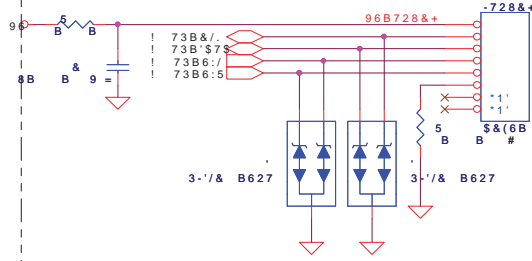


6HFUXLW1 & ODVVLLFDWLRQ	&RPSDO 6HFUHW 'DWD	&RPSDO (OHFWURQLFV
.VXXHG 'DWH	'HFLSKHUH' 'DWH	7LWOH
7+ .6 6+(7 2) (1' .1(51' 53:1' .6 7+(35235.755< 35020936 0(7521.86 .18 \$1' 2175.16 821). (17 \$/ \$1' 75\$(1.6157) 1)25037.21 7+ .6 6+(7 03< 127 % (125501)508672< 2) (82037(17 .9.5.21 2) 5' (35570(17 :& (37 36 \$37+25=' % & 20387 (1(87521.7045.34.518+(7 125 7+(1)25057.21 7 82173.16 05< % (86' % 2 .6 & /26(' 72 \$1< 7+5' 3557< .7+207(35&29 0617 2) & 2033/ (1(7521.86 .18		6LH 'RFXPHQW 1XPEHU &XVWRP /\$ 3
		DWH JULGD 'HFHPEHU 6KHHW RI

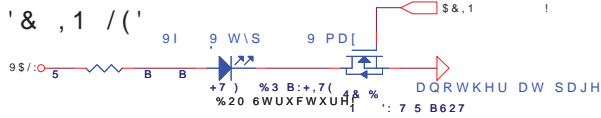
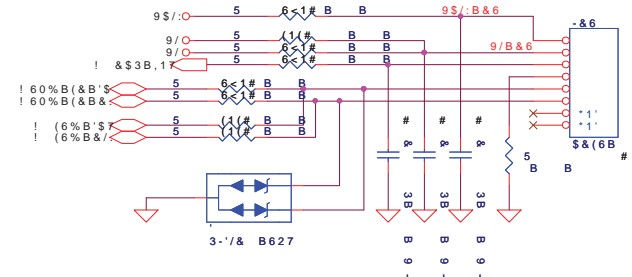
3RZHU %XWWRQ 3:5 %



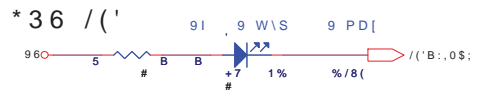
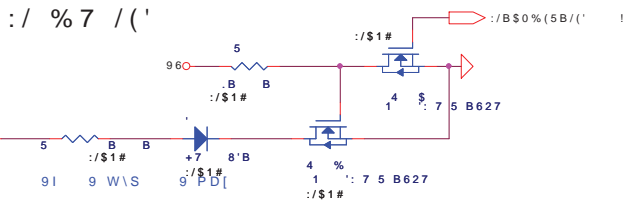
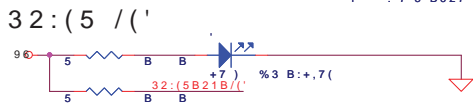
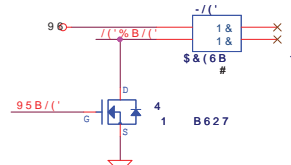
7RXFK % &RQQHFWRU



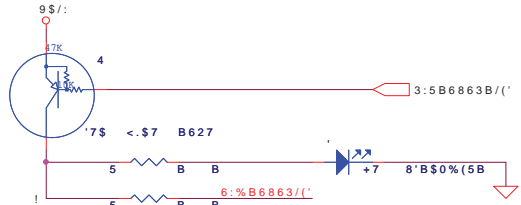
)81 % &RQQHFWRU



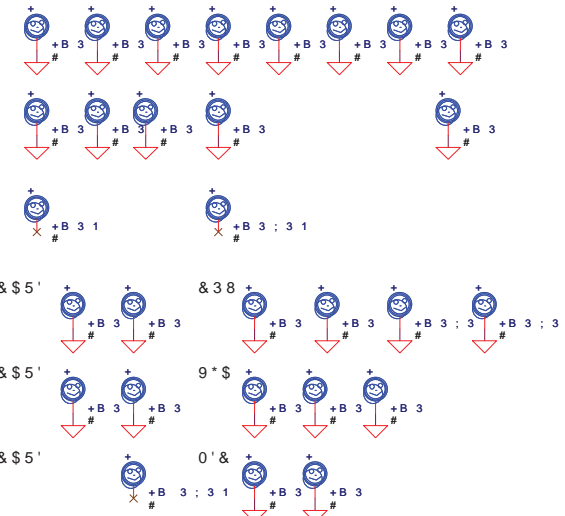
/(' % &RQQHFWRU



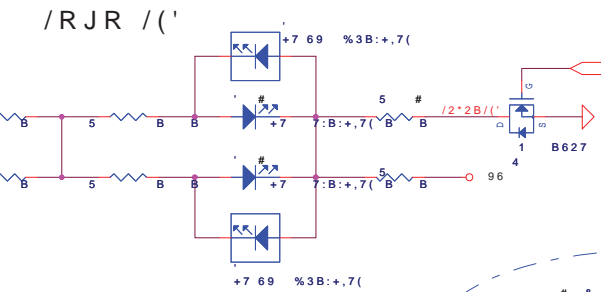
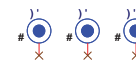
6863(1' /('



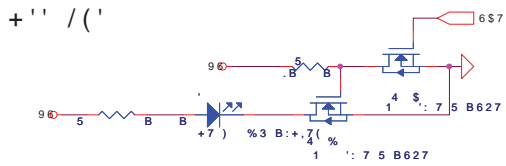
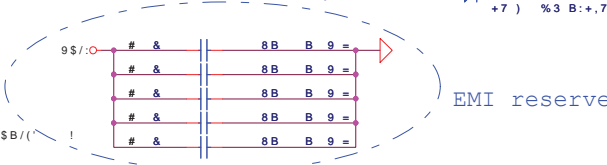
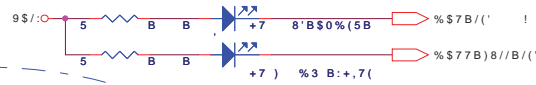
6FUHZ +ROH



3&%)HGLFDO 0DUN 3\$'

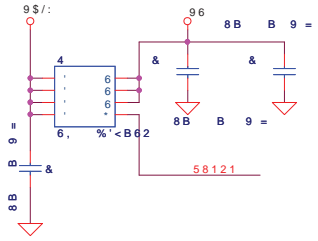


%'\$77 &+\$5*()8// /('

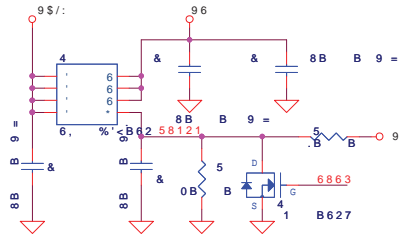


6HFUXLW! &O'VVILFDWLKQ	&RPSDO 6HFUHW 'DWD	&RPSDO (QHFWRURQLFV
,VXHG 'DWH	'HFLSKHUHG 'DWH	7LWOH
7+.66+((7 2) (1'.1((5.1' '5\$:1' .6 7+(35235.755< 35228934 2(7521.86 .18 \$1' &2175.16 &21).((17.5/ \$1' 755(1 6(85(7 .1)250\$7.21 7+.6 6+((7 0\$< 127 % (1252113(568672< 2) 7+(&20317(17 .9,6,21 2) 5 . (3\$570(17 (:&(37 \$6 \$87+25.=' %< &203\$) /((7521.7045.34,614+(17 125 7+(.1)250\$7.21 7 &2175.16 0\$< % (86(' %< 25 .6&/26(' 72 \$1< 7+.5' 3\$57< .:7+287(35&28 0617 2) &203\$) /((7521.86 .18		/(' /, ' 3 %) % 6 & 5 (: + 2 / (
		6LH 'RFXPHQW 1XPEHU
		&XVWRP /\$ 3
		DWH JULGD 'HFHPEHU 6KHHW RI

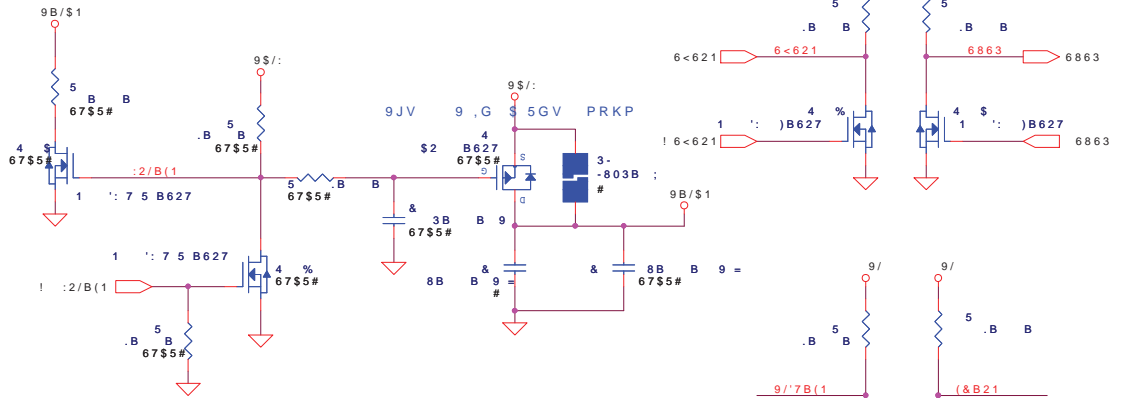
+5VALW TO +5VS



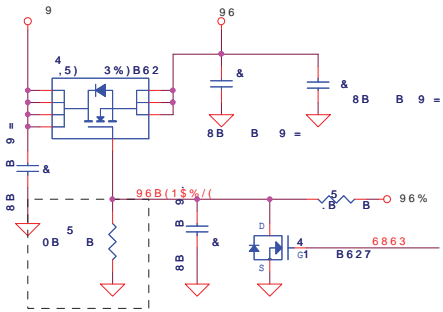
+3VALW TO +3VS



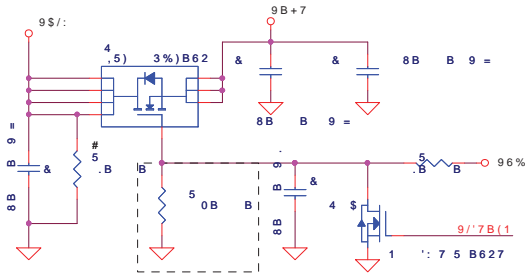
+3VALW TO +3V_LAN



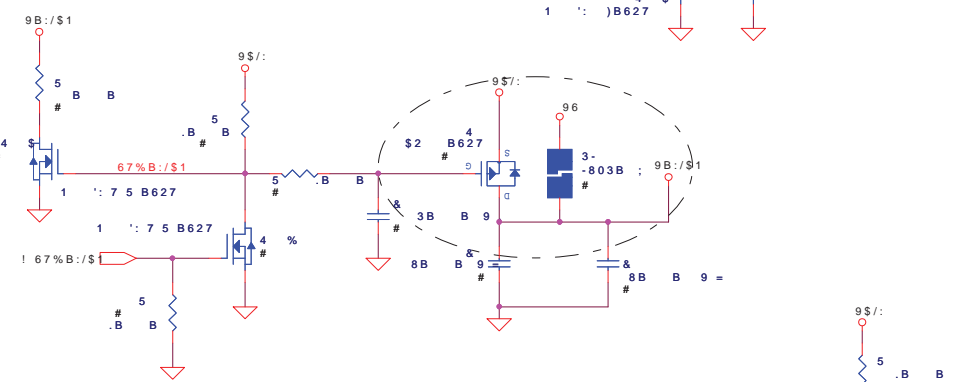
+1.8V TO +1.8VS



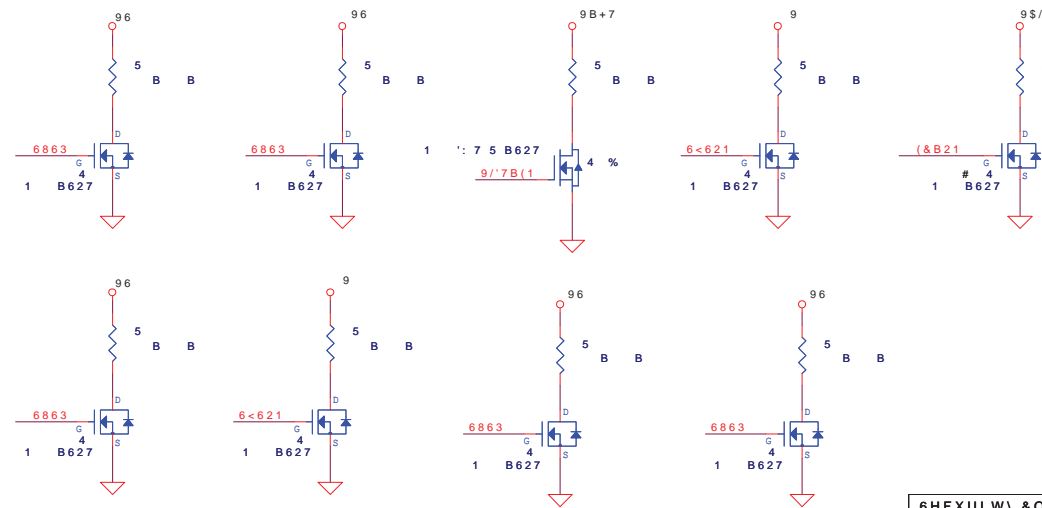
+1.2VALW TO +1.2V_HT



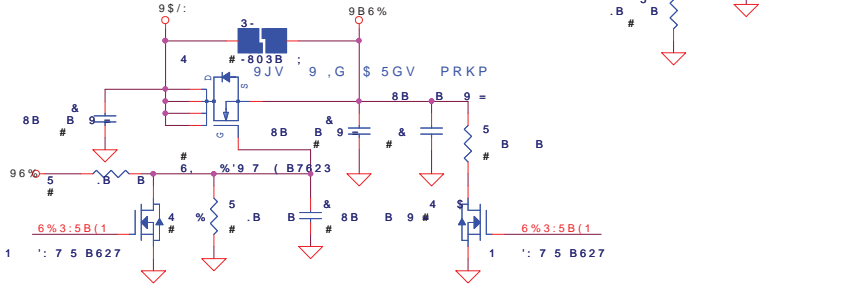
+3VALW TO +3V_WLAN



'LVFKDUJH FLUFXLW

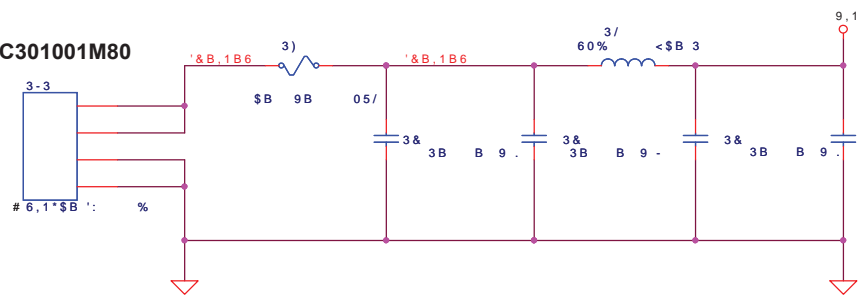


+3VALW TO +3V_SB

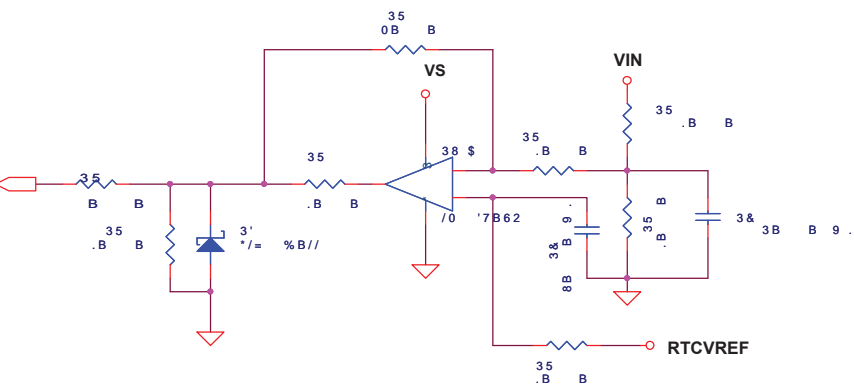


6HFULW1 & ODVVILFDWLRQ	&RPSDO 6HFUHW 'DWD	&RPSDO (OHFWURQLFV	
,VXHG 'DWH	'HFLSKHUG 'DWH	7LWOH	'&' & LUFXLWV
7+.6.6+(7.2) (1+.1)(5.1' 5S:'.1' .6.7+(35235.(7S5< 35020936 0(7521.86 .1& \$1' &2175.16 &21)'.(17.\$/ \$1' 75\$(1.6&S(7.1)250\$7.21 7+.6.6+(17.0\$< 127.%(13501)0\$508672< 2) 7+(&20317(17.1.9.5.21.2) 5' (3\$570(17.1& (37.96.9\$7+25.5='% &203\$7/ ((87521.70465.3& 516+(17.125.7+(.1)250\$7.21.7 &2175.16 0\$< %(86(' %< 25 '.6&/26(' 72 \$1< 7+.5' 3\$57< .:7+207(35&20 0617.2) &203\$7/ ((7521.86 .1&		6LH 'RFXPQW 1XPEHU	3
		DWH JULGD 'HFHPEHU	6KHHW RI

DC301001M80

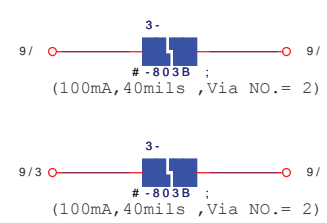
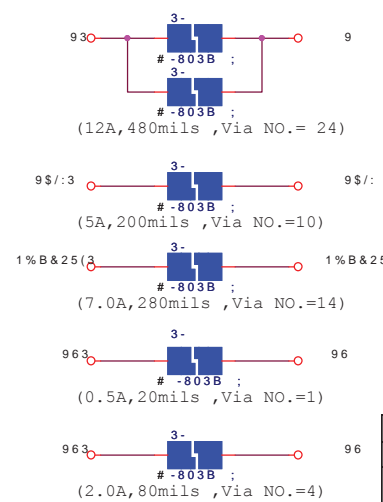
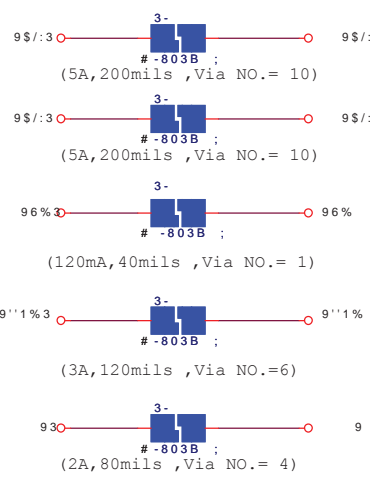
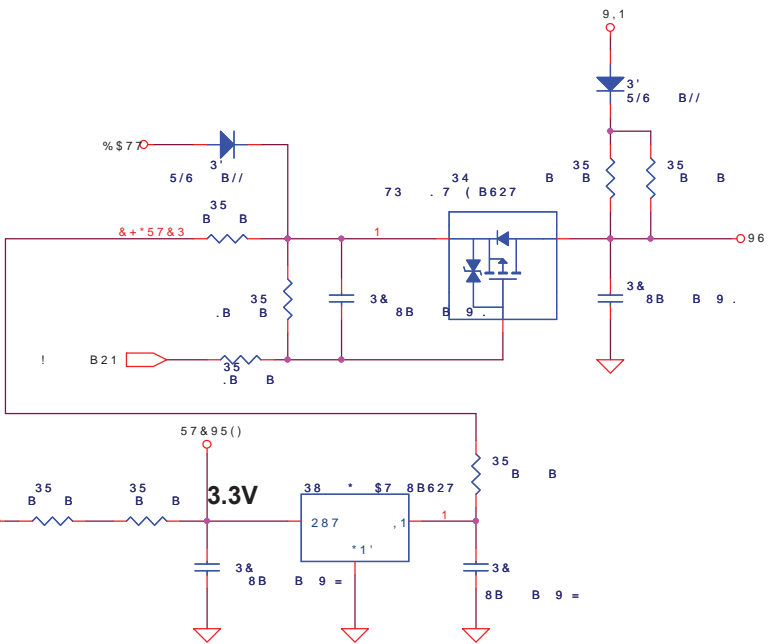
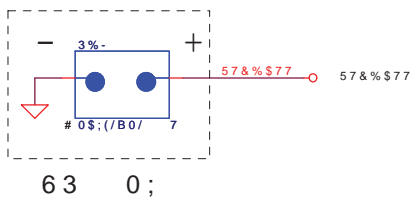


<22,33,34> ACIN



Vin Detector		
High	18.384	17.901 17.430
Low	17.728	17.257 16.976

RTC Battery

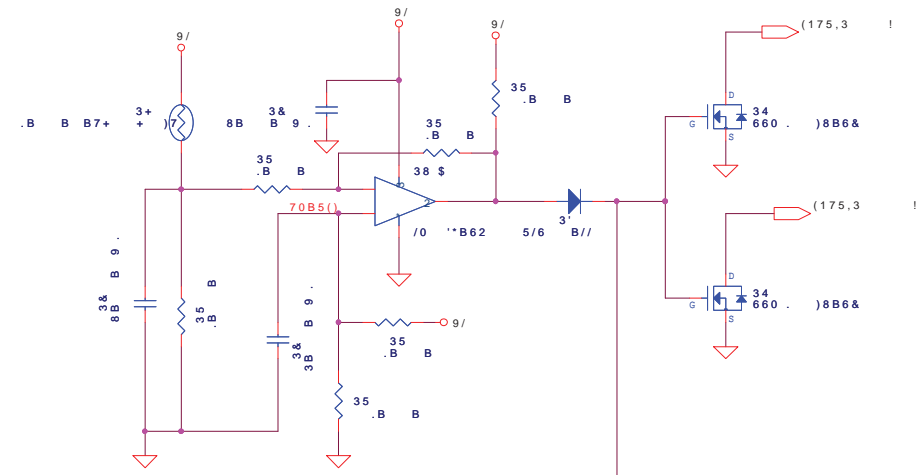
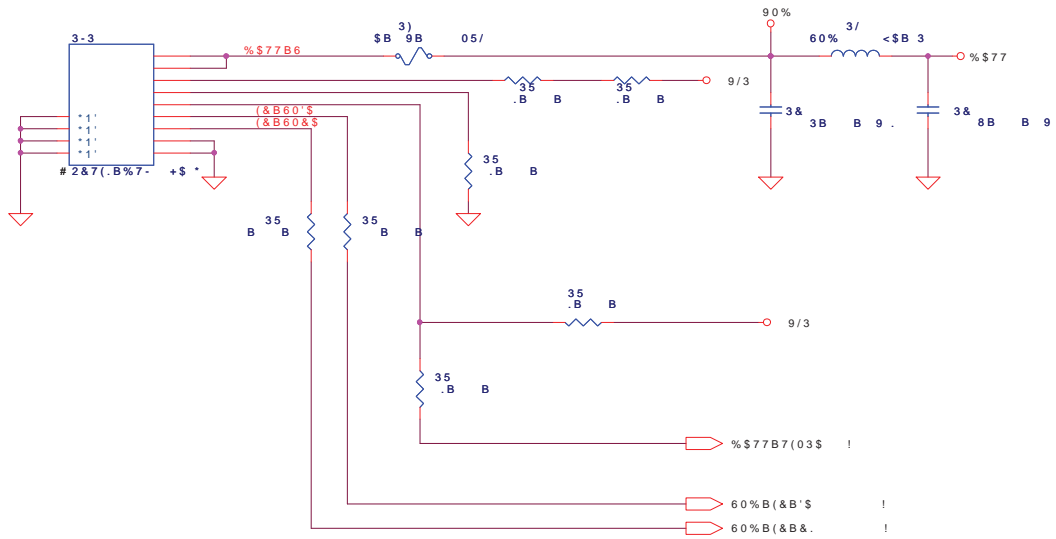


6HFUXLW\ &OVVLLFDWLRQ		&RPSDO 6HFUHW 'DWD		&RPSDO (OHFWURQLFV	
,VVXHG 'DWH		'HFLSKHUG 'DWH		7LWOH	
7+.6 6+(7 2) (1*-1((5,1' '5\$:1' ,6 7+(35235,(755< 3502033% 0(&7521,&6 ,1& \$1' &217\$,16 &21).'(17,\$/ \$1' 755(' 6(&5(7 ,1)25037,21 7+,6 6+(7 05< 127 %()50010+(508072< 2) 7+{ &203(7(17 ,9,6,21 2) 5 '(3\$570(17 ,1&(37 \$8 \$87+25,=(' %< &203\$ / (/(7521,700(5 ,1& 610+(7 125 7+(,1)250\$7,21 ,7 &217\$,16 05< % (86(' %< 25 ,6&/26(' 72 \$1< 7+,5' 3\$57< : ,7+287(35&29 6617 2) &203\$ / (/(7521,&6 ,1&				'&,1 '(&725	
6LJH 'RFXPHQW 1XPEHU				/ \$ 3	
'DWH JULGD\ 'HFHPEHU		6KHHW RI		5HY	

3+ XQGHU &38 ERWWHQ VLGH

CPU thermal protection at 92 degree C

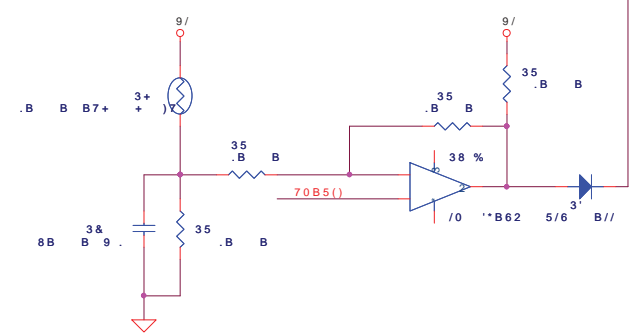
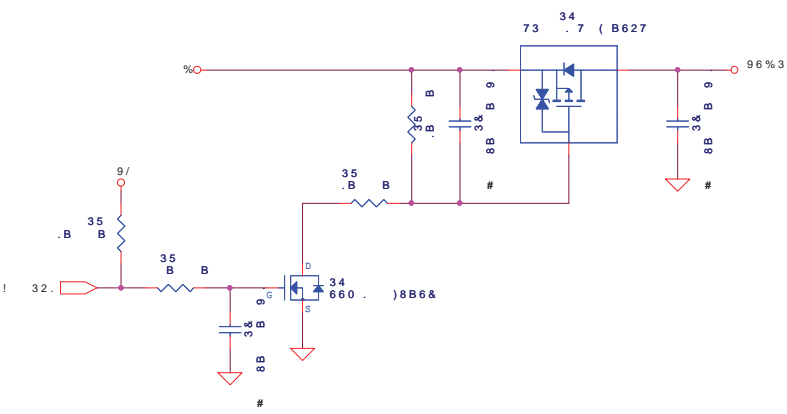
Recovery at 56 degree C



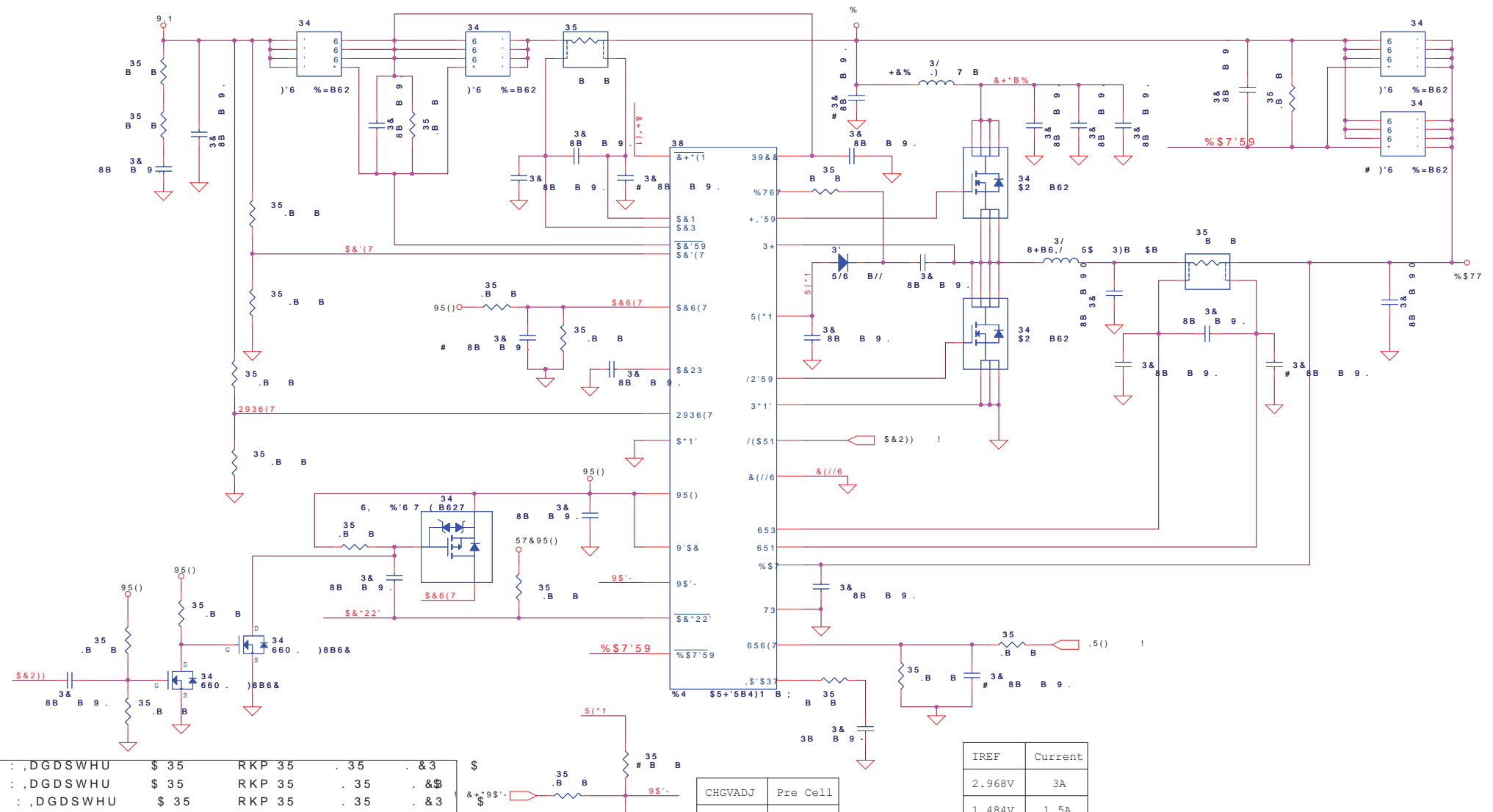
3+ QH DU PDLQ %DWWHU\ &211

BAT. thermal protection at 92 degree C

Recovery at 56 degree C



6HFULW\ &O	VVLILFDWLRQ	&RPSDO 6HFUHW 'DWD	&RPSDO (OHEWURQLFV
,VVXHG 'DWH		'HFLSKHUHG 'DWH	7LWOH
<p>7+.6 6+((7 2) (1.1((5.1' '5\$:.1' .6 7+(35235.(7\$5< 35220\$5\$ Q(47521.46 .18 \$1' &217\$.16 &21).'(17.\$/ \$1' 75\$(6(85(7 .1)250\$7.21 7+.6 6+((7 0\$< 127 % (155\$1B)(548672' < 2) 7+(&203(7(17 .9.6.21 2) 5' (3\$570(17 (:&37 \$6 \$97+25.=(' %< &203\$/ 1/(47521.2045.44.614(17 125 7+(.1)250\$7.21 .7 &217\$.16 0\$< % (86(' %< 25 .6&/26(' 72 \$1< 7+.5' 3\$57< .:7+297(85&28.6617 2) &203\$/ 1/(47521.46 .18</p>			\$%77(5< &211 273
<p>6L]H 'RFXPHQW IXPEHU /\$ 3</p>			5HY
<p>'DWH JULGD\ 'HFHPEHU 6KHHW RI</p>			



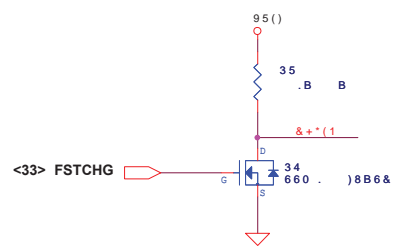
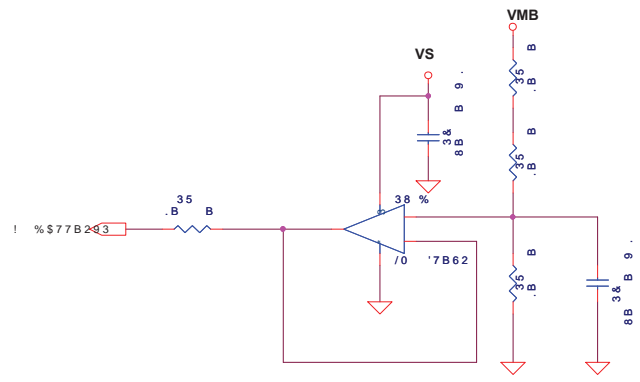
: ,DGDSWHU	\$ 35	RKP 35	. 35	. &3
: ,DGDSWHU	\$ 35	RKP 35	. 35	. &3
: ,DGDSWHU	\$ 35	RKP 35	. 35	. &3

CHGVADJ	Pre Cell
3.28V	4.35V
0V	4V

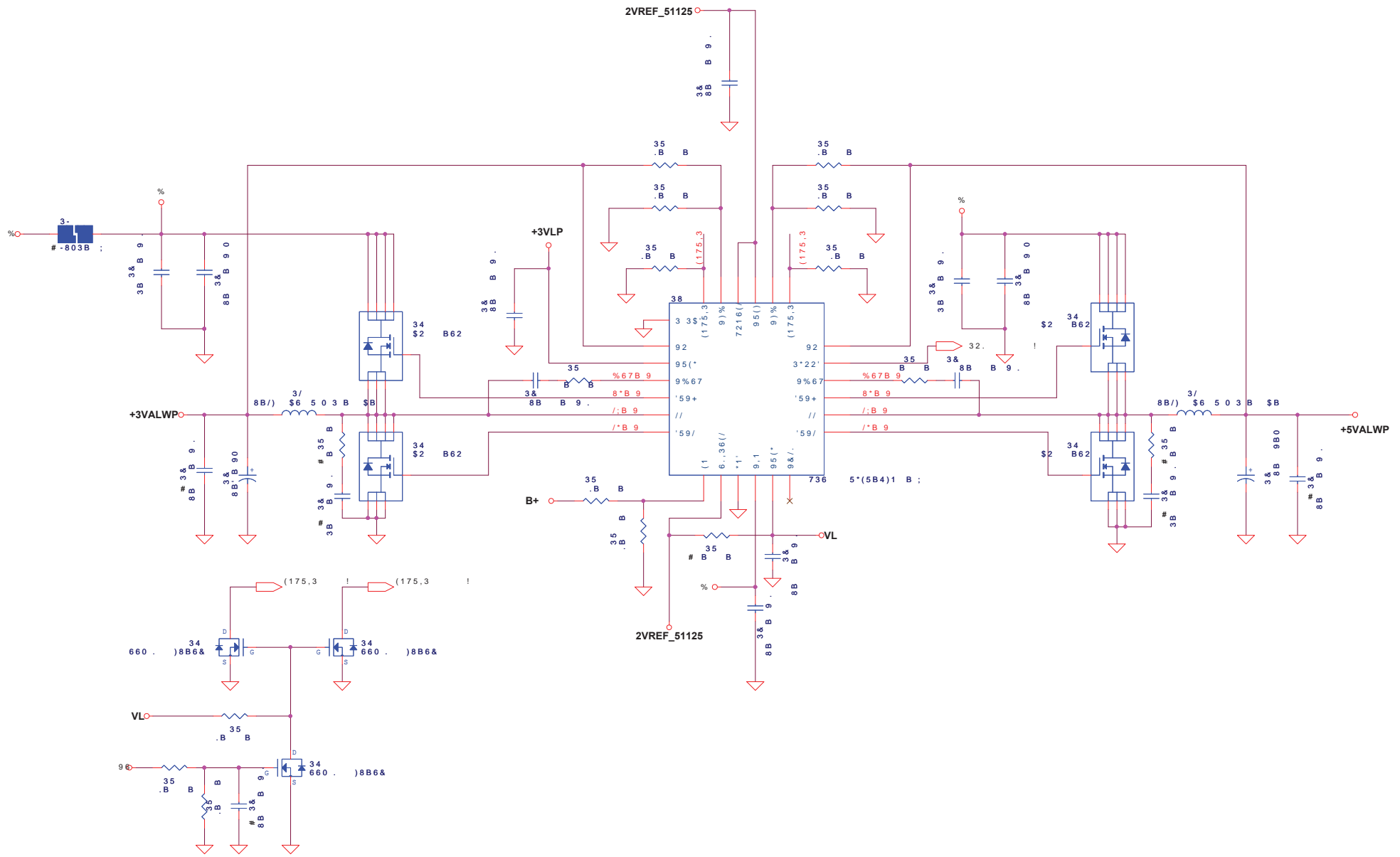
IREF	Current
2.968V	3A
1.484V	1.5A

CHGVADJ要接到EC DA pin

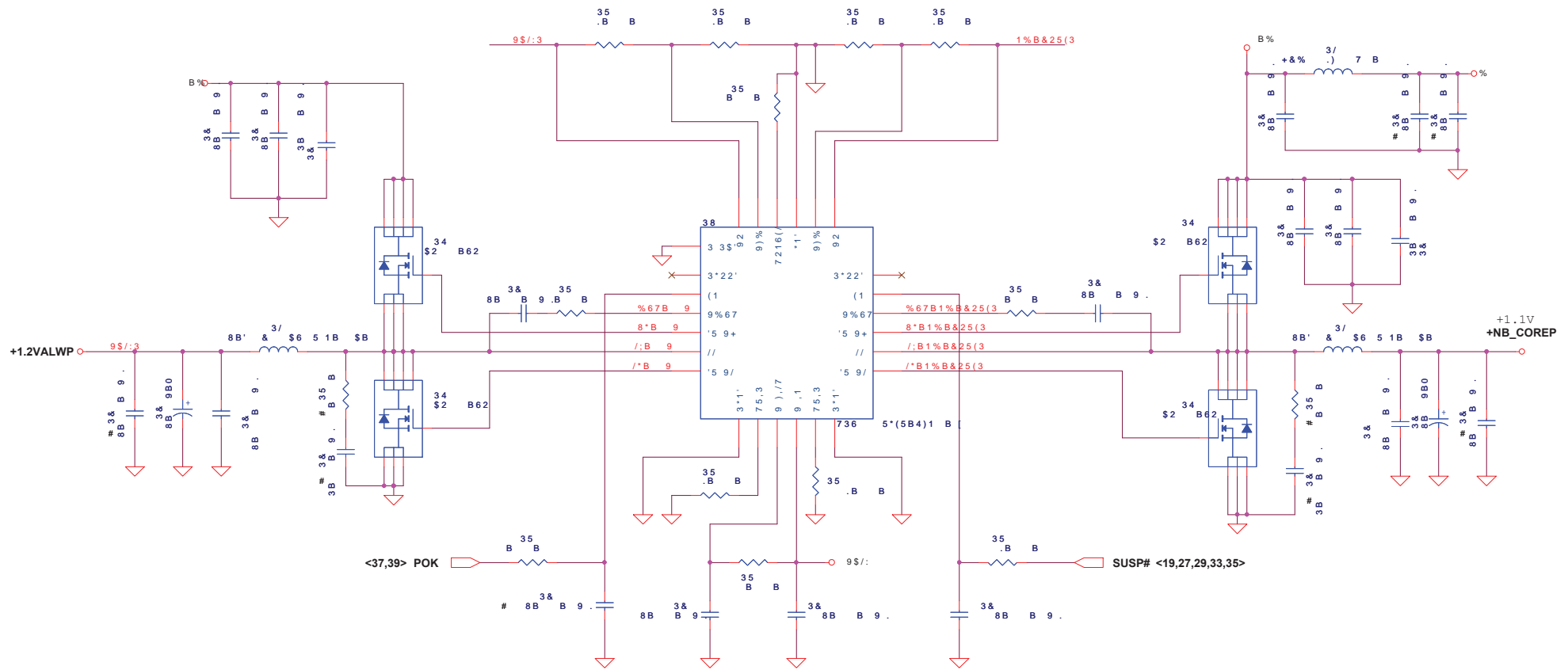
/, 6 9 %\$77 293 9
%\$77 293 %\$77



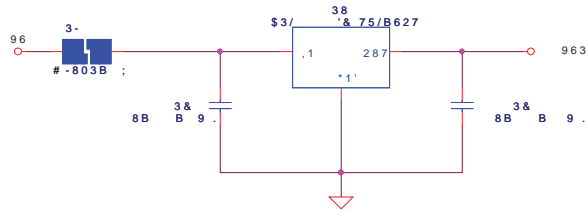
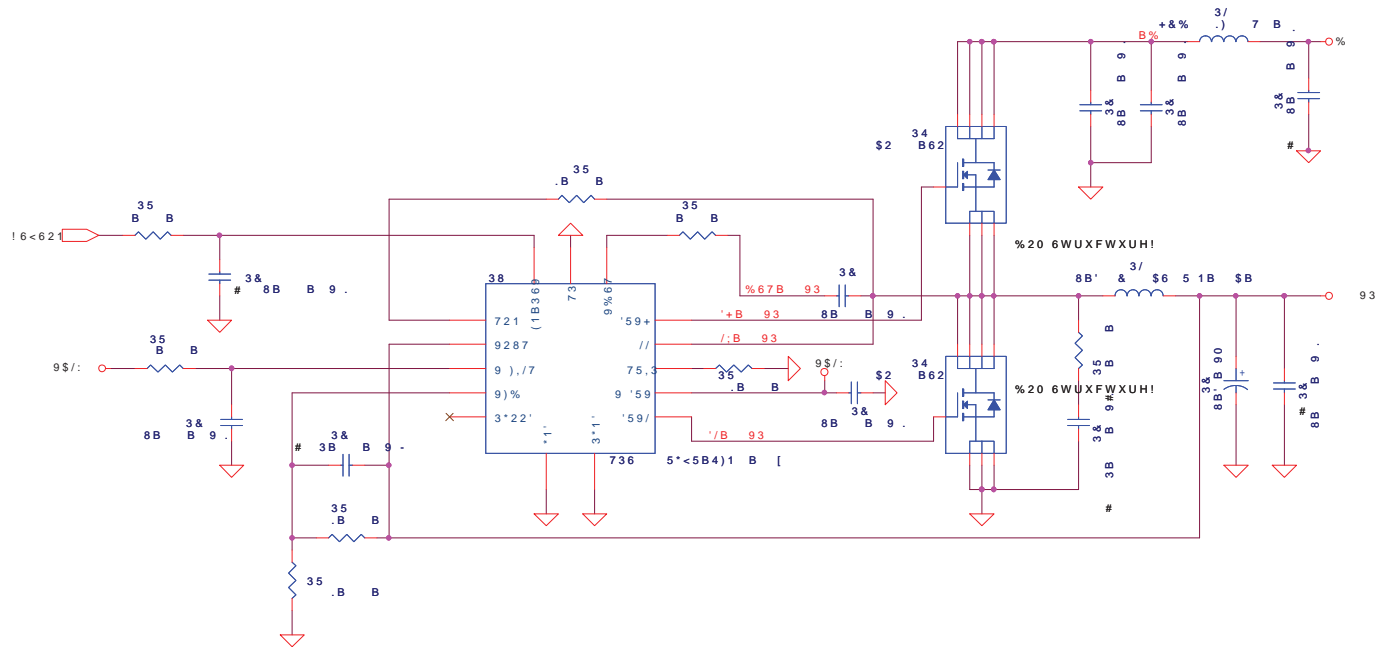
6HFJULW\ &ODVVILFDWLRQ	&RPSDO 6HFUHW 'DWD	&RPSDO (OHFWURQLFV
,VVXHG 'DWH	'HFLSKHUHG 'DWH	7LWOH
7+.6.6+((7.2)(1+.1((5.1+'5\$;.1+.6.7+(35235.(7\$5<35229\$34.0(7521.86.18.\$1'.2175.16.821)).(17.5/ \$1'.75\$1'.6(85(7-.1)250\$7.21.7+.6.6+((7.0\$<1.27.%(1552918)858672<2)7+(820317(17'.9.6.21.2)5. (3\$570(17'(-8(37.86.\$37.25.+'%<82033/((187521.7045.34.618+(17.125.7+(1)250\$7.21.7.8217\$5.16 0\$<%(86('%.<25'.6&/26('72.\$1<7+.5'3\$57<.:7+2#7(35&29.0617.2)&203\$/((187521.86.18		&+\$5*(5
6LJH 'RFXPHQW 1XPEHU		/ \$ 3
'DWH JULGD\ 'HFHPEHU		6KHHW RI



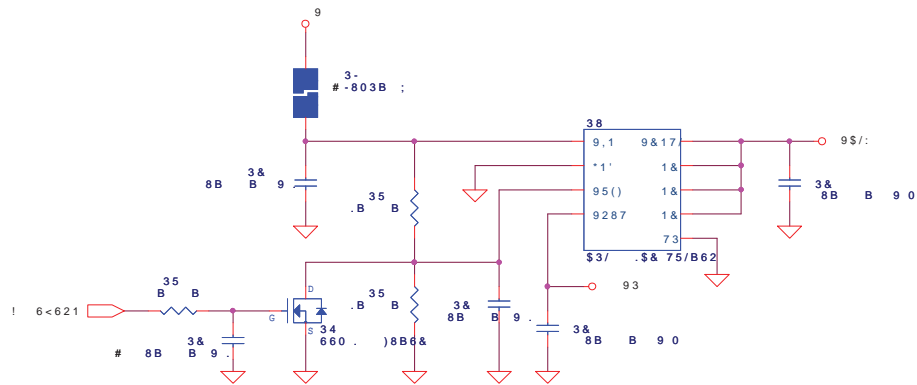
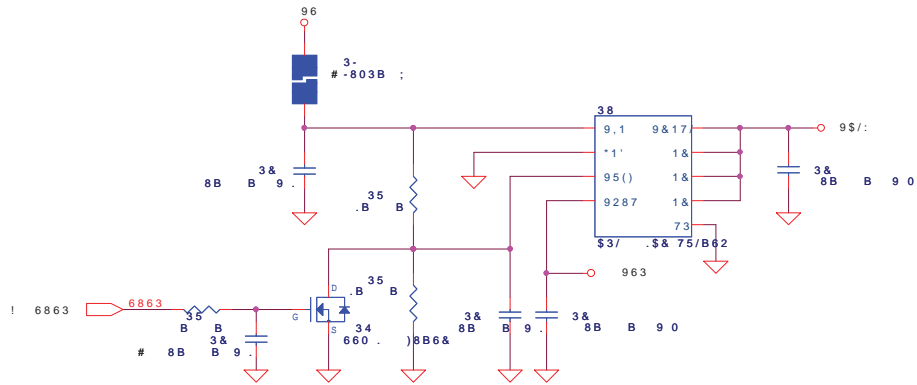
6HFJULW\A O B	VVLILFDWLRQ	&RPSDO 6HFUHW 'DWD	&RPSDO (OHEWURQLFV
,VXHG 'DWH		'HFLSKHUHG 'DWH	7LWOH
$7+.66+((72)(1.1)((5.1^{\cdot}55:1^{\cdot}67+(35235.(755<35209556 @(&7521.86 .18 51' &2175.16 &21).'(17.5/$			9\$/: 9\$/:
$51' 755'(6(85(7 .1)250$7.21 7+.66+((705<127%(1553115)(588672'<2) 7+(&203(7(17'.9.6.212) 5'$			6L]H 'RFXPHQW 1XPEHU
$38570(17 (:8(37 $6 397+25,=(^{\cdot} %& 203$/ 1/(&7521.8645.74.614)(17 125 7+(.1)250$7.21 .7 &2175.16$			/ \$ 3
$05<%(86(' %< 25 .,68/26(' 72 $1< 7+.5' 3857< :.7+297(85&28.6617 2) &203$/ 1/(&7521.86 .18$			'DWH JULGD\ 'HFHPEHU 6KHHW RI



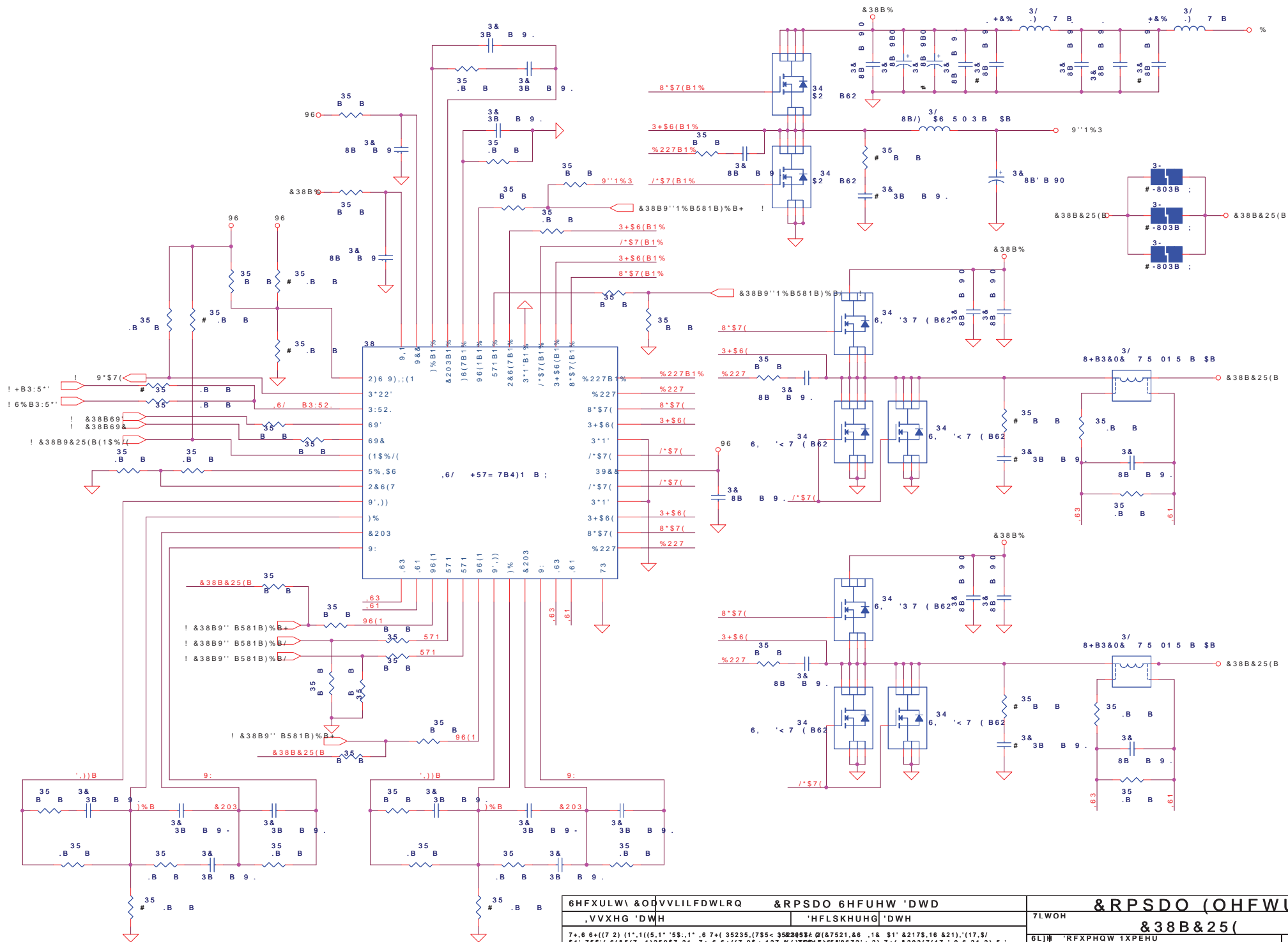
6HFULW\ &ODVVILFDWLRQ	&RPSDO 6HFUHW 'DWD	&RPSDO (OHFWURQLFV	
,VVXHG 'DWH	'HFLSKHUHG 'DWH	7LWOH	
		1%B&25(3 9\$/:3	
7+.6 6+((7 2) (1* 1((5 1' '5\$;:1' .6 7+(35235.(7\$5< 352209\$A 0(&7521.&6 .1& \$1' &2175.16 &21)).(17.\$/ \$1' 75\$' 6(&5(7 .1)250\$7.21 7+.6 6+((7 0\$< 127 % (1\$5201\$)6560672< 2) 7+(&20317(17 .9,6,21 2) 5 . (3\$570(17 [;&(37 \$6 \$37+25.=(' %< &203\$' /((&7521.7045.3&.616+(17 125 7+(.1)250\$7.21 .7 &2175.16 0\$< % (86(' %< 25 .6&/26(' 72 \$1< 7+.5' 3\$57< .:7+207(35&29 0617 2) &203\$' /((&7521.&6 .1&		6LH 'RFXPHQW 1XPEHU	3
		DWH JULGD\ 'HFHPEHU	6KHHW RI



6HFULW\ &ODVVILFDWLRQ	&RPSDO 6HFUHW 'DWD	&RPSDO (OHFWURQLFV	
,VVXHG 'DWH	'HFLSKHUHG 'DWH	7LWOH	93 96
<pre> 7+.6 6+(7 2) (1+.1(5.1" 5\$;.1" .6 7+(35235.(755< 352289\$K @(&7521.&6 .1& \$1' &2175.16 &21).'(17.\$/ \$1' 755'1 6(&5(7 .1)250\$7.21 7+.6 6+(17 0\$< 127 % (1552818)568672' < 2) 7+(&20317(17 .9,6,21 2) 5 . (35570(17 ;&(37 56 \$37+25.=(' %< &203\$) /((&7521.7845.3&.614+(17 125 7+(.1)250\$7.21 .7 &2175.16 0\$< % (86(' %< 25 '.6&/26(' 72 \$1< 7+.5' 3\$57< .:7+287(35&28 8617 2) &203\$) /((&7521.&6 .1& </pre>		6LJH 'RFXPHQW 1XPEHU	/ \$ 3
		DWH JULGD\ 'HFHPEHU	6KHHW RI



6HFXULW\ &ODVVILFDWLRQ	&RPSDO 6HFUHW 'DWD	&RPSDO (OHFWURQLFV	
,VVXHG 'DWH	'HFLSKHUHG 'DWH	7LWOH	93 963
<pre> 7+.6 6+(7 2) (1+.1(5.1" 5\$:1" .6 7+(35235.(755< 35228934 0(&7521.&6 .1& \$1' &2175.16 &21).'(17.\$/ \$1' 755'(1 6(&5(7 .1)250\$7.21 7+.6 6+(17 0\$< 127 % (1552818)668672< 2) 7+(&20317(17 .9,6.21 2) 5 . (35570(17 (;&(37 3& \$37+25.=(' %< &203\$7' /((&7521.7945.3&.618+(7 125 7+(.1)250\$7.21 .7 &2175.16 0\$< % (86(' %< 25 '.6&/26(' 72 \$1< 7+.5' 3\$57< .:7+207(35&28 0617 2) &203\$7' /((&7521.&6 .1& </pre>		/\$ 3	
		'DWH JULGD\ 'HFHPEHU 6KHHW RI	



6HFJULW1 & ODVVILFDWLRQ		&RPSDO 6HFUHW 'DWD		&RPSDO (OHFWURQLFV	
,VXHG 'DWH		'HLSKHUHG 'DWH		7LWOH	
7+, 6 6+(7 2) (1', 1(5, 1' 55; 1' 6 7+(35235, 755< 35020936 0(7521, 86 ,18 \$1' 2175, 16 821), (17, \$/ \$1' 755(1, 61&5(7, -1)250\$7, 21 7+, 6 6+(17 05< 127, % (1352019)508672< 2) 7+(&203(7(17, -9, 5, 21 2) 5' (3\$57(17, [-&(37 36, \$37+25, =1' %< &203\$7' /((87521, 7045, 3, 4, 516+(17, 125 7+(, -1)250\$7, 21 7, 8, 2175, 16 05< % (86(' %< 25 , 6&/26(' 72 \$1< 7+, 5' 3\$57< , 7+207(35&20 0617 2) &203\$7' /((87521, 86 ,18		7805		838B&25(
				6LH 'RFXPHQW 1XPEHU	
				&XVWRP /\$ 3	
				DWH JULGD 'HFHPEHU 6KHHW RI	

Version Change List (P. I. R. List) for Power Circuit

Item	Page#	Title	Date	Request Owner	Issue Description	Solution Description	Rev.
43		Add PR158 remove PR129	2008/06/23	HW	Code 88	change EC to CPU control signal, PWROK	
41		Change UMA PR102 to 15.4K	2008/06/23	POWER	OCF to low	Change trip resistor.	
42		Change PU10 SUSP to SYSON#	2008/06/23	HW		Change control signal	
39		Add PC142, PC143	2008/07/23	SED	GPS	Reduce GPS noise	
40		Add PC144, PC145	2008/07/23	SED	GPS	Reduce GPS noise	
41		Add PC146, Change PC85	2008/07/23	SED, ME	GPS	Reduce GPS noise	

6HFXULW\ &ODVVLLFDWLRQ	&RPSDO 6HFUHW 'DWD	&RPSDO (OHFWURQLFV
.VVXHG 'DWH	'HFLSKHUHG 'DWH	7LWOH
		/LVW +LVWRU\
7+.6 6+(7 2) (1+.1(5.1' '5\$;.1' .6 7+(35235.(7\$5< 35020936 0(&7521.86 .1& \$1' &2175.16 &21).'(17.\$/ \$1' 75\$ (6&5(7 .1)250\$7.21 7+.6 6+(17 0\$< 127.%(125018)4508672< 2) 7+(&20317(17 .19.5.21 2) 5' (3\$570(17 (;&37 36 \$37+25.=(' %< &203\$ / ((&7521.7945.34.516+(17 125 7+(.1)250\$7.21 7 &2175.16 0\$< %(86(' %< 25 .6&/26(' 72 \$1< 7+.5' 3\$57< .:7+2#7(35&29 0617 2) &203\$ / ((&7521.86 .1&		6L# 'RFXPHQW 1XPEHU &XVWRP /\$ 3
DWH JULGD\ 'HFHPEHU		6KHHW RI

HW4 Product Improvement Record (P.I.R.)

Revision Change: 0.1 to 0.2

12 '\$7(3\$*(02'),)&\$7,21 /,67

385326(

([FKDQJH 8,0B5(6(7 DQG 8,0B&/ . FRQQHFW WR - *6,0&RUUHFV VFKHPDWLF
&KDQJH)0B, &&/ . DQG)0B, &'\$7 WR *3,2 *3,2)RU 1;3 UHTXHVW
5HPRYH -+' ' 5HPRYH 'LS +' '
&KDQJH 4 WR SXOO XS ZLWK 9\$/: DQG 5 5 WR RKP 6ROYH VXVSHQG OHG LVVXH
&KDQJH &0 WR 3 DQG XQ PRXQW 50 DQG &0)RU FXVWRPHU UHTXHVW
&KDQJH 520 IURP 0 WR 0)RU %,26 UHTXHVW
&KDQJH &\$ &\$ IURP X WR X 6HW KLJK SDVV IUHTXHQF\ WR +]
5HVHUYH & & &)RU (0, UHTXHVW

56

0 &

8
56 0 & 5
56 0 & 5 #

' & ,

3-3
1
3-3 #

5 ;

8
5: 5
5: 5 #

3 & %

===
3 & % ; / \$ 3 5 (9 0 %

/ \$ 1

8
(#

8/
0 WUDQVIRUPHU
(#

Revision Change: 0.2 to 0.3

12 '\$7(3\$*(02'),)&\$7,21 /,67

385326(

5HPRYH)HOLFD IXQFWLRQ VFKHPDWLF .7.\$(GRQ W VXSSRUW
&KDQJH 8 IURP +'0,B 9B287 WR 9/)RU FXVWRPHU UHTXHVW DQG IROORZ 7RVKLED GHLVJQ JXLGH ZLWK &(&
&KDQJH LQWHUQDO FDPHUD 86% SRUW IURP SRUW WR SRUW)RU 86% VOHHS DQG FKDUJH IXQFWLRQ
&KDQJH 1HZ FDUG 60%XV IURP WR)RU ([SUHVV FDUG ORJR
&KDQJH 0' & SRZHU IURP 96 WR 9B6% 6XSSRUW ZDNH RQ 0' &
\$GG (6' GLRGH QHDU FRQQHFWRU)RU (0, UHTXHVW
\$GG 63, 520 VFKHPDWLF RQ 6%)RU \$0' (1(LVVXH
&R OD\RXW /2*2 /(')RU \$0' (1(LVVXH
&KDQJH %,26 520 IURP 0 WR 0 &KDQJH ORJR OHG WR KLJK LOOXPLQDWLRQ
\$GG ' (PRGH VFKHPDWLF)RU 6: UHTXHVW
\$GG /\$1 VDYLQJ PRGH VFKHPDWLF)RU (QHUJ\ VWDU
&KDQJH 5 5 WR .)RU (QHUJ\ VWDU
\$GG 5)RU QHZ FDUG UHFRJQLJH LVVXH
&KDQJH 5 5 IURP WR RKP &RUUHFV &,5 VFKHPDWLF
&RUUHFV +\$ 66& VFKHPDWLF)RU 79 RXW
\$GG (0, WHVV VFKHPDWLF)RU (0, UHTXHVW

5

6 %

8
6% 5
6% 5 #

56 0 &

8
56 0 & 5
56 0 & 5 #

56 0

8
56 0 5
56 0 5 #

5 ;

8
5: 5
5: 5 #

Revision Change: 0.3 to 1.0

12 '\$7(3\$*(02'),)&\$7,21 /,67

385326(

&38 WKHUPWULS FRQQHFWRQ)RU FXVWRPHU UHTXHVW
&KDQJH &DPHUD SRZHU IURP 9\$/: WR 96)RU (QHUJ\ VWDU
'HOHWH 7(67#)RU 03
&KDQJH DOO 9\$/: WR 9B:/\$1 FRPSRQHQWV IURP 67\$5 QHFRG #
\$GG 5 &RUUHFV &,5 VFKHPDWLF
&RUUHFV -0% VFKHPDWLF)RU (QHUJ\ VWDU
'HOHWH 5 1R QHHG /\$1 VDYLQJ PRGH IXQFWLRQ
6KRUW 3-5 'HOHWH 4 & 5 & 5 4 4)RU 6% OHDNDJH LVVXH
\$GG / / / / 'HOHWH 5 a5 5 5)RU (0, UHTXHVW
&KDQJH 5 IURP N WR N)RU /(' WZLQNOH ZKHQ LQVHUW \$ & LVVXH
5HPRYH 5 1R '60 IXQFWLRQ
\$GG & \$GG (6' VROXWLRQ

6HFXULW\ & ODVVILFDWLRQ	&RPSDO 6HFUHW 'DWD	Compal Electronics, Inc.	
,VXXHG 'DWH	'HFLSKHUHG 'DWH	7LWOH	3, 5
7+, 6 6+((7 2) 1', 1((5, 1' 5\$: 1' , 6 7+((35235, (755< 35234954 0/(&7521, &6 , 1& \$1' &217\$, 16 &21), '(17, \$/ \$1' 75\$'(6(&5(7, 1)250\$7, 21 7+, 6 6+((7 0\$< 127 % (1)59311 8)(5&8672'< 2) 7+(&203(7(17 ', 9, 6, 21 2) 5 , '(3\$570(17 (; &37 \$6 \$87+25, =(' %< &203\$/ /((&7521, 2&6 5, 7&, 61&+((7 125 7+(, 1)250\$7, 21 , 7 &217\$, 16 0\$< % (86(' %< 25 ', 6&/26(' 72 \$1< 7+, 5' 3\$57< : , 7+277(35&29 6617 2) &203\$/ /((&7521, &6 , 1&		6LJH 'RFXPHQW 1XPEHU	
		'DWH]ULGD\ 'HFHPEHU	6KHHW RI