

Compal Confidential

Schematics Document

ZRMAA/ZEMAA LS-A481P

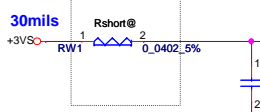
Cardreader / ComboJack / USB

2013-06-21

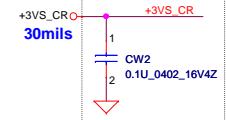
REV:1.0

Security Classification	Compal Secret Data			Compal Electronics, Inc.		
Issued Date	2011/11/18	Deciphered Date	2013/11/18	Title	Cover Page	
THIS SHEET OF ENGINEERING DRAWING IS THE PROPRIETARY PROPERTY OF COMPAL ELECTRONICS, INC. AND CONTAINS CONFIDENTIAL AND TRADE SECRET INFORMATION. THIS SHEET MAY NOT BE TRANSFERRED FROM THE CUSTODY OF THE COMPETENT DIVISION OF RESEARCH AND DEVELOPMENT DEPARTMENT EXCEPT AS AUTHORIZED BY COMPAL ELECTRONICS, INC. NEITHER THIS SHEET NOR THE INFORMATION IT CONTAINS MAY BE USED BY OR DISCLOSED TO ANY THIRD PARTY WITHOUT PRIOR WRITTEN CONSENT OF COMPAL ELECTRONICS, INC.				Document Number	LS-A481P Cardreader/ComboJack/USB	Rev
				Date:	Monday, June 24, 2013	Sheet 1 of 3

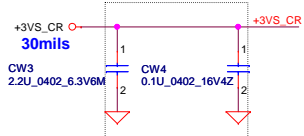
For power consumption measurement and remove it after Pre-MP phase



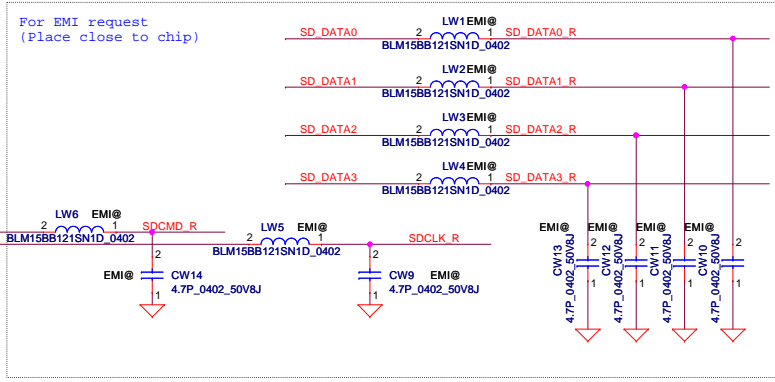
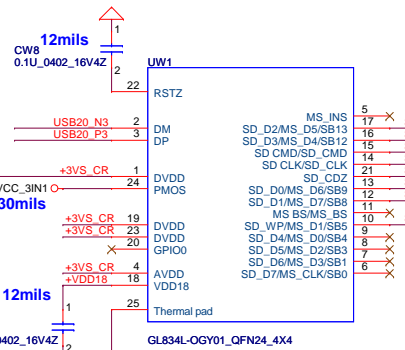
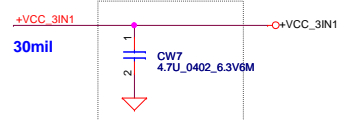
please close the pin19 of UW1



please close the pin4 of UW1



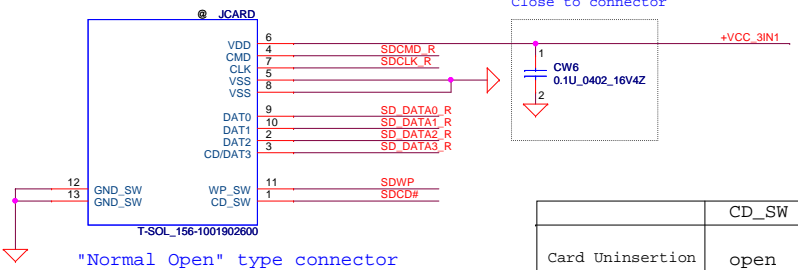
Close to IC



	NC (default)	10K pull down
GPIO0	Power saving mode	Normal mode

De-coupling and Bulk capacitor should place near to Cardreader chip and Combo Socket

< 2 in 1 Card Reader >

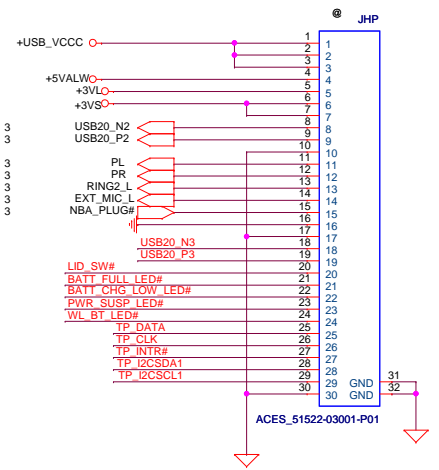


"Normal Open" type connector

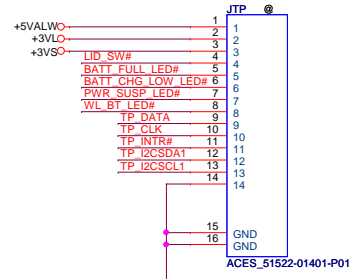
Close to connector

	CD_SW	WP_SW	
Card Uninsertion	open	Protect disable	Protect Enable
		open	open
Card Insertion	close	Open	Close

USB board to M/B



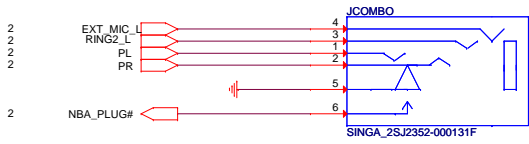
USB board to LED board



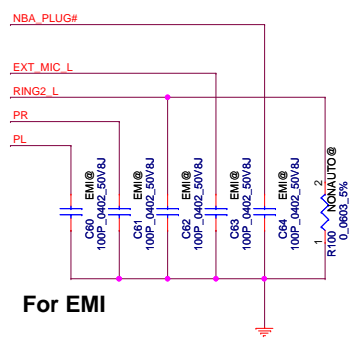
Security Classification	Compal Secret Data			Title	Rev
Issued Date	2012/10/18	Deciphered Date	2013/10/18		
THIS SHEET OF ENGINEERING DRAWING IS THE PROPRIETARY PROPERTY OF COMPAL ELECTRONICS, INC. AND CONTAINS CONFIDENTIAL AND TRADE SECRET INFORMATION. THIS SHEET MAY NOT BE TRANSFERRED FROM THE CUSTODY OF THE COMPETENT DIVISION OF R&D DEPARTMENT EXCEPT AS AUTHORIZED BY COMPAL ELECTRONICS, INC. NEITHER THIS SHEET NOR THE INFORMATION IT CONTAINS MAY BE USED BY OR DISCLOSED TO ANY THIRD PARTY WITHOUT PRIOR WRITTEN CONSENT OF COMPAL ELECTRONICS, INC.				Document Number	1.0
				Date	Friday, June 14, 2013
				Sheet	2 of 3

Card reader

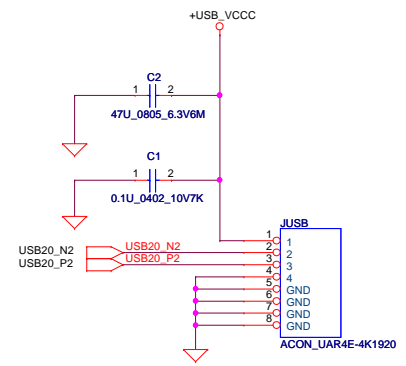
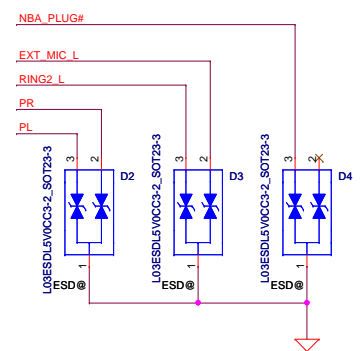
COMBO JACK



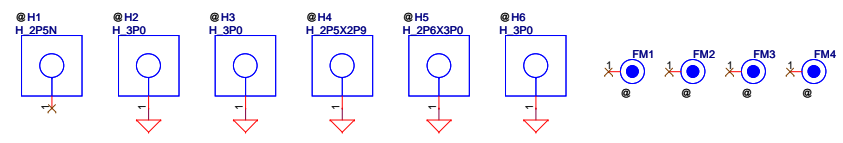
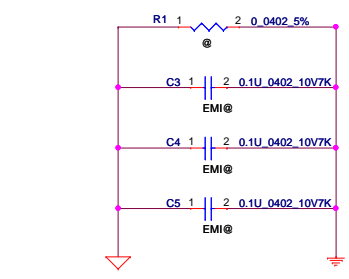
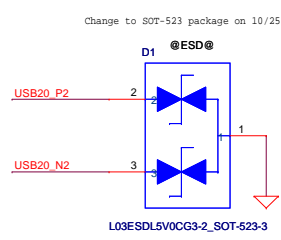
Normal Open



For EMI



USB 2.0 x 1



Security Classification	Compal Secret Data			Title
Issued Date	2012/10/18	Deciphered Date	2013/10/18	
THIS SHEET OF ENGINEERING DRAWING IS THE PROPRIETARY PROPERTY OF COMPAL ELECTRONICS, INC. AND CONTAINS CONFIDENTIAL AND TRADE SECRET INFORMATION. THIS SHEET MAY NOT BE TRANSFERRED FROM THE CUSTODY OF THE COMPETENT DIVISION OF R&D DEPARTMENT EXCEPT AS AUTHORIZED BY COMPAL ELECTRONICS, INC. NEITHER THIS SHEET NOR THE INFORMATION IT CONTAINS MAY BE USED BY OR DISCLOSED TO ANY THIRD PARTY WITHOUT PRIOR WRITTEN CONSENT OF COMPAL ELECTRONICS, INC.				Document Number Custom Rev 1.0
Date:	Friday, June 21, 2013	Sheet	3 of 3	

ZRMAA LS-A481P SCHEMATIC CHANGE LIST

REVISION CHANGE:

GERBER-OUT DATE:

NO	DATE	PAGE	MODIFICATION LIST	PURPOSE
1	04/23	03	Change the JCOMBO, JUSB Connector	For ME change
2	04/25	03	Add C3,C4,C5	For EMI
3	04/25	03	Remove LR5	For EMI
4	04/25	03	Add D4	For co-lay ALC283, need to add signal
5	04/25	03	Change JHP Pin define	For add new signal
6	05/08	03	Remove @ of C2	For USB issue
7	05/17	03	Add ESD@ of D2, D3, D4	For ESD
8	06/10	02	Change CW1 (0402 2.2u to 0603 22u)	For USB issue
9	06/14		Add R100 to force nonauto	For Plug-in noise
10	06/20	03	Add @ of R1	For audio noise
11	06/21	03	Add @ of H6	

Title			
<Title>			
Size	Document Number	Rev	Code
Custom	<Doc>	<Rev	<Code>
Date:	Monday, June 24, 2013	Sheet	4 of 4