

Compal Confidential

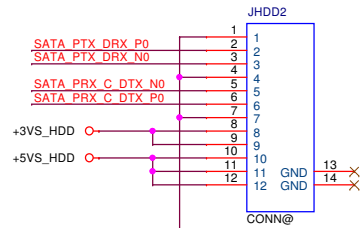
Mimic HDD Board Schematics Document

11.6" HDD

Pre-MP
2012-04-11
Rev : 1.0

Security Classification	Compal Secret Data		Compal Electronics, Inc.	
Issued Date	2011/11/09	Deciphered Date	2012/11/09	Title
THIS SHEET OF ENGINEERING DRAWING IS THE PROPRIETARY PROPERTY OF COMPAL ELECTRONICS, INC. AND CONTAINS CONFIDENTIAL AND TRADE SECRET INFORMATION. THIS SHEET MAY NOT BE TRANSFERRED FROM THE CUSTODY OF THE COMPETENT DIVISION OF RESEARCH AND DEVELOPMENT EXCEPT AS AUTHORIZED BY COMPAL ELECTRONICS, INC. NEITHER THIS SHEET NOR THE INFORMATION IT CONTAINS MAY BE USED BY OR DISCLOSED TO ANY THIRD PARTY WITHOUT PRIOR WRITTEN CONSENT OF COMPAL ELECTRONICS, INC.				Document Number
				Rev
				1.0
				Date: Thursday, April 12, 2012
				Sheet 1 of 2

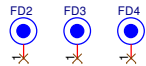
HB_R0P65X4P8-P1_12P



Hot bar

11/28 ZIF FFC footprint is E&T 6905-E12N-00R 12P (SP01000E000)

11/29 Modify signal name.

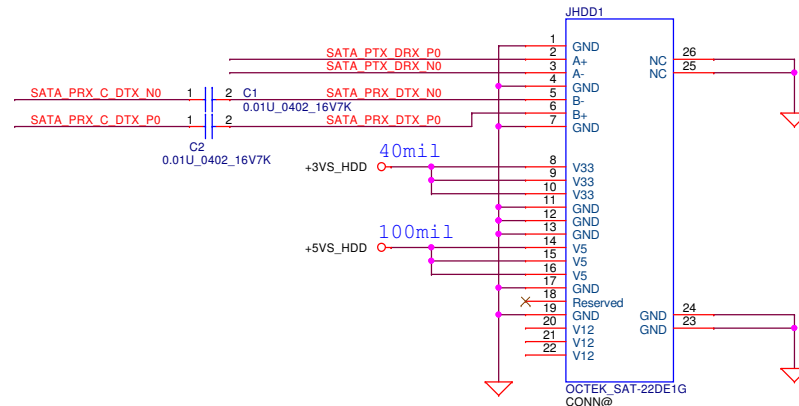
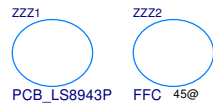


01/19 Remove FD1 by layout team.



11/29 Moved from the MB to SB.

02/03 Moved from the SB to MB by ME.



11/28 HDD Conn. footprint is SANTA_192301-1_22P (DC010003Y00)

11/29 Modify signal name.

12/21 HDD Conn. is SANTA_191501-1_22P (DC010005W00)

1/2 Pin25&Pin26 to GND

Security Classification		Compal Secret Data		Compal Electronics, Inc.	
Issued Date	2010/11/09	Deciphered Date	2012/11/09	Title	
THIS SHEET OF ENGINEERING DRAWING IS THE PROPRIETARY PROPERTY OF COMPAL ELECTRONICS, INC. AND CONTAINS CONFIDENTIAL AND TRADE SECRET INFORMATION. THIS SHEET MAY NOT BE TRANSFERRED FROM THE CUSTODY OF THE COMPETENT DIVISION OF R&D DEPARTMENT EXCEPT AS AUTHORIZED BY COMPAL ELECTRONICS, INC. NEITHER THIS SHEET NOR THE INFORMATION IT CONTAINS MAY BE USED BY OR DISCLOSED TO ANY THIRD PARTY WITHOUT PRIOR WRITTEN CONSENT OF COMPAL ELECTRONICS, INC.				Size Custom	Document Number
				Mimic HR&CR HDD Schematics	
				Date:	Thursday, April 12, 2012
				Sheet	2 of 2
				Rev	1.0