

Compal Confidential

IO Board Schematics Document

USB Port + Audio JACK + INT Mic

11.6" IO / B

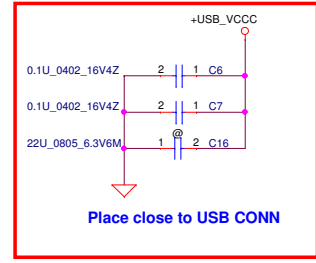
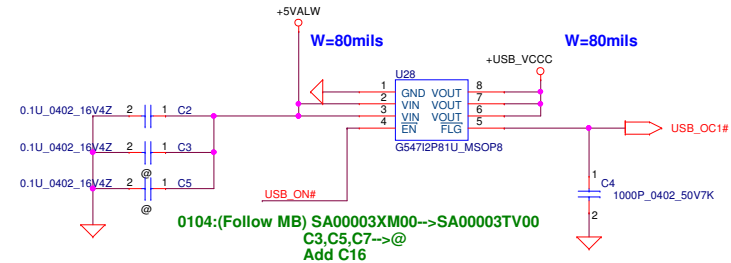
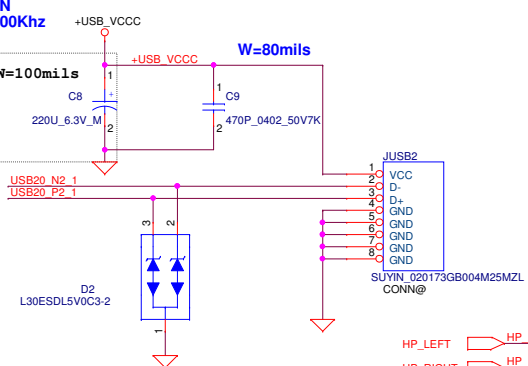
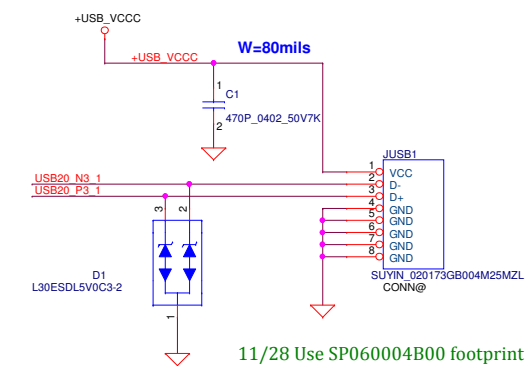
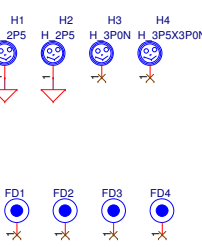
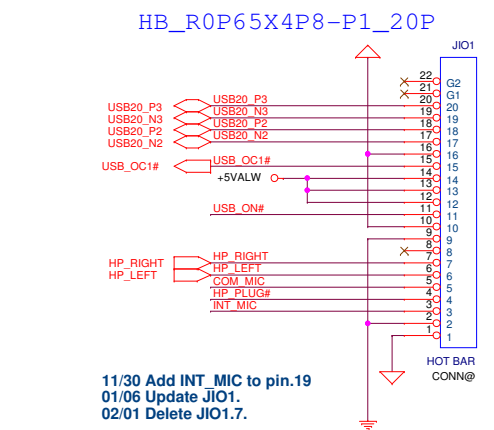
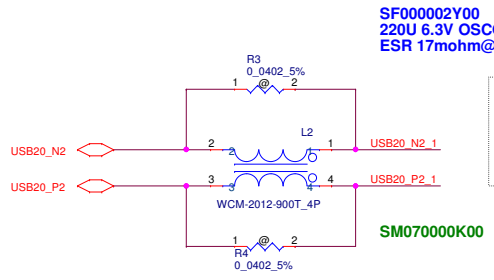
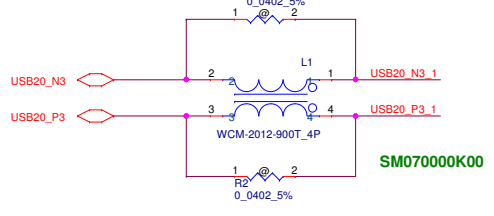
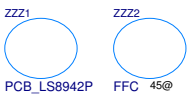
Pre-MP

2012-04-12

Rev : 1.0

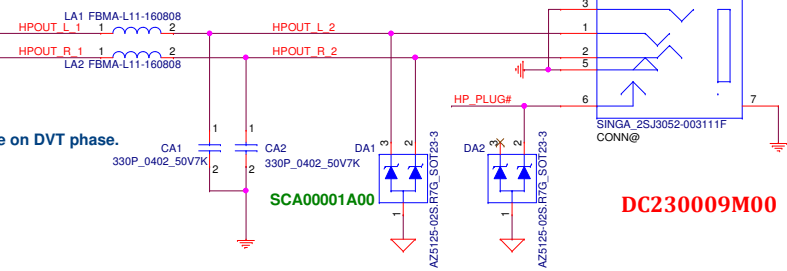
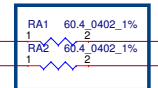
Security Classification	Compal Secret Data		Compal Electronics, Inc.	
Issued Date	2011/11/09	Deciphered Date	2012/11/09	Title
THIS SHEET OF ENGINEERING DRAWING IS THE PROPRIETARY PROPERTY OF COMPAL ELECTRONICS, INC. AND CONTAINS CONFIDENTIAL AND TRADE SECRET INFORMATION. THIS SHEET MAY NOT BE TRANSFERRED FROM THE CUSTODY OF THE COMPETENT DIVISION OF RESEARCH AND DEVELOPMENT DEPARTMENT EXCEPT AS AUTHORIZED BY COMPAL ELECTRONICS, INC. NEITHER THIS SHEET NOR THE INFORMATION IT CONTAINS MAY BE USED BY OR DISCLOSED TO ANY THIRD PARTY WITHOUT PRIOR WRITTEN CONSENT OF COMPAL ELECTRONICS, INC.				Document Number
				Customer
				Date: Friday, April 13, 2012
				Sheet 1 of 2
				Rev 1.0
				MIMIC IO/B Schematics

Left Side USB CONN.

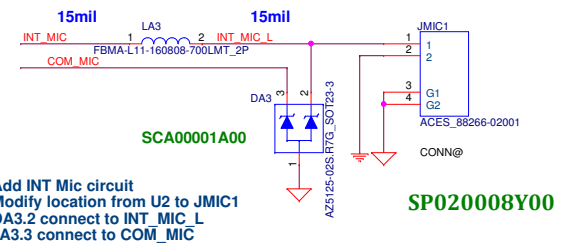
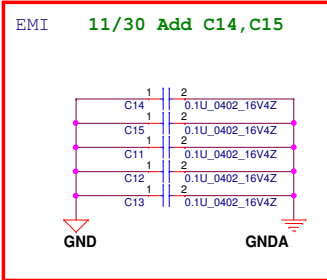


11/28 Use SP060004B00 footprint for USB conn.

02/29 Modify RA1/RA2 from 39 ohm to 47.5 ohm by vendor's suggested.
03/28 Modify RA1/RA2 from 47.5 ohm to 60.4 ohm by vendor's suggested base on DVT phase.



02/01 Change LTCX0045600 to LTCX003Z200.(Follow Q5LJ1)
02/01 DA2.3 is no connect.
04/13 Part number modify from LTCX003Z200 to DC230009M00



11/30 Add INT Mic circuit
01/31 Modify location from U2 to JM1C1
02/01 DA3.2 connect to INT_MIC_L
DA3.3 connect to COM_MIC

Security Classification		Compal Secret Data		Compal Electronics, Inc.	
Issued Date	2011/11/09	Deciphered Date	2012/11/09	Title	
THIS SHEET OF ENGINEERING DRAWING IS THE PROPRIETARY PROPERTY OF COMPAL ELECTRONICS, INC. AND CONTAINS CONFIDENTIAL AND TRADE SECRET INFORMATION. THIS SHEET MAY NOT BE TRANSFERRED FROM THE CUSTODY OF THE COMPETENT DIVISION OF COMPAL ELECTRONICS, INC. DEPARTMENT EXCEPT AS AUTHORIZED BY COMPAL ELECTRONICS, INC. NEITHER THIS SHEET NOR THE INFORMATION IT CONTAINS MAY BE USED BY OR DISCLOSED TO ANY THIRD PARTY WITHOUT PRIOR WRITTEN CONSENT OF COMPAL ELECTRONICS, INC.				Document Number	Rev
				USB PORTS / JACK	
				MIMIC IO/B Schematics	
				Date:	Friday, April 13, 2012
				Sheet	2 of 2