

Compal Confidential

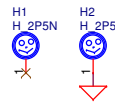
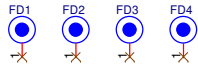
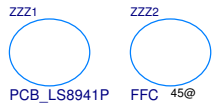
Mimic LED Board Schematics Document

11.6" LED / B

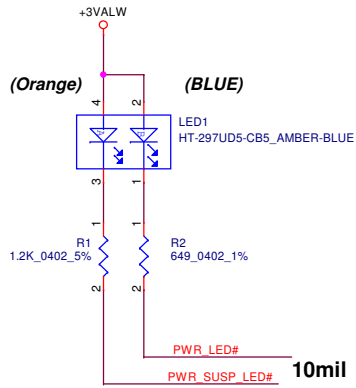
Pre-MP
2012-04-11
Rev : 1.0

Security Classification	Compal Secret Data		Compal Electronics, Inc.			
Issued Date	2011/11/09	Deciphered Date	2012/11/09	Title		
THIS SHEET OF ENGINEERING DRAWING IS THE PROPRIETARY PROPERTY OF COMPAL ELECTRONICS, INC. AND CONTAINS CONFIDENTIAL AND TRADE SECRET INFORMATION. THIS SHEET MAY NOT BE TRANSFERRED FROM THE CUSTODY OF THE COMPETENT DIVISION OF RESEARCH AND DEVELOPMENT DEPARTMENT EXCEPT AS AUTHORIZED BY COMPAL ELECTRONICS, INC. NEITHER THIS SHEET NOR THE INFORMATION IT CONTAINS MAY BE USED BY OR DISCLOSED TO ANY THIRD PARTY WITHOUT PRIOR WRITTEN CONSENT OF COMPAL ELECTRONICS, INC.				Document Number	Rev	
				Custom	Mimic LED Schematics	1.0
				Date:	Wednesday, April 11, 2012	Sheet 1 of 2

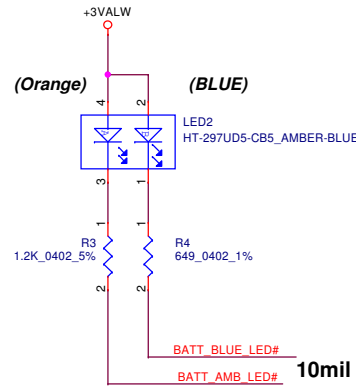
LED BOARD



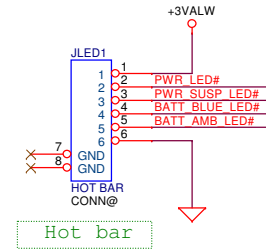
POWER_LED



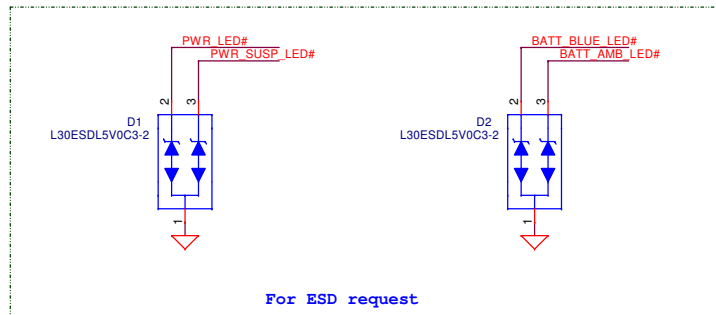
BATT_LED



HB_R0P65X5P2-P1_6P



01/17 Reverse



Security Classification		Compal Secret Data		Compal Electronics, Inc.	
Issued Date	2011/11/09	Deciphered Date	2012/11/09	Title	
THIS SHEET OF ENGINEERING DRAWING IS THE PROPRIETARY PROPERTY OF COMPAL ELECTRONICS, INC. AND CONTAINS CONFIDENTIAL AND TRADE SECRET INFORMATION. THIS SHEET MAY NOT BE TRANSFERRED FROM THE CUSTODY OF THE COMPETENT DIVISION OF R&D DEPARTMENT EXCEPT AS AUTHORIZED BY COMPAL ELECTRONICS, INC. NEITHER THIS SHEET NOR THE INFORMATION IT CONTAINS MAY BE USED BY OR DISCLOSED TO ANY THIRD PARTY WITHOUT PRIOR WRITTEN CONSENT OF COMPAL ELECTRONICS, INC.				LED Board	
Size	Document Number	MIMIC LED Schematics		Rev	1.0
Customer	Date: Wednesday, April 11, 2012				Sheet 2 of 2