

COMPAL CONFIDENTIAL

MODEL NAME : *QAM00*

PCB NO : *LA-7731P*

BOM P/N : *4319ET31L01*

GPIO MAP:

Dalmore 12 UMA

Ivy Bridge + Panther POINT

2011-8-30

REV : 0.3 (X01)

@ : Nopop Component

CONN@ : Connector Component

MB Type	BOM P/N	
M/B SPI ROM		5@
TAA SPI ROM		6@
SATA re-driver with CD function		7@
Normal E-SATA re-driver		8@

MB PCB

Part Number	Description
DA6000P700	PCB OFH LA-7731P REV0 M/B UMA

@HDMI Royalty

Part Number	Description
RO000002HM	HDMI Royalty

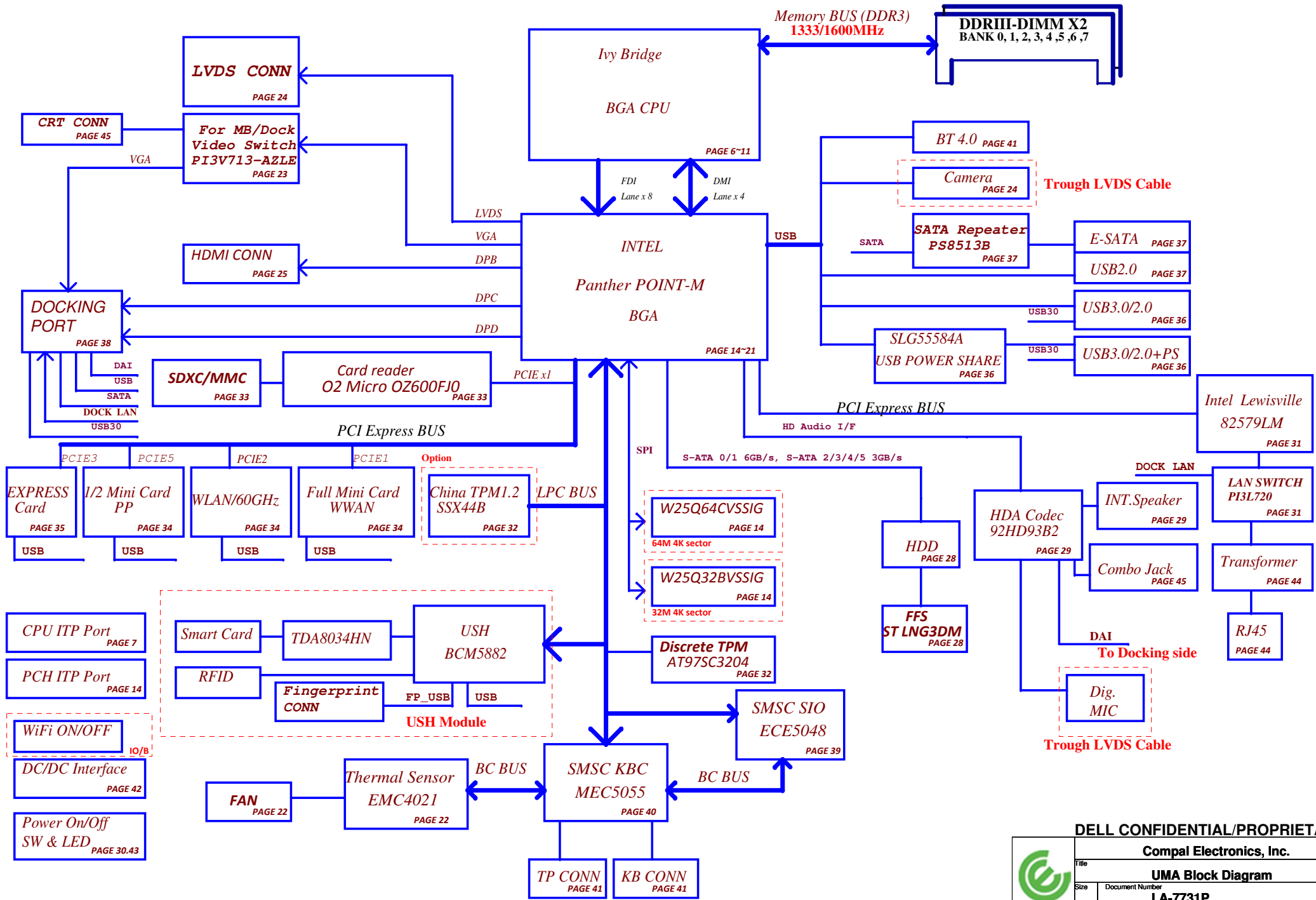
PROPRIETARY NOTE: THIS SHEET OF ENGINEERING DRAWING AND SPECIFICATIONS CONTAINS CONFIDENTIAL TRADE SECRET AND OTHER PROPRIETARY INFORMATION OF DELL INC. ("DELL"). THIS DOCUMENT MAY NOT BE TRANSFERRED OR COPIED WITHOUT THE EXPRESS WRITTEN AUTHORIZATION OF DELL. IN ADDITION, NEITHER THIS SHEET NOR THE INFORMATION IT CONTAINS MAY BE USED BY OR DISCLOSED TO ANY THIRD PARTY WITHOUT DELL'S EXPRESS WRITTEN CONSENT.

DELL CONFIDENTIAL/PROPRIETARY



Compal Electronics, Inc.			
Title	Cover Sheet		
Size	Document Number	Rev	
	LA-7731P	0.3	
Date:	Thursday, September 01, 2011	Sheet	1 of 99

Block Diagram



DELL CONFIDENTIAL/PROPRIETARY

Compal Electronics, Inc.			
UMA Block Diagram			
Size	Document Number	Rev	
	LA-7731P	0.3	
Date:	Thursday, September 01, 2011	Sheet	2 of 59

POWER STATES

Signal State	SLP S3#	SLP S4#	SLP S5#	SLP A#	ALWAYS PLANE	M PLANE	SUS PLANE	RUN PLANE	CLOCKS
S0 (Full ON) / M0	HIGH	HIGH	HIGH	HIGH	ON	ON	ON	ON	ON
S3 (Suspend to RAM) / M3	LOW	HIGH	HIGH	HIGH	ON	ON	ON	OFF	OFF
S4 (Suspend to DISK) / M3	LOW	LOW	HIGH	HIGH	ON	ON	OFF	OFF	OFF
S5 (SOFT OFF) / M3	LOW	LOW	LOW	HIGH	ON	ON	OFF	OFF	OFF
S3 (Suspend to RAM) / M-OFF	LOW	HIGH	HIGH	LOW	ON	OFF	ON	OFF	OFF
S4 (Suspend to DISK) / M-OFF	LOW	LOW	HIGH	LOW	ON	OFF	OFF	OFF	OFF
S5 (SOFT OFF) / M-OFF	LOW	LOW	LOW	LOW	ON	OFF	OFF	OFF	OFF

PM TABLE

power plane State	+15V_ALW +5V_ALW +3.3V_ALW_PCH +3.3V_RTC_LDO	+3.3V_SUS +1.5V_MEM	+5V_RUN +3.3V_RUN +1.8V_RUN +1.5V_RUN +0.75V_DDR_VTT +VCC_CORE +1.05V_RUN_VTT +1.05V_RUN	+3.3V_M +1.05V_M (M-OFF)	+3.3V_M +1.05V_M (M-OFF)
S0	ON	ON	ON	ON	ON
S3	ON	ON	OFF	ON	OFF
S5 S4/AC	ON	OFF	OFF	ON	OFF
S5 S4/AC don't exist	OFF	OFF	OFF	OFF	OFF

need to update Power Status and PM Table

Layer No.	Name	Er	Material	Thickness (Material SPEC.) Unit : mil	Thickness (Actuality) Unit : mil
			SolderMask	IT-158	0.50
			Add Plating		1.00
1	Top		Copper foil	0.5oz	0.65
		3.7	Prepreg	1080	2.60
2	GND/PWR		Copper foil	1oz	1.35
		3.7	Core	4mil	3.91
3	Slg 1		Copper foil	1oz	1.35
		4.7	Prepreg	7628HRC+2116HRCx2+7628HRC	23.80
4	Slg 2		Copper foil	1oz	1.35
		3.7	Core	4mil	3.91
5	GND/PWR		Copper foil	1oz	1.35
		3.7	Prepreg	1080	2.60
6	Bottom		Copper foil	0.5oz	0.65
			Add Plating		1.00
			SolderMask		0.50
Overall Thickness (1.2mm ± 10%)				47.6	46.32000

SATA	DESTINATION
SATA 0	HDD
SATA 1	NA
SATA 2	NA
SATA 3	NA
SATA 4	ESATA
SATA 5	Dock

PCH	USB PORT#	DESTINATION
	0	JUSB1 (Right side)
	1	JUSB2 (Bot side)
	2	NA
	3	MLK DOCK
	4	WLAN
	5	WWAN
	6	JMINI3(PP)
	7	USH->BIO
	8	DOCKING
	9	JESATA1 (Left)
	10	Express card
	11	Bluetooth
	12	Camera
13	NA	

USH	0	BIO
	1	NA

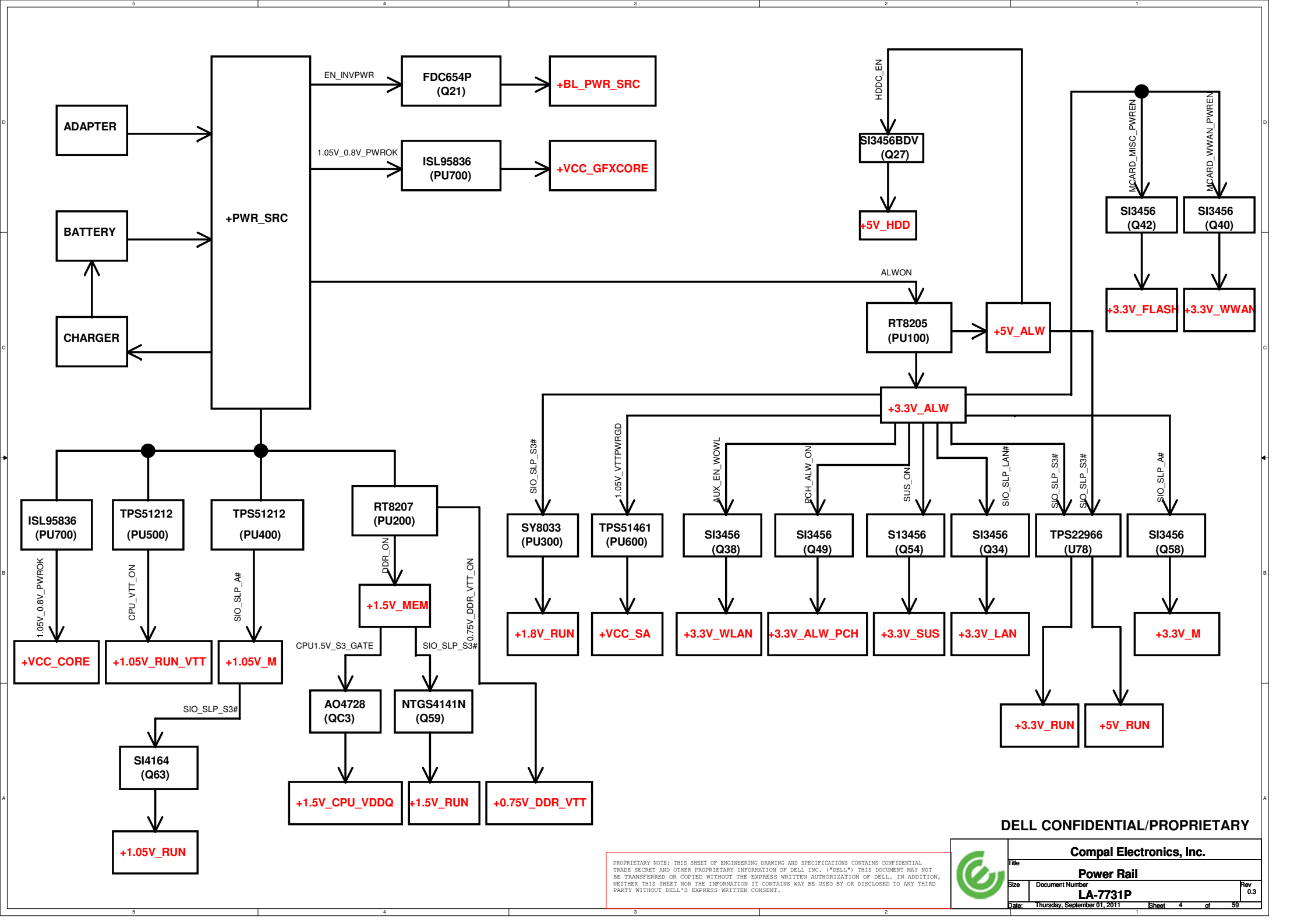
PCI EXPRESS	DESTINATION
Lane 1	MINI CARD-1 WWAN
Lane 2	MINI CARD-2 WLAN
Lane 3	Express card
Lane 4	None
Lane 5	1/2vMINI CARD-3 PCIE
Lane 6	MMI
Lane 7	10/100/1G LOM
Lane 8	None

UMA DP/HDMI Port	Connetion
Port B	MB HDMI Conn
Port C	Dock DP port 2
Port D	Dock DP port 1

DELL CONFIDENTIAL/PROPRIETARY

Compal Electronics, Inc.	
Index and Config.	
File	Rev 0.3
Size	Document Number
LA-7731P	
Date:	Thursday, September 01, 2011 ESheet 3 of 59

PROPRIETARY NOTE: THIS SHEET OF ENGINEERING DRAWING AND SPECIFICATIONS CONTAINS CONFIDENTIAL TRADE SECRET AND OTHER PROPRIETARY INFORMATION OF DELL INC. ("DELL") THIS DOCUMENT MAY NOT BE TRANSFERRED OR COPIED WITHOUT THE EXPRESS WRITTEN AUTHORIZATION OF DELL. IN ADDITION, NEITHER THIS SHEET NOR THE INFORMATION IT CONTAINS MAY BE USED BY OR DISCLOSED TO ANY THIRD PARTY WITHOUT DELL'S EXPRESS WRITTEN CONSENT.

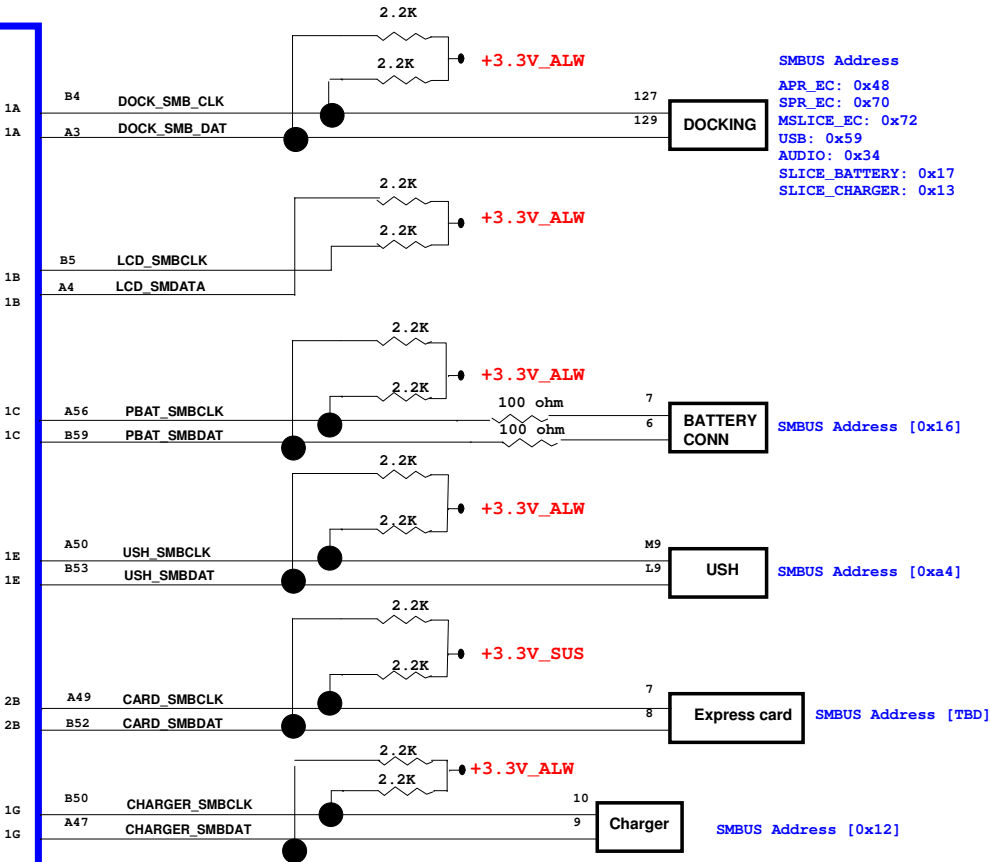
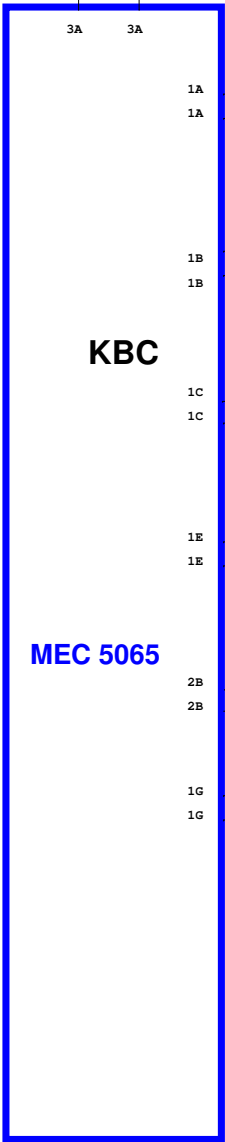
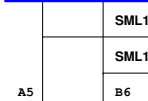
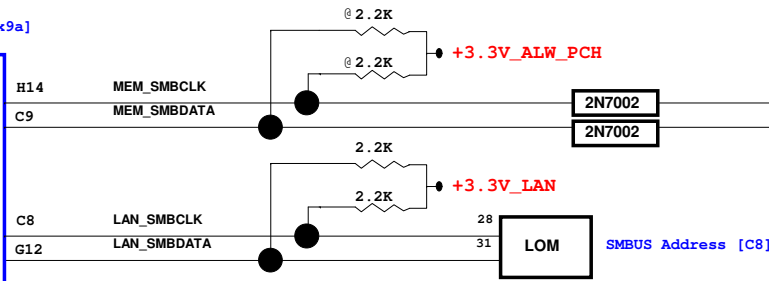
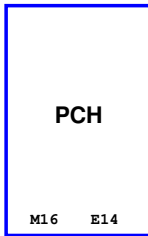


DELL CONFIDENTIAL/PROPRIETARY

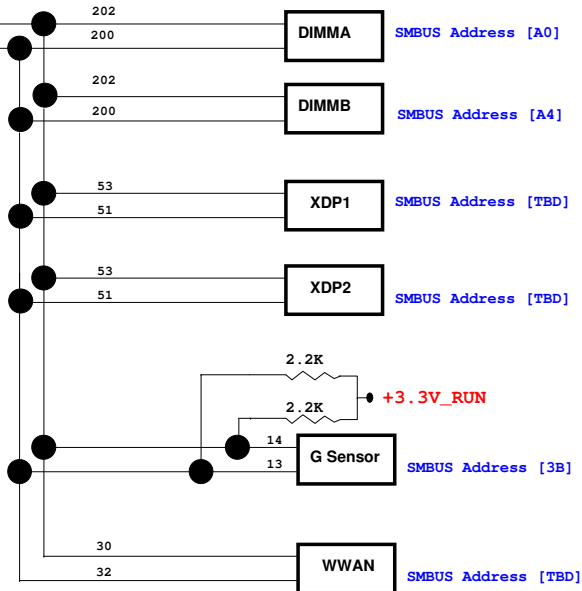
Compal Electronics, Inc.			
Power Rail			
File	Document Number		
Size	LA-7731P		
Date	Thursday, September 01, 2011	Sheet	4 of 59
Rev	0.3		

PROPRIETARY NOTE: THIS SHEET OF ENGINEERING DRAWING AND SPECIFICATIONS CONTAINS CONFIDENTIAL TRADE SECRET AND OTHER PROPRIETARY INFORMATION OF DELL INC. ("DELL"). THIS DOCUMENT MAY NOT BE TRANSFERRED OR COPIED WITHOUT THE EXPRESS WRITTEN AUTHORIZATION OF DELL. IN ADDITION, NEITHER THIS SHEET NOR THE INFORMATION IT CONTAINS MAY BE USED BY OR DISCLOSED TO ANY THIRD PARTY WITHOUT DELL'S EXPRESS WRITTEN CONSENT.

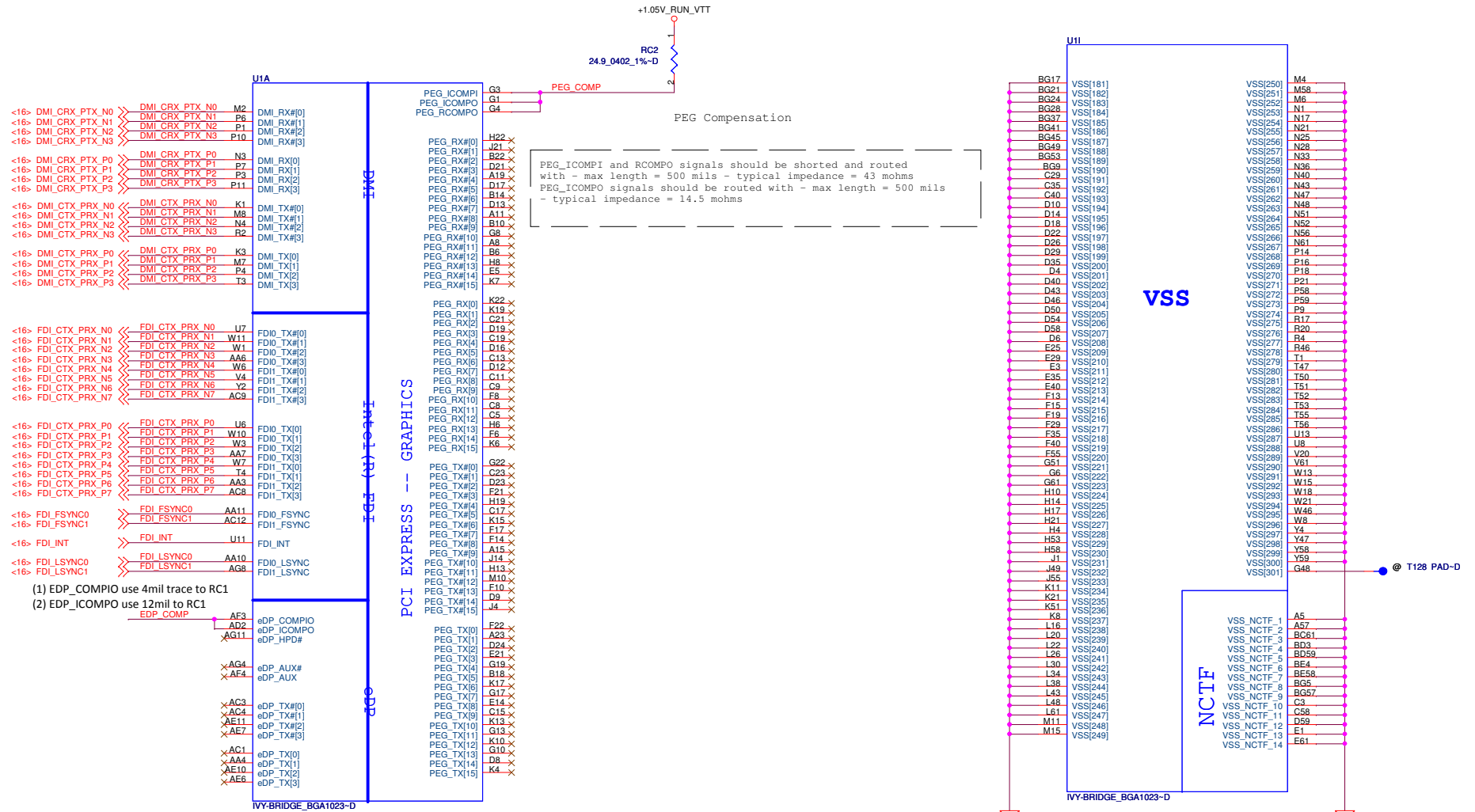
SMBUS Address [0x9a]



SMBUS Address
APR_EC: 0x48
SPR_EC: 0x70
MSLICE_EC: 0x72
USB: 0x59
AUDIO: 0x34
SLICE_BATTERY: 0x17
SLICE_CHARGER: 0x13



- (1) PEG_RCOMP0 (G4) use 4mil connect to PEG_ICOMPI, then use 4mil connect to RC2.
- (2) PEG_ICOMPO use 12mil connect to RC2.



PEG_ICOMPI and RCOMP0 signals should be shorted and routed with - max length = 500 mils - typical impedance = 43 mohms
 PEG_ICOMPO signals should be routed with - max length = 500 mils - typical impedance = 14.5 mohms

- (1) EDP_COMPIO use 4mil trace to RC1
- (2) EDP_ICOMPO use 12mil to RC1

eDP Compensation

+1.05V_RUN_VTT

RC1
24.9_0402_1%-D

EDP_COMP

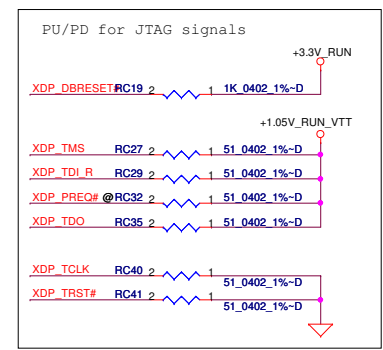
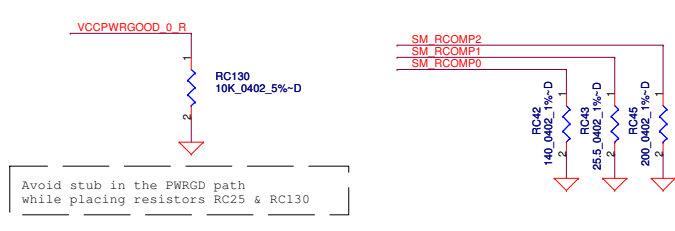
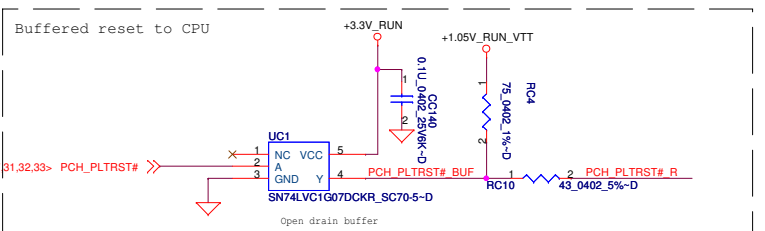
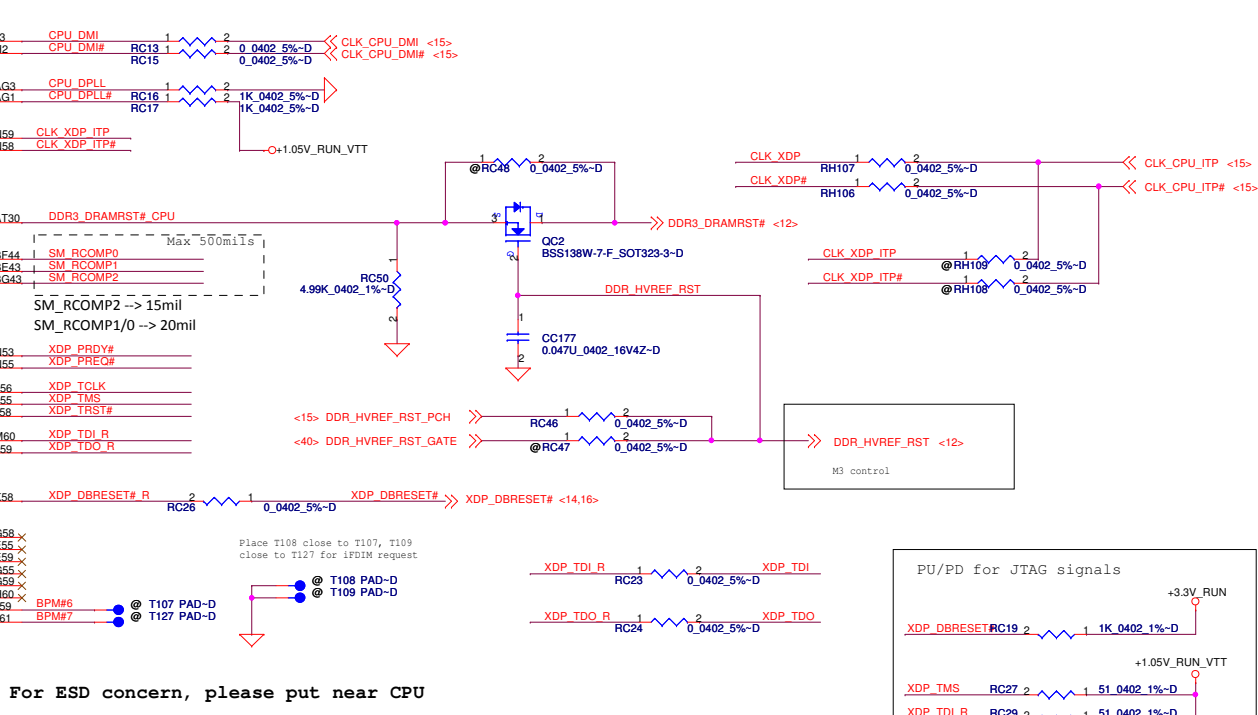
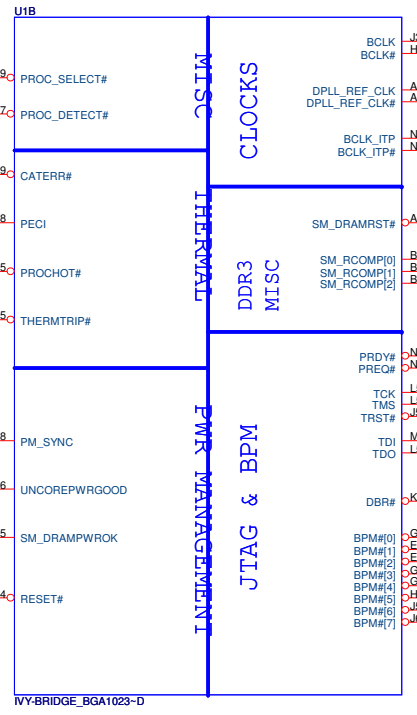
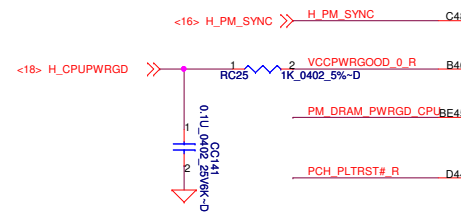
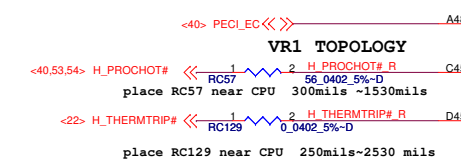
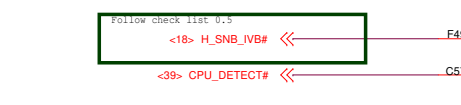
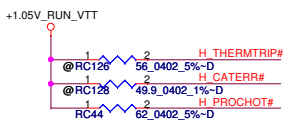
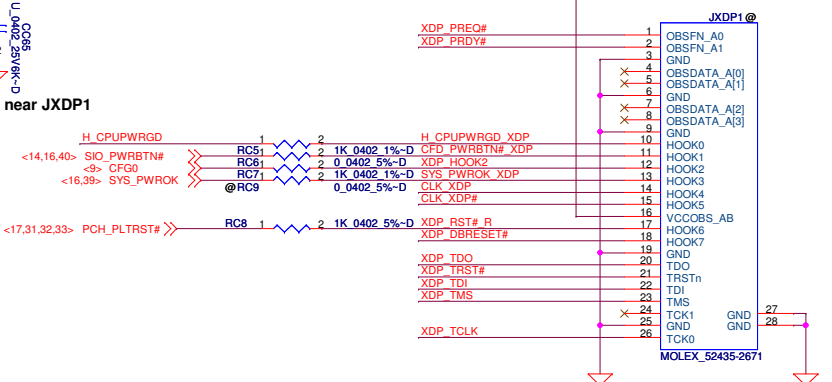
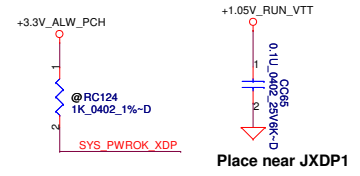
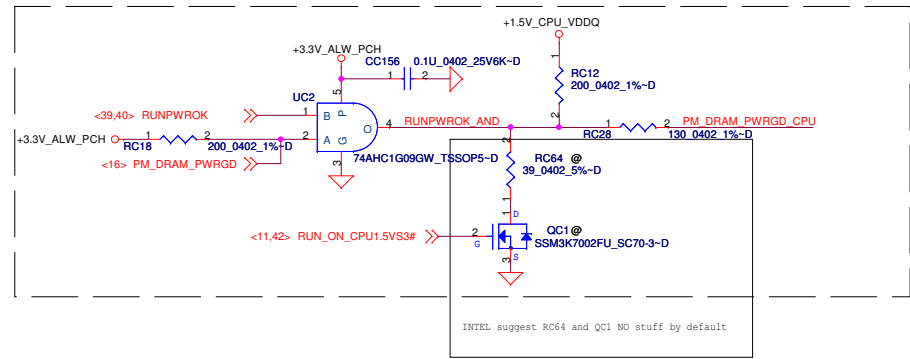
eDP_COMPIO and ICOMPO signals should be shorted near balls and routed with typical impedance <25 mohms

DELL CONFIDENTIAL/PROPRIETARY

Compal Electronics, Inc.
 Sandy Bridge (1/6)
 LA-7731P

Size: Document Number
 Date: Thursday, September 01, 2011 Sheet 6 of 59

PROPRIETARY NOTE: THIS SHEET OF ENGINEERING DRAWING AND SPECIFICATIONS CONTAINS CONFIDENTIAL TRADE SECRET AND OTHER PROPRIETARY INFORMATION OF DELL INC. ("DELL") THIS DOCUMENT MAY NOT BE TRANSFERRED OR COPIED WITHOUT THE EXPRESS WRITTEN AUTHORIZATION OF DELL. IN ADDITION, NEITHER THIS SHEET NOR THE INFORMATION IT CONTAINS MAY BE USED BY OR DISCLOSED TO ANY THIRD PARTY WITHOUT DELL'S EXPRESS WRITTEN CONSENT.



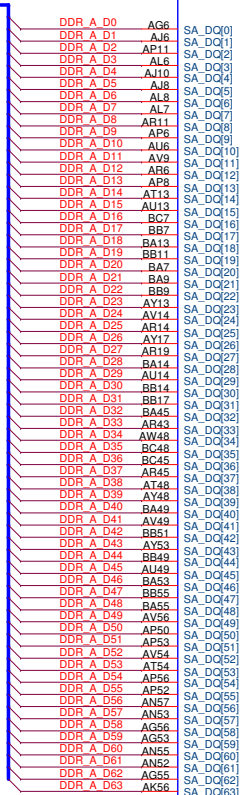
DELL CONFIDENTIAL/PROPRIETARY

Compal Electronics, Inc.
Sandy Bridge (2/6)
LA-7731P
 Date: Thursday, September 01, 2011 Sheet 7 of 59

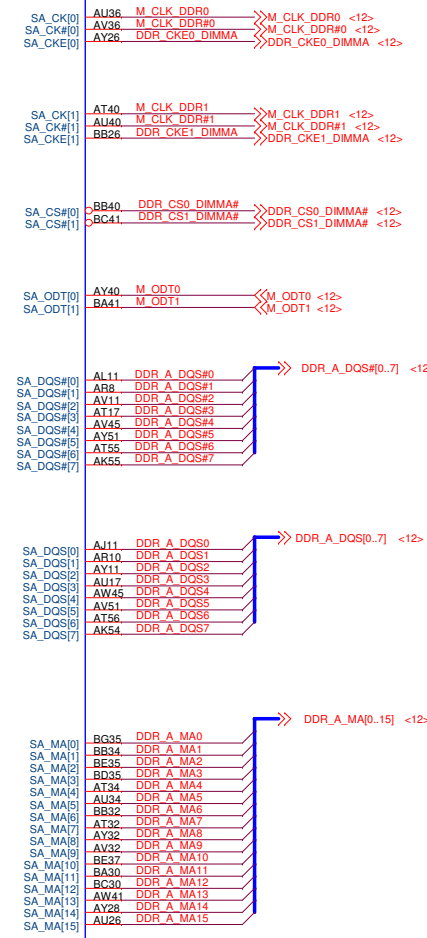
PROPRIETARY NOTE: THIS SHEET OF ENGINEERING DRAWING AND SPECIFICATIONS CONTAINS CONFIDENTIAL TRADE SECRET AND OTHER PROPRIETARY INFORMATION OF DELL INC. ("DELL") THIS DOCUMENT MAY NOT BE TRANSFERRED OR COPIED WITHOUT THE EXPRESS WRITTEN AUTHORIZATION OF DELL. IN ADDITION, NEITHER THIS SHEET NOR THE INFORMATION IT CONTAINS MAY BE USED BY OR DISCLOSED TO ANY THIRD PARTY WITHOUT DELL'S EXPRESS WRITTEN CONSENT.

<12> DDR_A_D[0..63] <<>

UIC



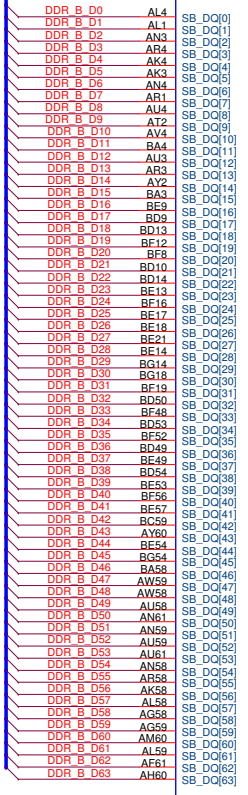
DDR SYSTEM MEMORY A



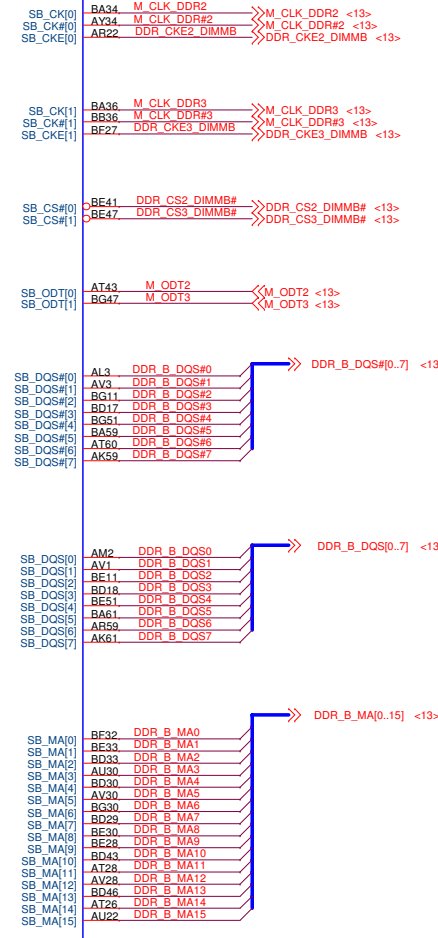
IVY-BRIDGE_BGA1023-D

<13> DDR_B_D[0..63] <<>

UID



DDR SYSTEM MEMORY B



IVY-BRIDGE_BGA1023-D

DELL CONFIDENTIAL/PROPRIETARY

Compal Electronics, Inc.

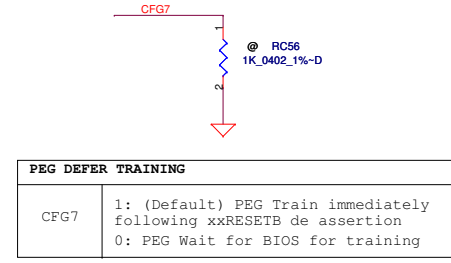
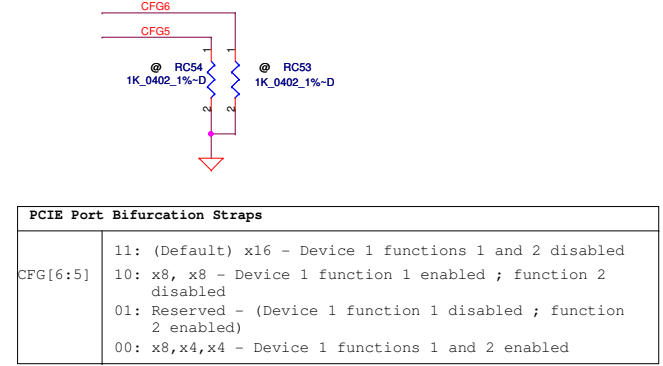
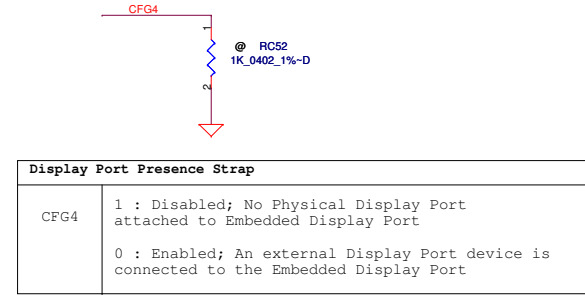
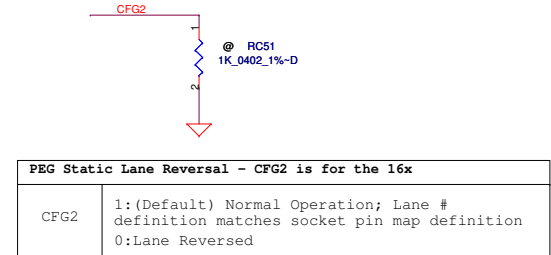
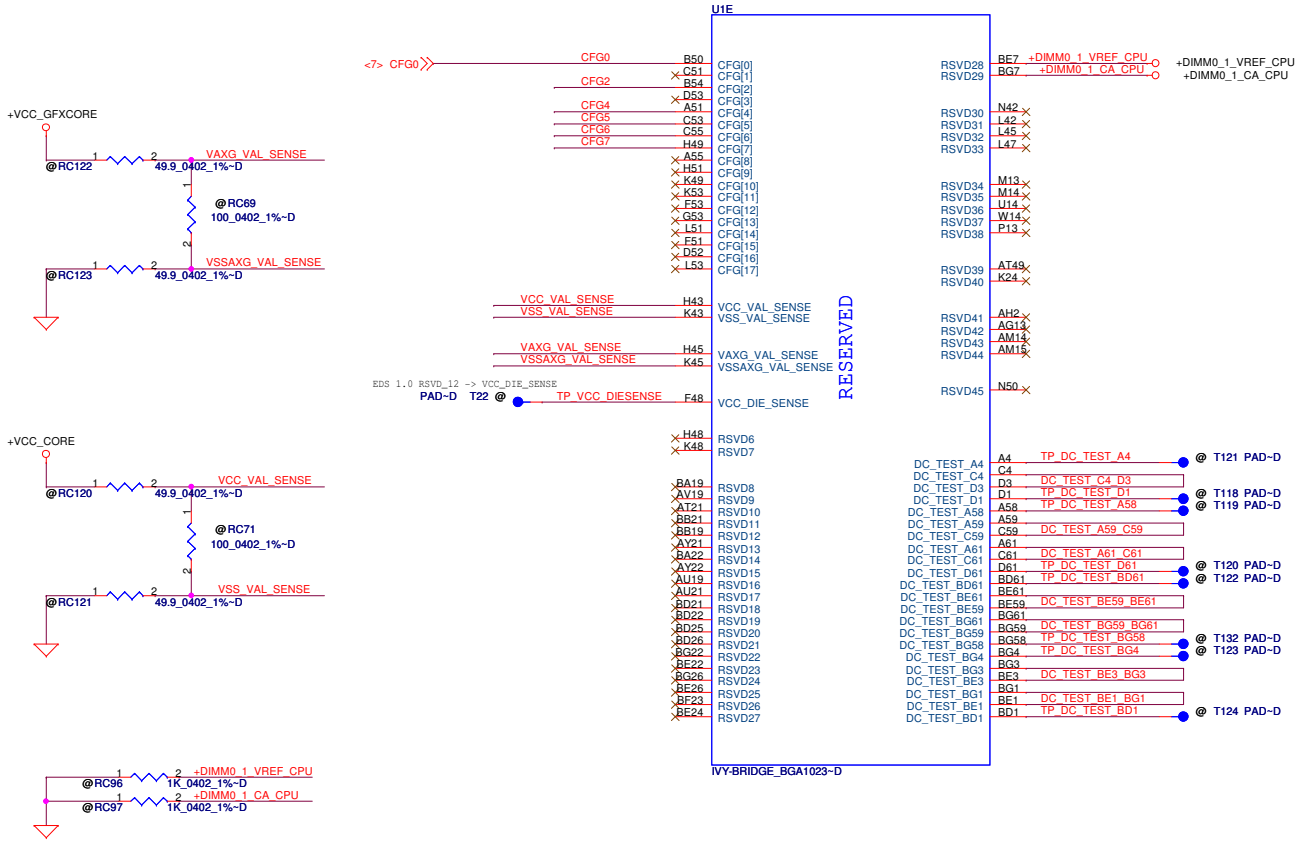
Sandy Bridge (3/6)

LA-7731P

Date: Thursday, September 01, 2011 Sheet 8 of 59

PROPRIETARY NOTE: THIS SHEET OF ENGINEERING DRAWING AND SPECIFICATIONS CONTAINS CONFIDENTIAL TRADE SECRET AND OTHER PROPRIETARY INFORMATION OF DELL INC. ("DELL") THIS DOCUMENT MAY NOT BE TRANSFERRED OR COPIED WITHOUT THE EXPRESS WRITTEN AUTHORIZATION OF DELL. IN ADDITION, NEITHER THIS SHEET NOR THE INFORMATION IT CONTAINS MAY BE USED BY OR DISCLOSED TO ANY THIRD PARTY WITHOUT DELL'S EXPRESS WRITTEN CONSENT.

CFG Straps for Processor



DELL CONFIDENTIAL/PROPRIETARY

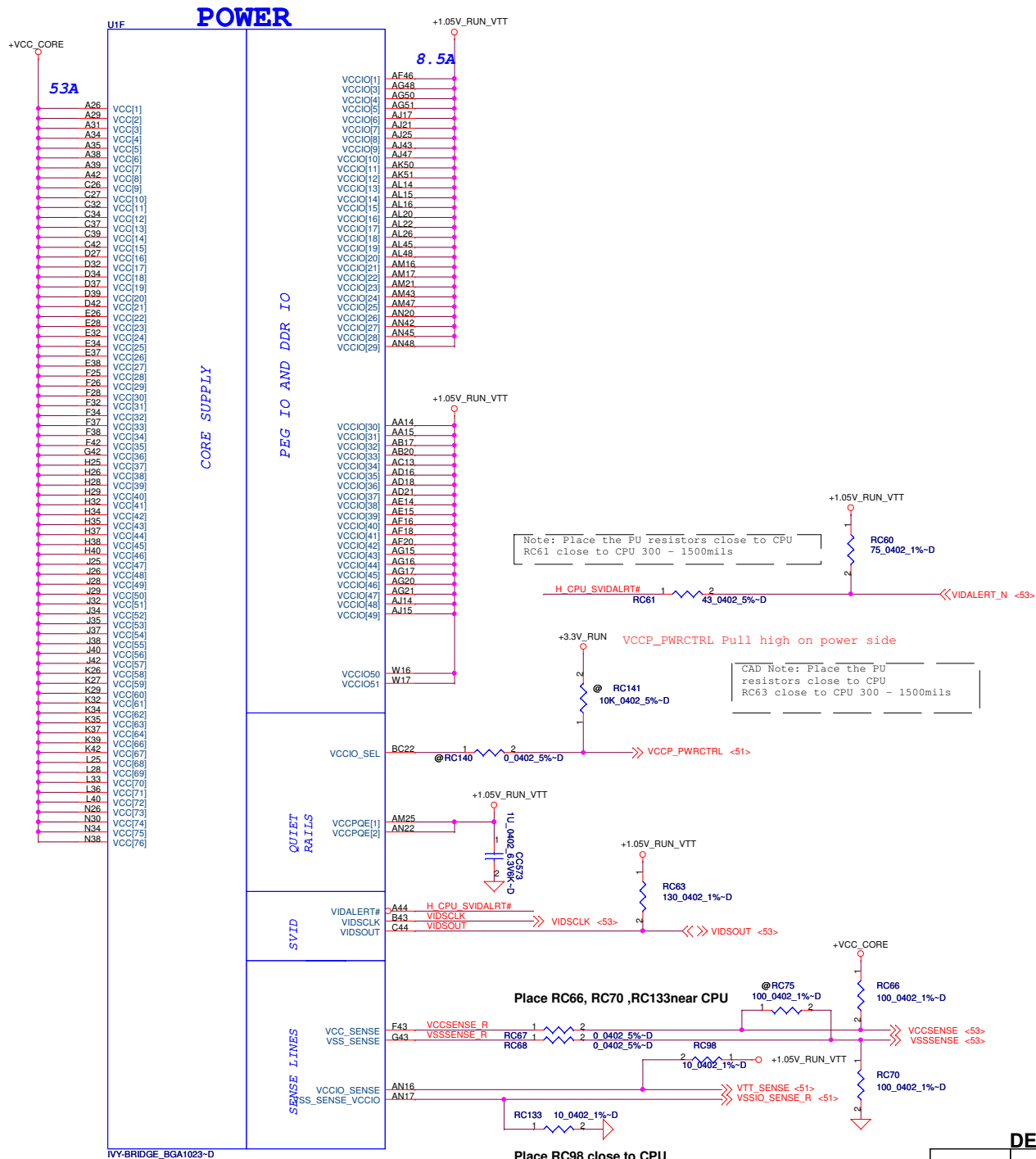
Compal Electronics, Inc.

Title: **Sandy Bridge (4/6)**

Size: **LA-7731P** Rev: **0.3**

Date: Thursday, September 01, 2011 ESheet 9 of 59

PROPRIETARY NOTE: THIS SHEET OF ENGINEERING DRAWING AND SPECIFICATIONS CONTAINS CONFIDENTIAL TRADE SECRET AND OTHER PROPRIETARY INFORMATION OF DELL INC. ("DELL") THIS DOCUMENT MAY NOT BE TRANSFERRED OR COPIED WITHOUT THE EXPRESS WRITTEN AUTHORIZATION OF DELL. IN ADDITION, NEITHER THIS SHEET NOR THE INFORMATION IT CONTAINS MAY BE USED BY OR DISCLOSED TO ANY THIRD PARTY WITHOUT DELL'S EXPRESS WRITTEN CONSENT.



Iccmax current changed for PDDG Rev0.7

CPU Power Rail Table		
Voltage Rail	Voltage	S0 Iccmax Current (A)
VCC	0.65-1.3	53
VCCIO	1.05/1	8.5
VAXG	0.0-1.1	33
VCCPLL	1.8	1.2
VDDQ	1.5	5
VCCSA	0.65-0.9	6
+1.5V_MEM	1.5	12-16 *

*** Description**

- 5A to Mem controller(+1.5V_CPU_VDDQ)
- 5-6A to 2 DIMMs/channel
- 2-5A to +1.5V_RUN & +0.75V_DDR_VTT

DELL CONFIDENTIAL/PROPRIETARY

Compal Electronics, Inc.

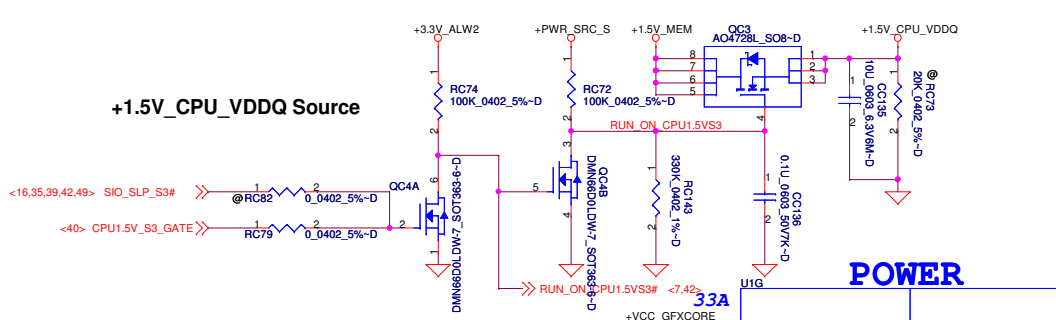
Title: **Sandy Bridge (5/6)**

Size: Document Number **LA-7731P** Rev 0.3

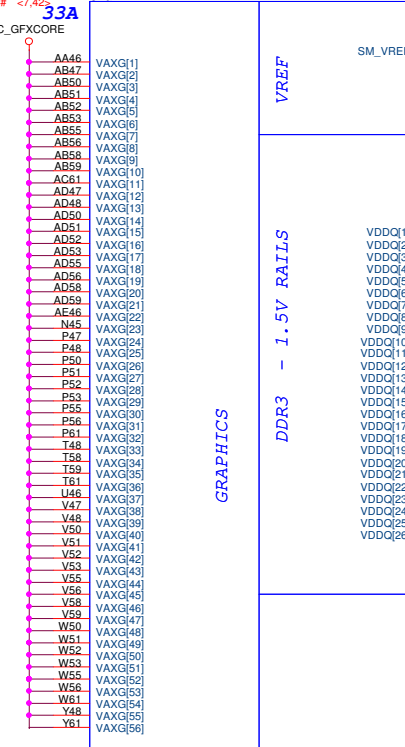
Date: Thursday, September 01, 2011 Sheet 10 of 59

PROPRIETARY NOTE: THIS SHEET OF ENGINEERING DRAWING AND SPECIFICATIONS CONTAINS CONFIDENTIAL TRADE SECRET AND OTHER PROPRIETARY INFORMATION OF DELL INC. ("DELL") THIS DOCUMENT MAY NOT BE TRANSFERRED OR COPIED WITHOUT THE EXPRESS WRITTEN AUTHORIZATION OF DELL. IN ADDITION, NEITHER THIS SHEET NOR THE INFORMATION IT CONTAINS MAY BE USED BY OR DISCLOSED TO ANY THIRD PARTY WITHOUT DELL'S EXPRESS WRITTEN CONSENT.

+1.5V_CPU_VDDQ Source



POWER



GRAPHICS

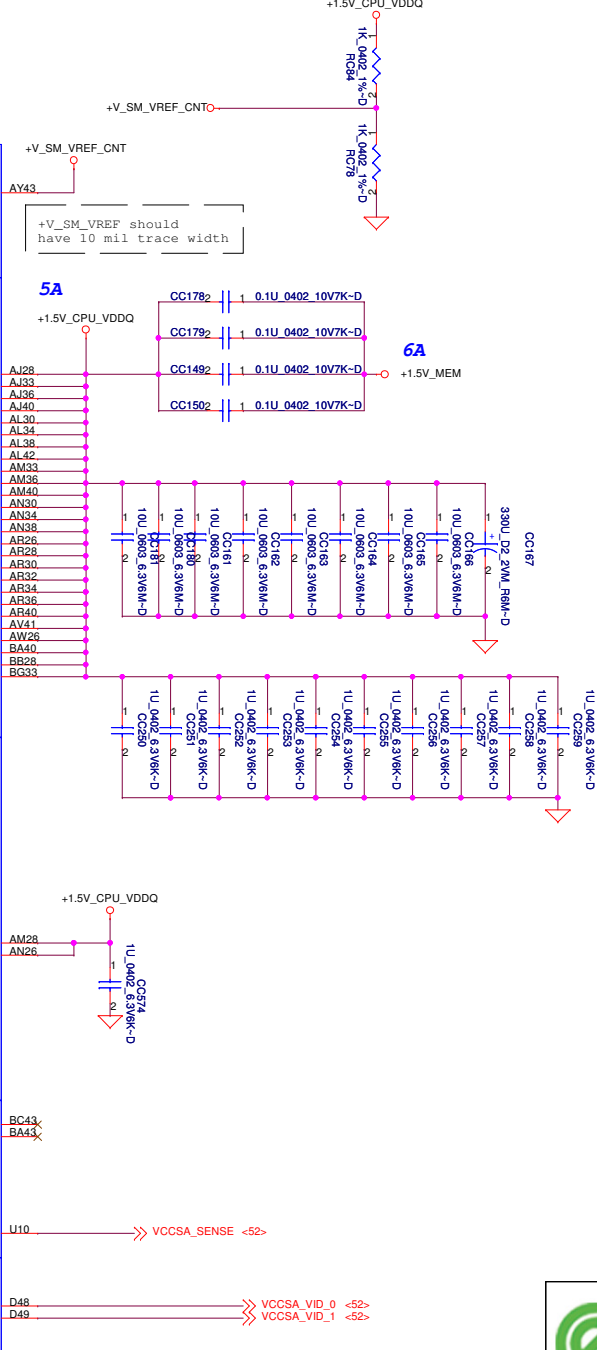
DDR3 - 1.5V RAILS

QUIET RAILS

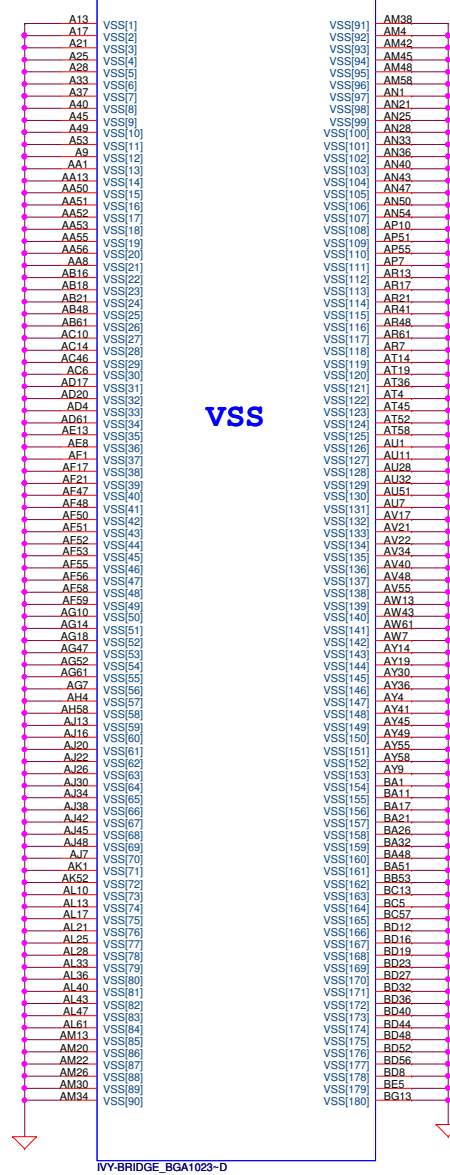
1.8V RAIL

SA RAIL

VCCSA VID Lines



UIH



VSS

DELL CONFIDENTIAL/PROPRIETARY

Compal Electronics, Inc.
Sandy Bridge (6/6)
LA-7731P
 Date: Thursday, September 01, 2011 Sheet 11 of 59

H=4mm
2-3A to 1 DIMMs/channel

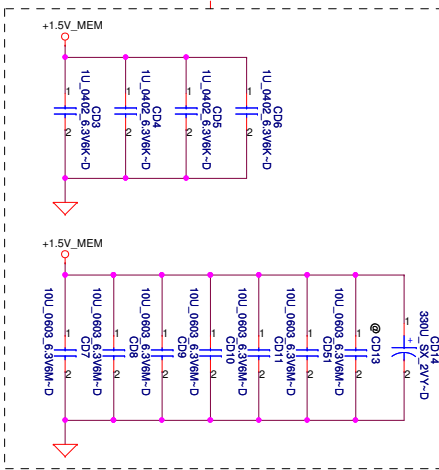
Populate RD1, De-Populate RD7 for Intel DDR3 VREFDQ multiple methods M1
Populate RD7, De-Populate RD1 for Intel DDR3 VREFDQ multiple methods M3

All VREF traces should have 10 mil trace width

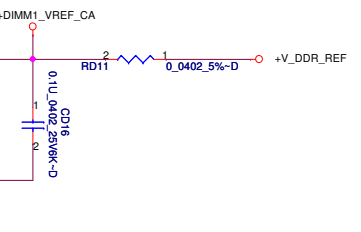
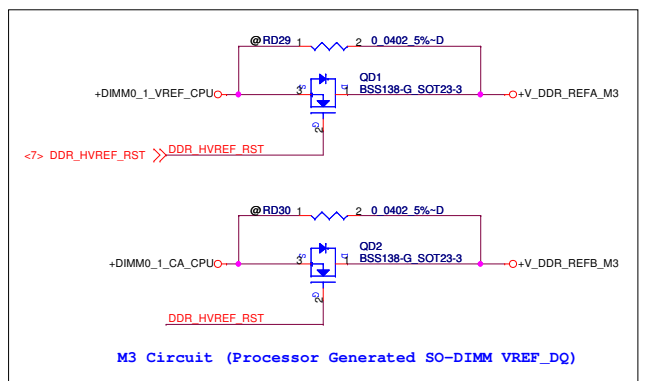
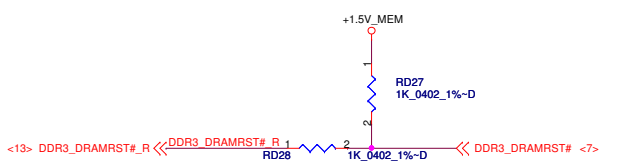
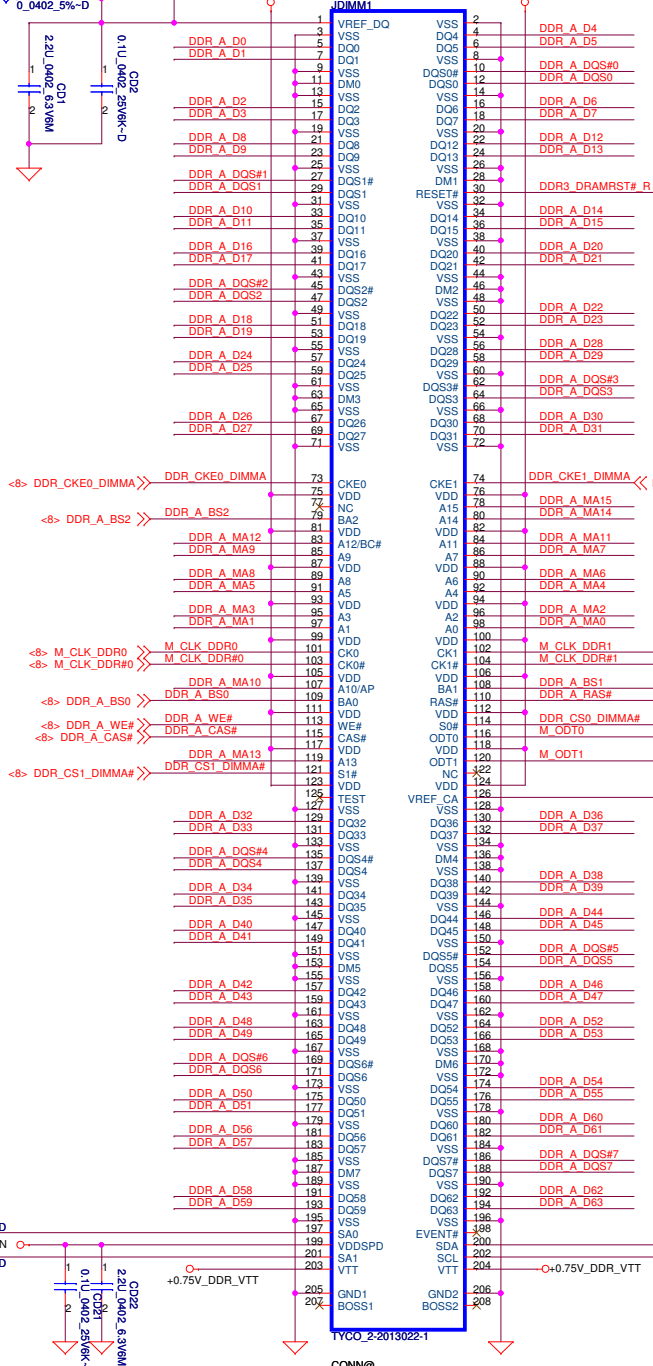
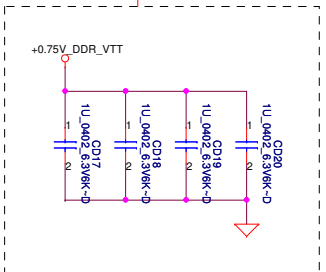
- <8> DDR_A_DOS[0..7] <<>
- <8> DDR_A_D[0..63] <<>
- <8> DDR_A_DOS[0..7] <<>
- <8> DDR_A_MA[0..15] <<>

Layout Note:
Place near JDIMM1

Note:
Check voltage tolerance of VREF_DQ at the DIMM socket



Layout Note:
Place near JDIMM1.203,204



PROPRIETARY NOTE: THIS SHEET OF ENGINEERING DRAWING AND SPECIFICATIONS CONTAINS CONFIDENTIAL TRADE SECRET AND OTHER PROPRIETARY INFORMATION OF DELL INC. ("DELL") THIS DOCUMENT MAY NOT BE TRANSFERRED OR COPIED WITHOUT THE EXPRESS WRITTEN AUTHORIZATION OF DELL. IN ADDITION, NEITHER THIS SHEET NOR THE INFORMATION IT CONTAINS MAY BE USED BY OR DISCLOSED TO ANY THIRD PARTY WITHOUT DELL'S EXPRESS WRITTEN CONSENT.

DELL CONFIDENTIAL/PROPRIETARY

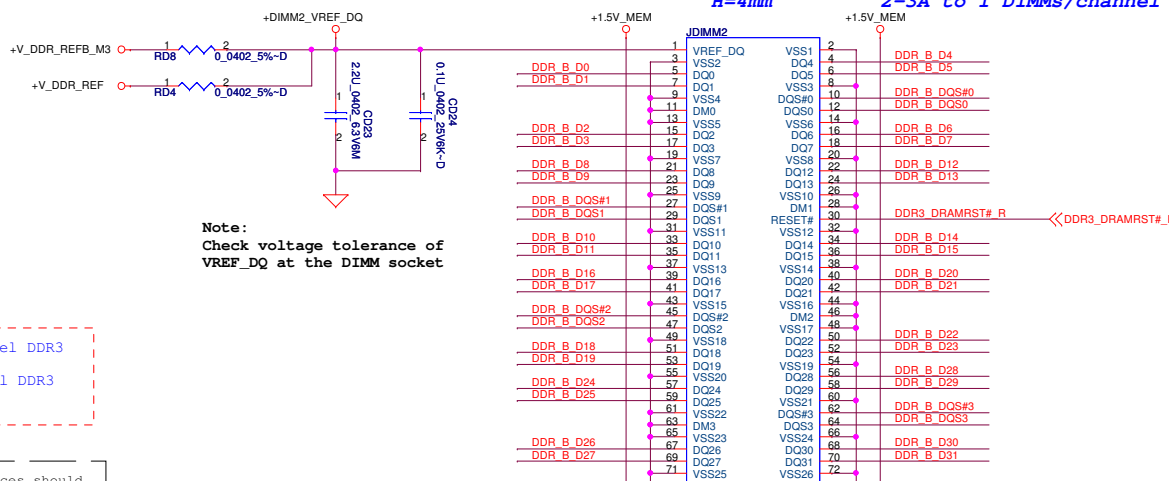
Compal Electronics, Inc.

DDRIII-SODIMM SLOT1

LA-7731P

Rev 0.3

Date: Thursday, September 01, 2011 Sheet 12 of 59

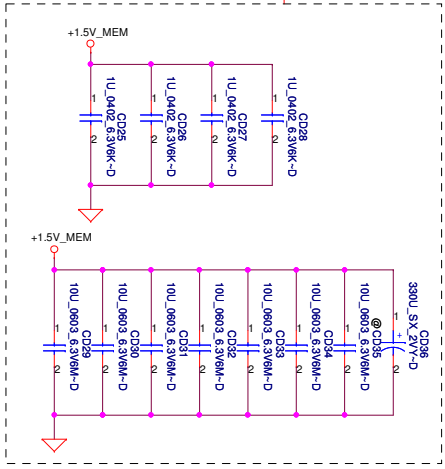


Populate RD4, De-Populate RD8 for Intel DDR3 VREFDQ multiple methods M1
 Populate RD8, De-Populate RD4 for Intel DDR3 VREFDQ multiple methods M3

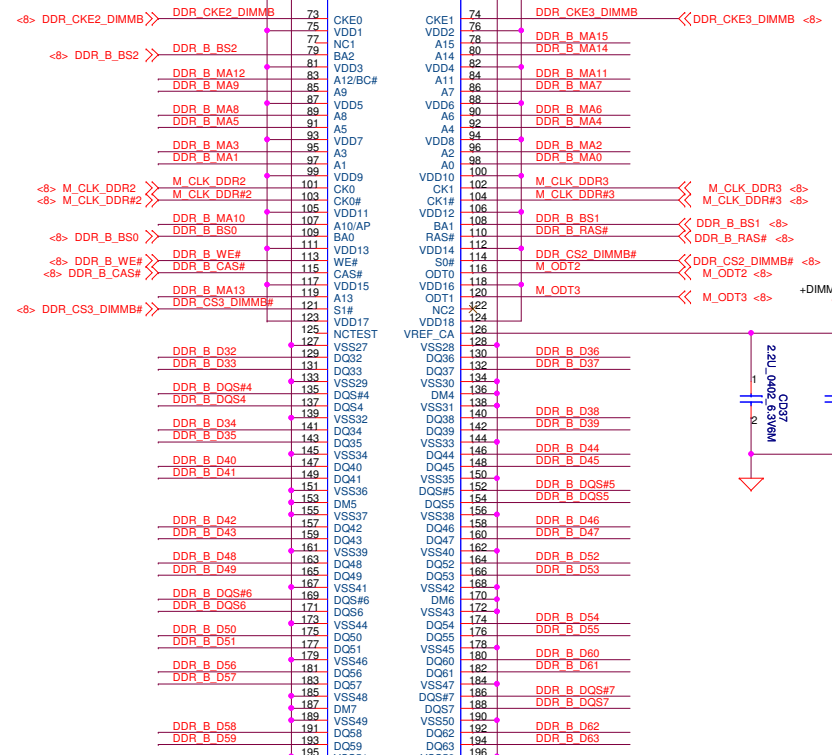
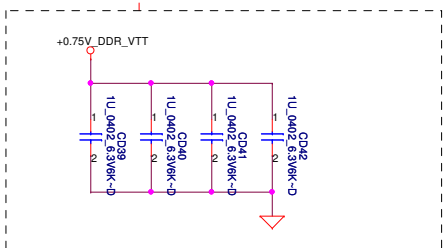
- <<-> DDR_B_DQS#[0..7] <<>>
- <<-> DDR_B_DQ[0..63] <<>>
- <<-> DDR_B_DQS#[0..7] <<>>
- <<-> DDR_B_MA[0..15] <<>>

All VREF traces should have 10 mil trace width

Layout Note:
Place near JDIMM2



Layout Note:
Place near JDIMM2.203, 204



PROPRIETARY NOTE: THIS SHEET OF ENGINEERING DRAWING AND SPECIFICATIONS CONTAINS CONFIDENTIAL TRADE SECRET AND OTHER PROPRIETARY INFORMATION OF DELL INC. ("DELL"). THIS DOCUMENT MAY NOT BE TRANSMITTED OR COPIED WITHOUT THE EXPRESS WRITTEN AUTHORIZATION OF DELL. IN ADDITION, NEITHER THIS SHEET NOR THE INFORMATION IT CONTAINS MAY BE USED BY OR DISCLOSED TO ANY THIRD PARTY WITHOUT DELL'S EXPRESS WRITTEN CONSENT.

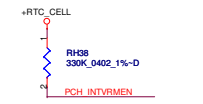


DELL CONFIDENTIAL/PROPRIETARY

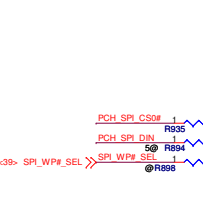
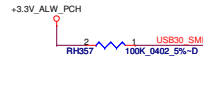
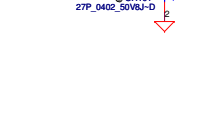
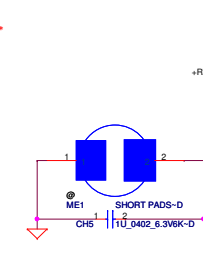
Compal Electronics, Inc.			
Title DDRIII-SODIMM SLOT2			
Size	Document Number LA-7731P	Rev 0.3	
Date	Thursday, September 01, 2011	Sheet	13 of 59

CMOS CLR1	CMOS setting
Shunt	Clear CMOS
Open	Keep CMOS

ME CLR1	TPM setting
Shunt	Clear ME RTC Registers
Open	Keep ME RTC Registers

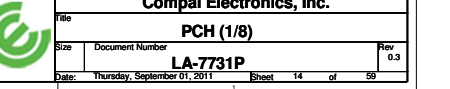
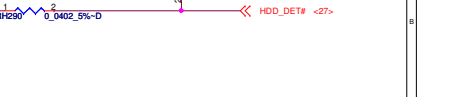
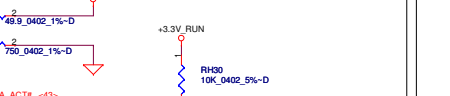
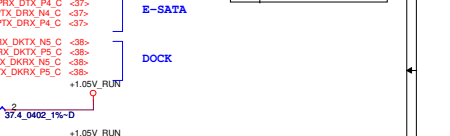
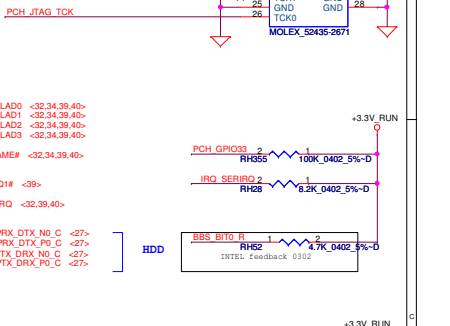
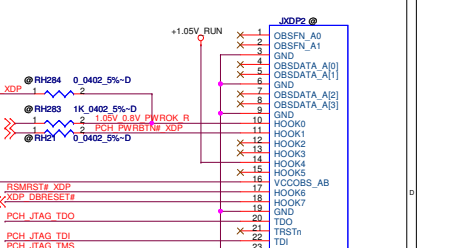
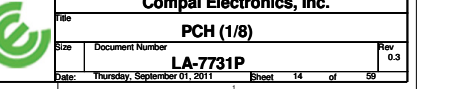
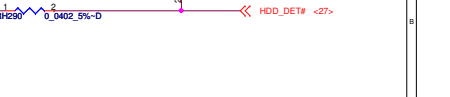
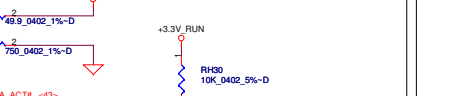
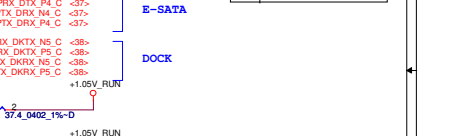
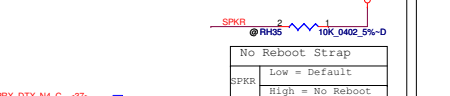
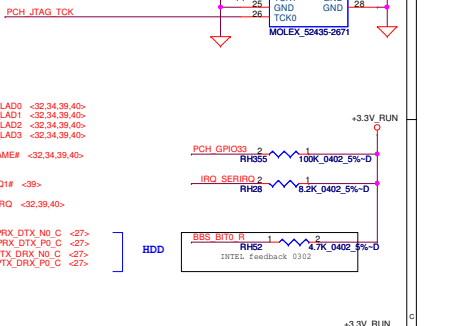
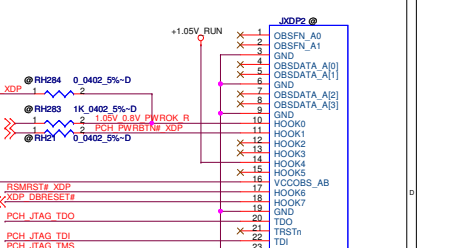
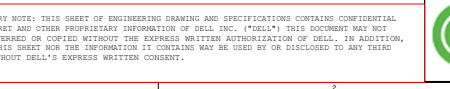
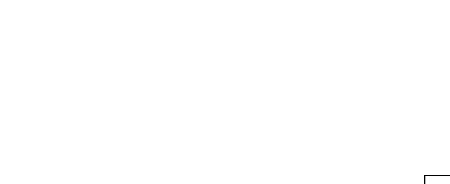
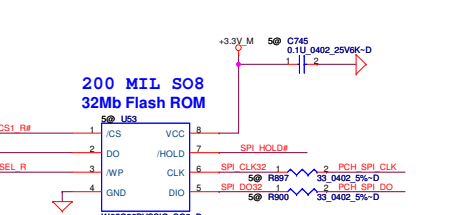
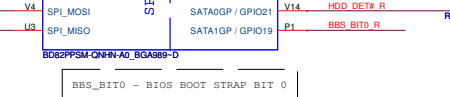
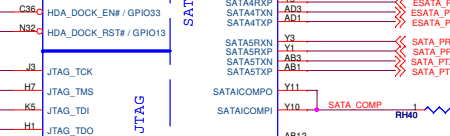
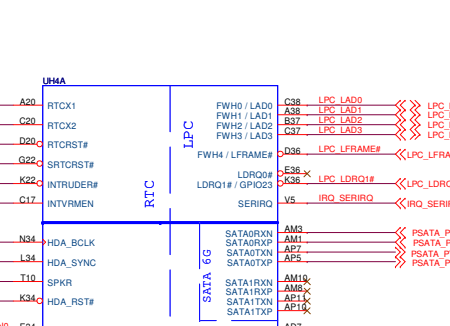
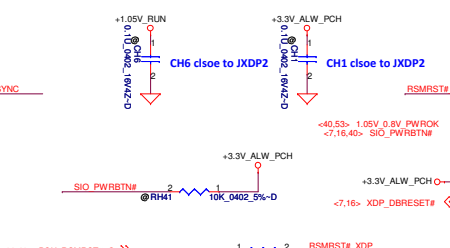
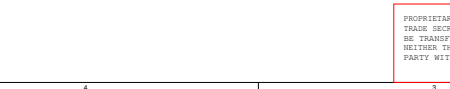
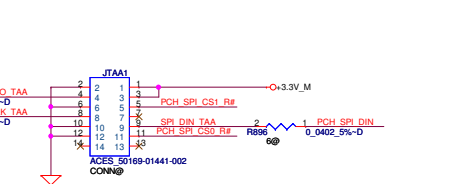
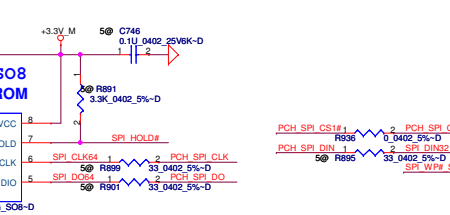
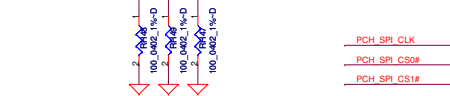
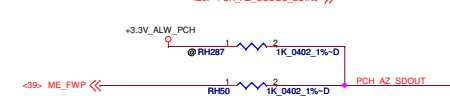
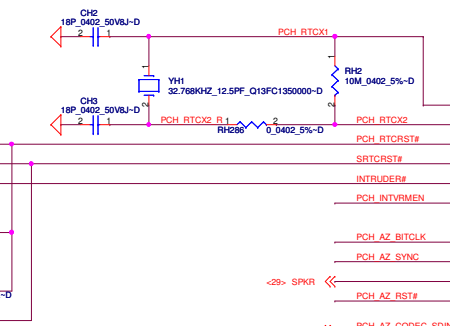
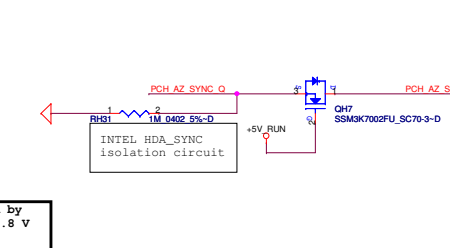
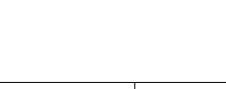
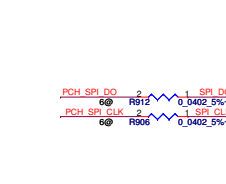
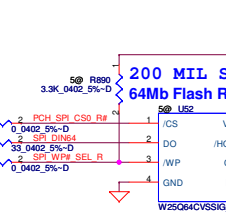
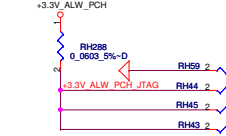
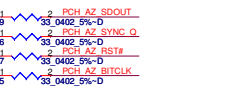
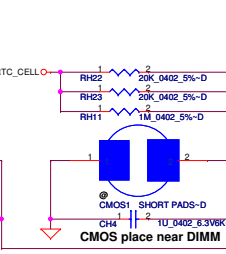


INTVRMEN - Integrated SUS
1.1V VRM Enable
High - Enable Internal VRs
Low - Enable External VRs



Pch_Az_Sync is sampled at the rising edge of RSMRST# pin. So signal should be P1 to the ADAMS rail.

On Die PLL VR is supplied by 1.5V when sampled high, 1.8 v when sampled low



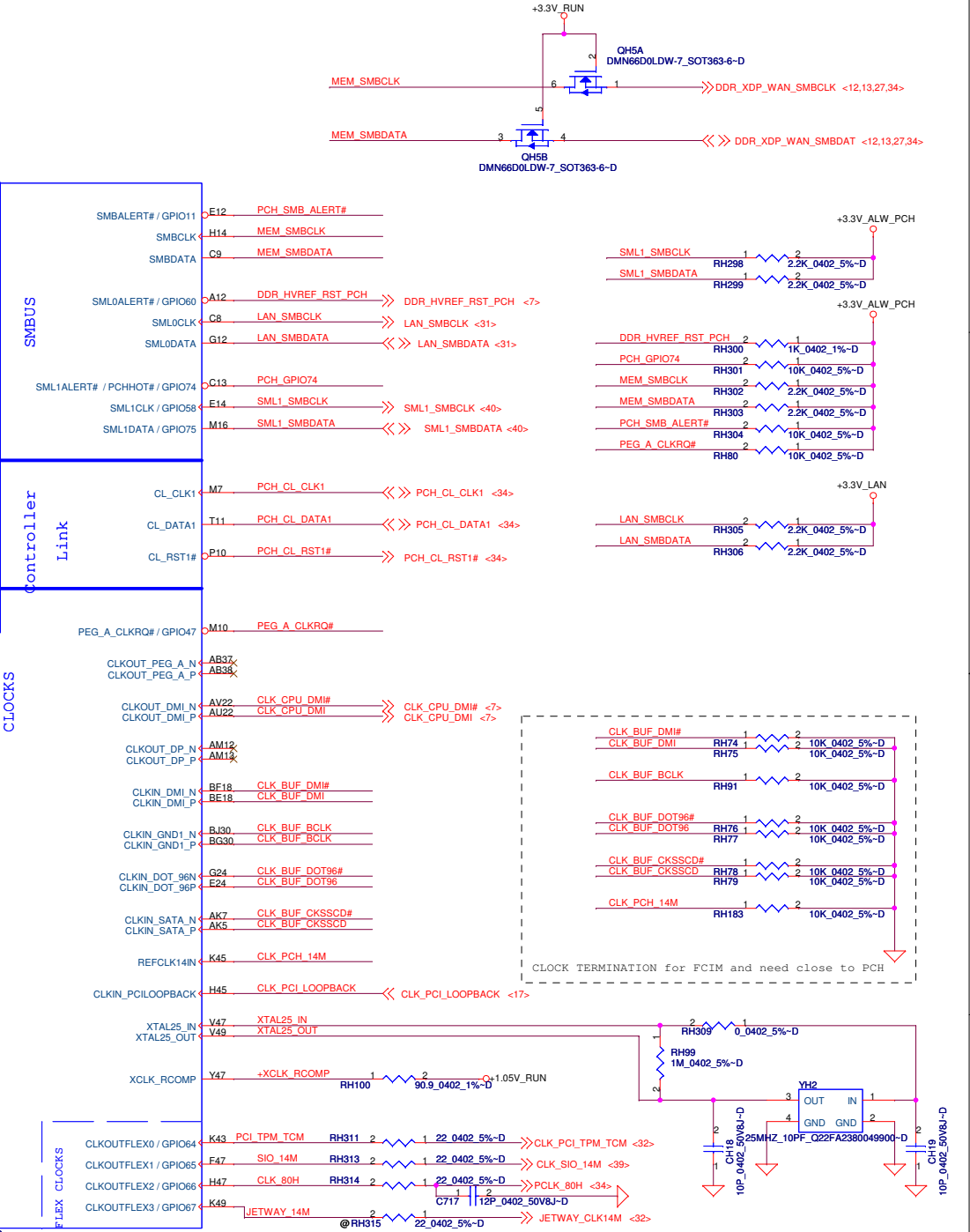
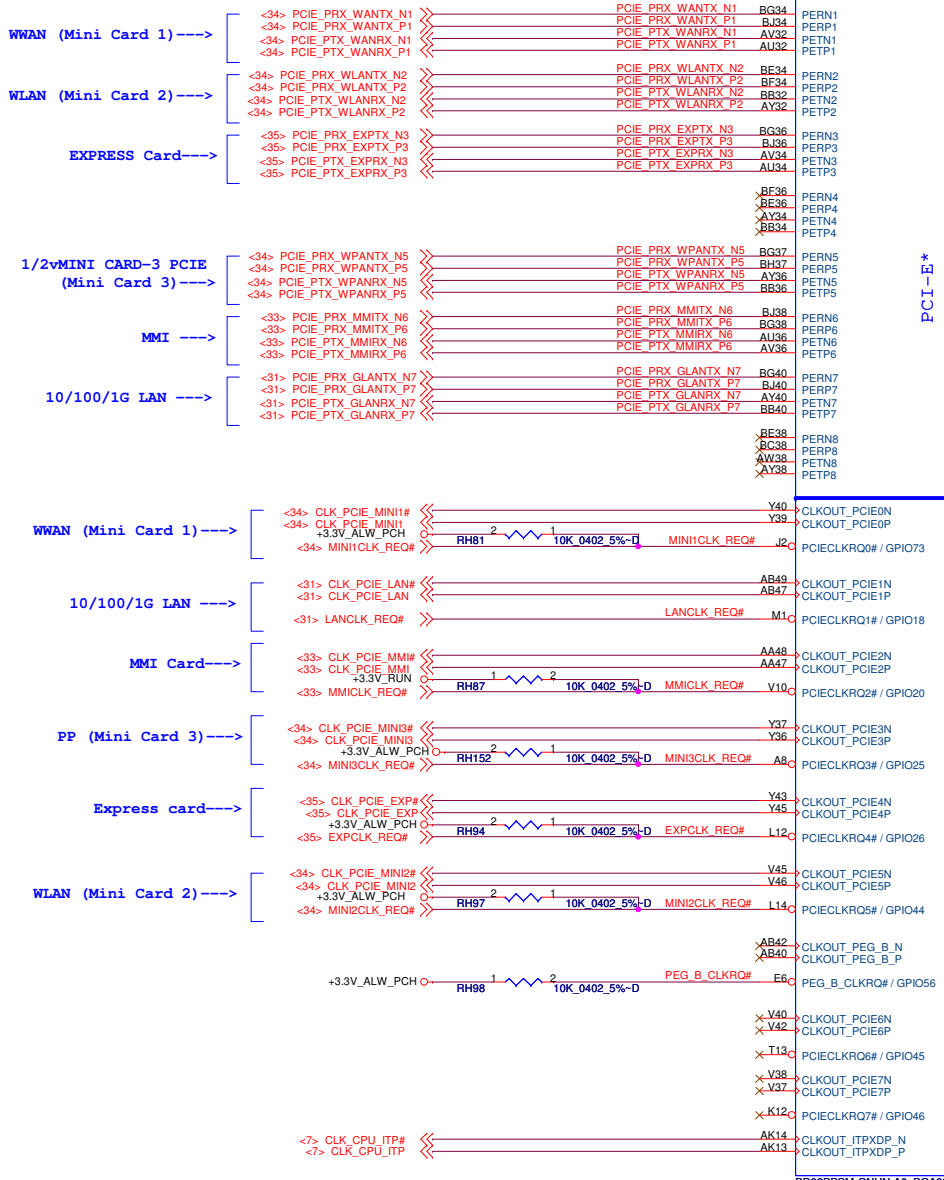
PROPRIETARY NOTE: THIS SHEET OF ENGINEERING DRAWING AND SPECIFICATIONS CONTAINS CONFIDENTIAL TRADE SECRET AND OTHER PROPRIETARY INFORMATION OF DELL INC. ("DELL"). THIS DOCUMENT MAY NOT BE TRANSMITTED OR COPIED WITHOUT THE EXPRESS WRITTEN AUTHORIZATION OF DELL. IN ADDITION, NEITHER THIS SHEET NOR THE INFORMATION IT CONTAINS MAY BE USED BY OR DISCLOSED TO ANY THIRD PARTY WITHOUT DELL'S EXPRESS WRITTEN CONSENT.



DELL CONFIDENTIAL/PROPRIETARY

Compal Electronics, Inc.		
PCH (1/8)		
File	Document Number	Rev
	LA-7731P	0.3
Date:	Thursday, September 01, 2011	Sheet 14 of 59

Follow DG0.9 Device
down & Express/Mini
card topology



DELL CONFIDENTIAL/PROPRIETARY

Compal Electronics, Inc.

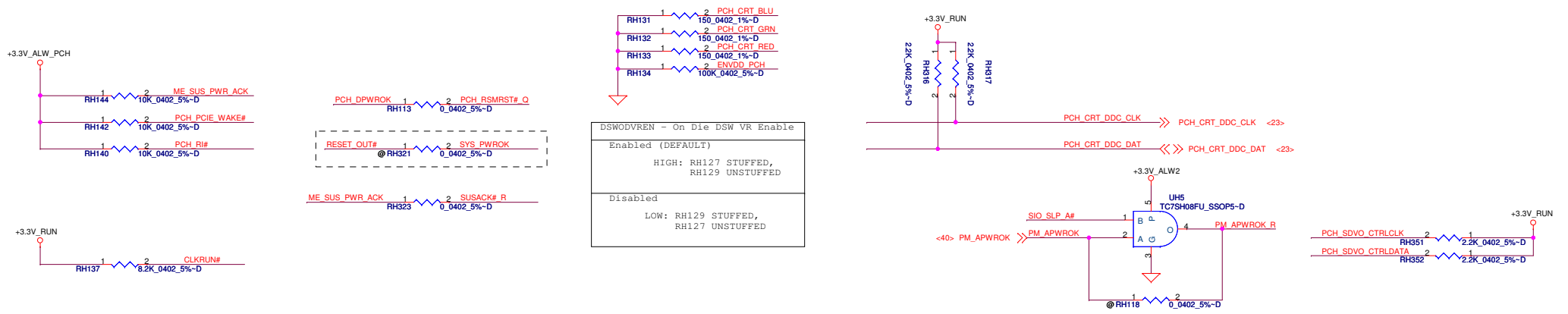
PCH (2/8)

LA-7731P

Size: Document Number
Date: Thursday, September 01, 2011
Sheet: 15 of 59

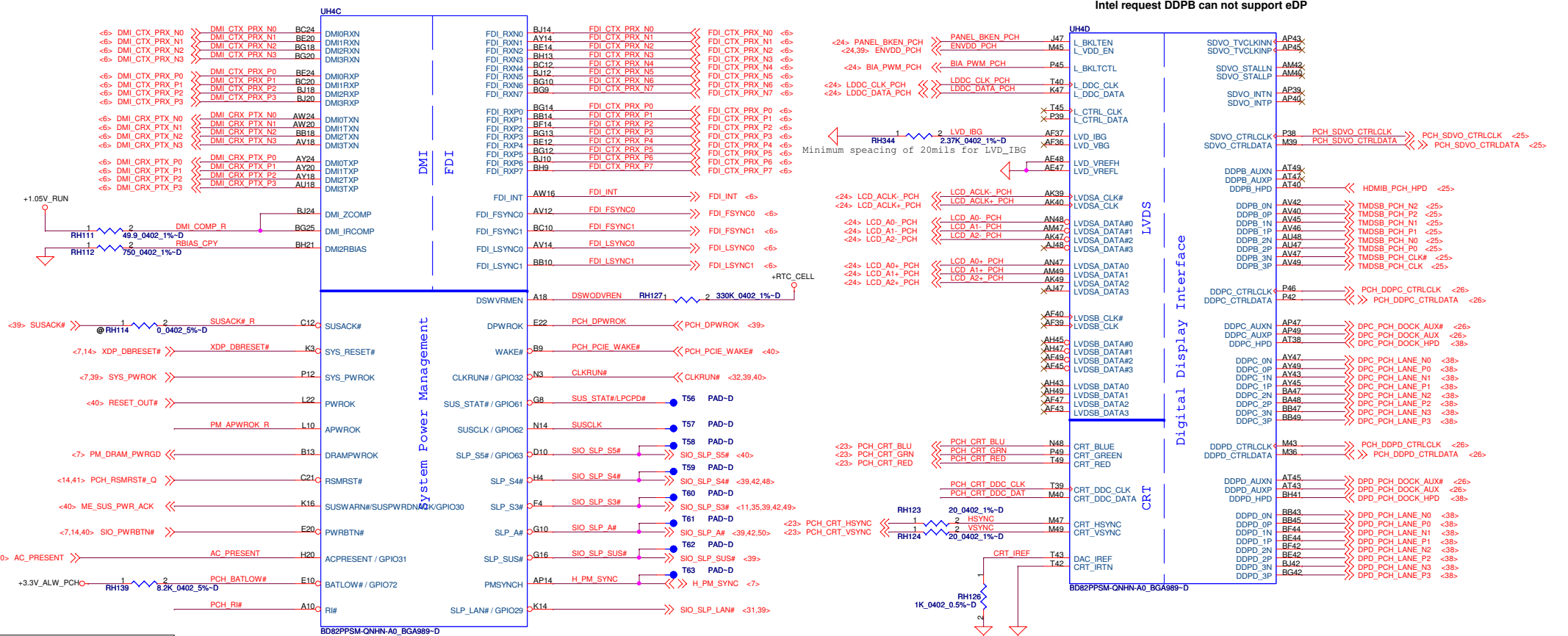
Rev: 0.3

PROPRIETARY NOTE: THIS SHEET OF ENGINEERING DRAWING AND SPECIFICATIONS CONTAINS CONFIDENTIAL TRADE SECRET AND OTHER PROPRIETARY INFORMATION OF DELL INC. ("DELL"). THIS DOCUMENT MAY NOT BE TRANSFERRED OR COPIED WITHOUT THE EXPRESS WRITTEN AUTHORIZATION OF DELL. IN ADDITION, NEITHER THIS SHEET NOR THE INFORMATION IT CONTAINS MAY BE USED BY OR DISCLOSED TO ANY THIRD PARTY WITHOUT DELL'S EXPRESS WRITTEN CONSENT.



DSWODVREN - On Die DSW VR Enable
Enabled (DEFAULT)
HIGH: RH127 STUFFED, RH129 UNSTUFFED
Disabled
LOW: RH129 STUFFED, RH127 UNSTUFFED

Intel request DDPB can not support eDP



Remove RH116, RH117, RH118, RH320, RH120, RH121, RH122 to save room for D4 12" only

PROPRIETARY NOTE: THIS SHEET OF ENGINEERING DRAWING AND SPECIFICATIONS CONTAINS CONFIDENTIAL TRADE SECRET AND OTHER PROPRIETARY INFORMATION OF DELL INC. ("DELL"). THIS DOCUMENT MAY NOT BE TRANSMITTED OR COPIED WITHOUT THE EXPRESS WRITTEN AUTHORIZATION OF DELL. IN ADDITION, NEITHER THIS SHEET NOR THE INFORMATION IT CONTAINS MAY BE USED OR DISCLOSED TO ANY THIRD PARTY WITHOUT DELL'S EXPRESS WRITTEN CONSENT.

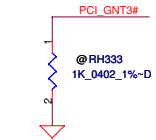
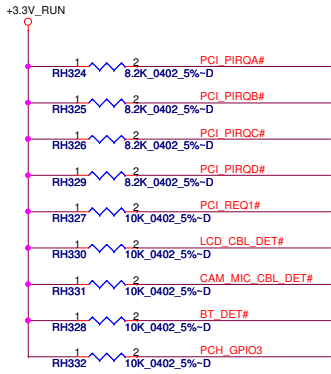
DELL CONFIDENTIAL/PROPRIETARY
Compal Electronics, Inc.

Title: **PCH (3/8)**

Size: Document Number **LA-7731P**

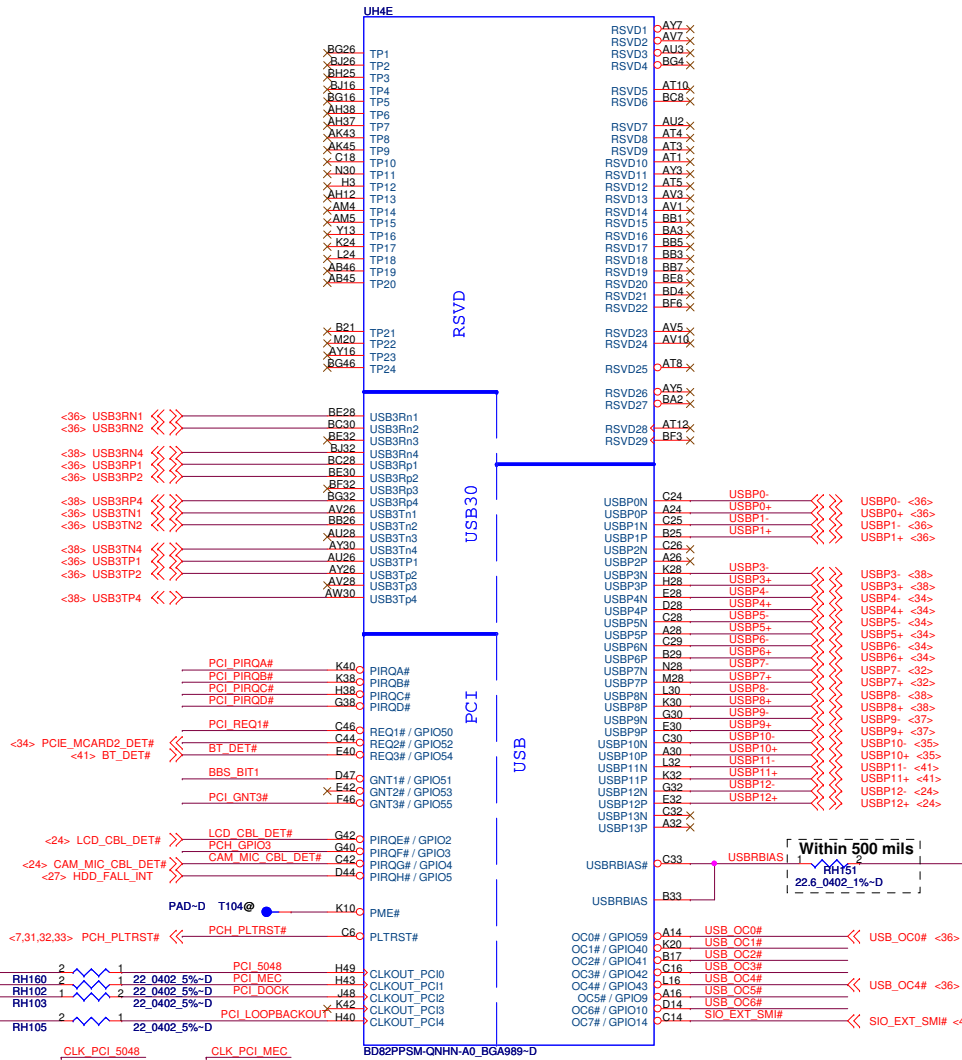
Date: Thursday, September 01, 2011 Sheet 16 of 59

Rev 0.3

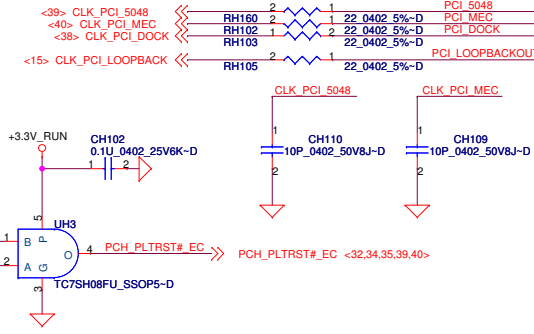
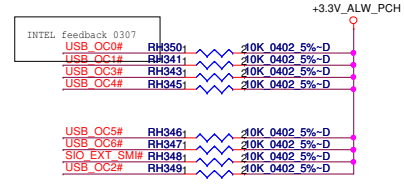


A16 swap override Strap/Top-Block Swap Override jumper	
PCI_GNT#3	Low = A16 swap High = Default

Remove RH335, RH336, RH337, RH338 to save room for D12" only



- >Right Side Top
- >Right Side Bottom
- >MLK DOCK
- >WLAN/WIMAX
- >WWAN/UWB
- >Flash
- >USH
- >DOCK
- >Left side E-SATA
- >Express Card
- >Blue Tooth
- >Camera



Boot BIOS Strap		
BBS_BIT1	SATA_SLPD (BBS_BIT0)	Boot BIOS Location
0	0	LPC
0	1	Reserved (NAND)
1	0	PCI
1	1	SPI

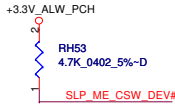
DELL CONFIDENTIAL/PROPRIETARY

Compal Electronics, Inc.

PCH (4/8)

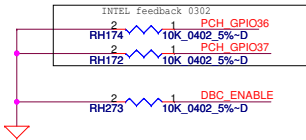
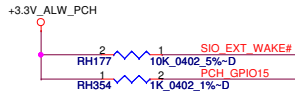
LA-7731P

Date: Thursday, September 01, 2011 Sheet 17 of 59

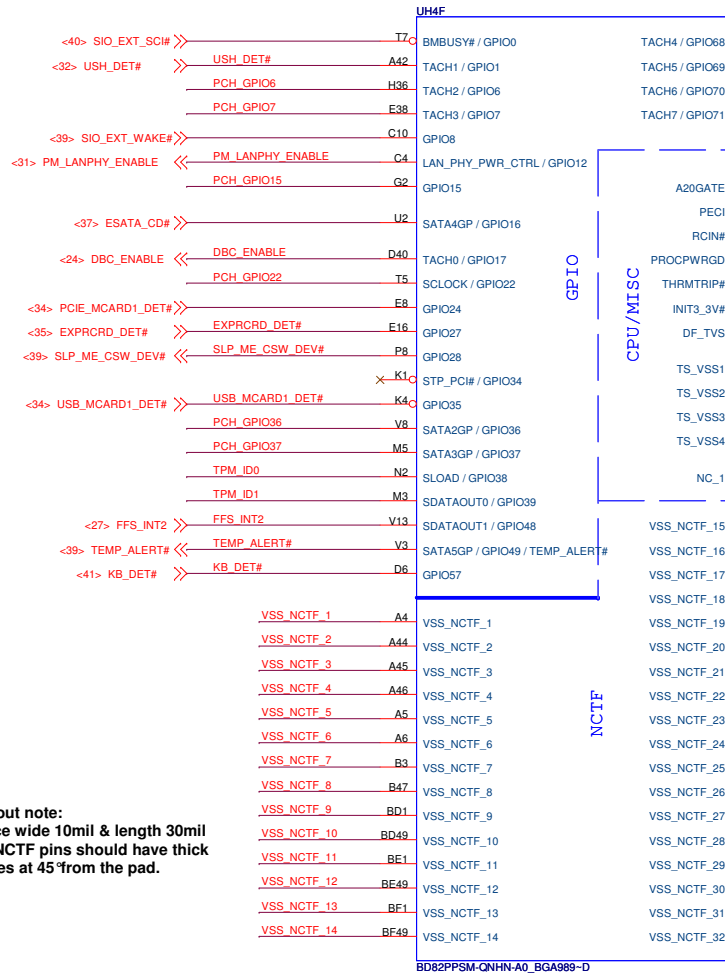
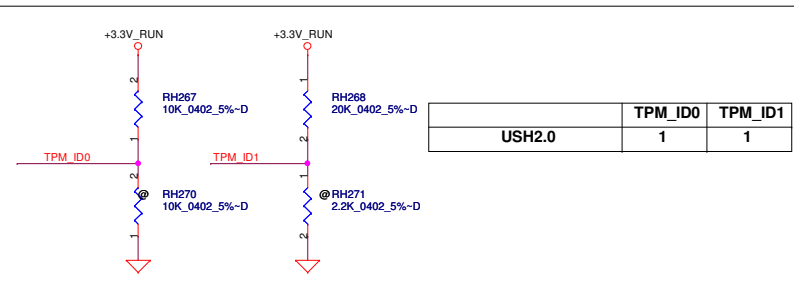
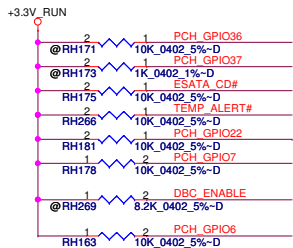
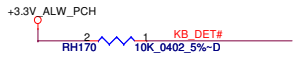


Note: PCH has internal pull up 20k ohm on E3_PAID_TS_DET# (GPIO27)

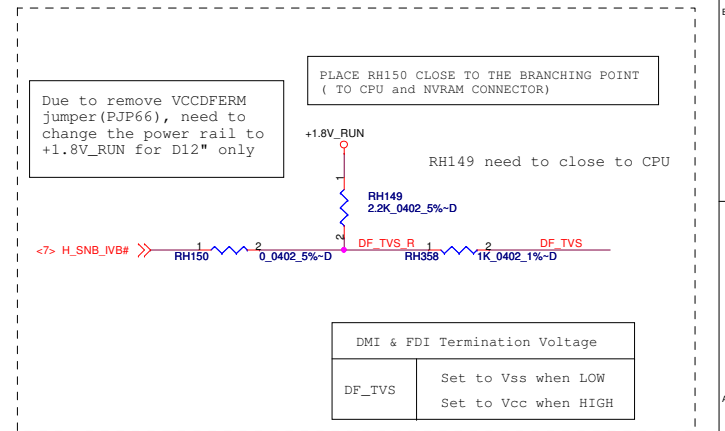
SLP_ME_CSW_DEV#	PLL ON DIE VR ENABLE
ENABLED - HIGH DEFAULT	
DISABLED - LOW	



Layout note:
Trace wide 10mil & length 30mil
All NCTF pins should have thick traces at 45° from the pad.



Layout note:
Trace wide 10mil & length 30mil
All NCTF pins should have thick traces at 45° from the pad.



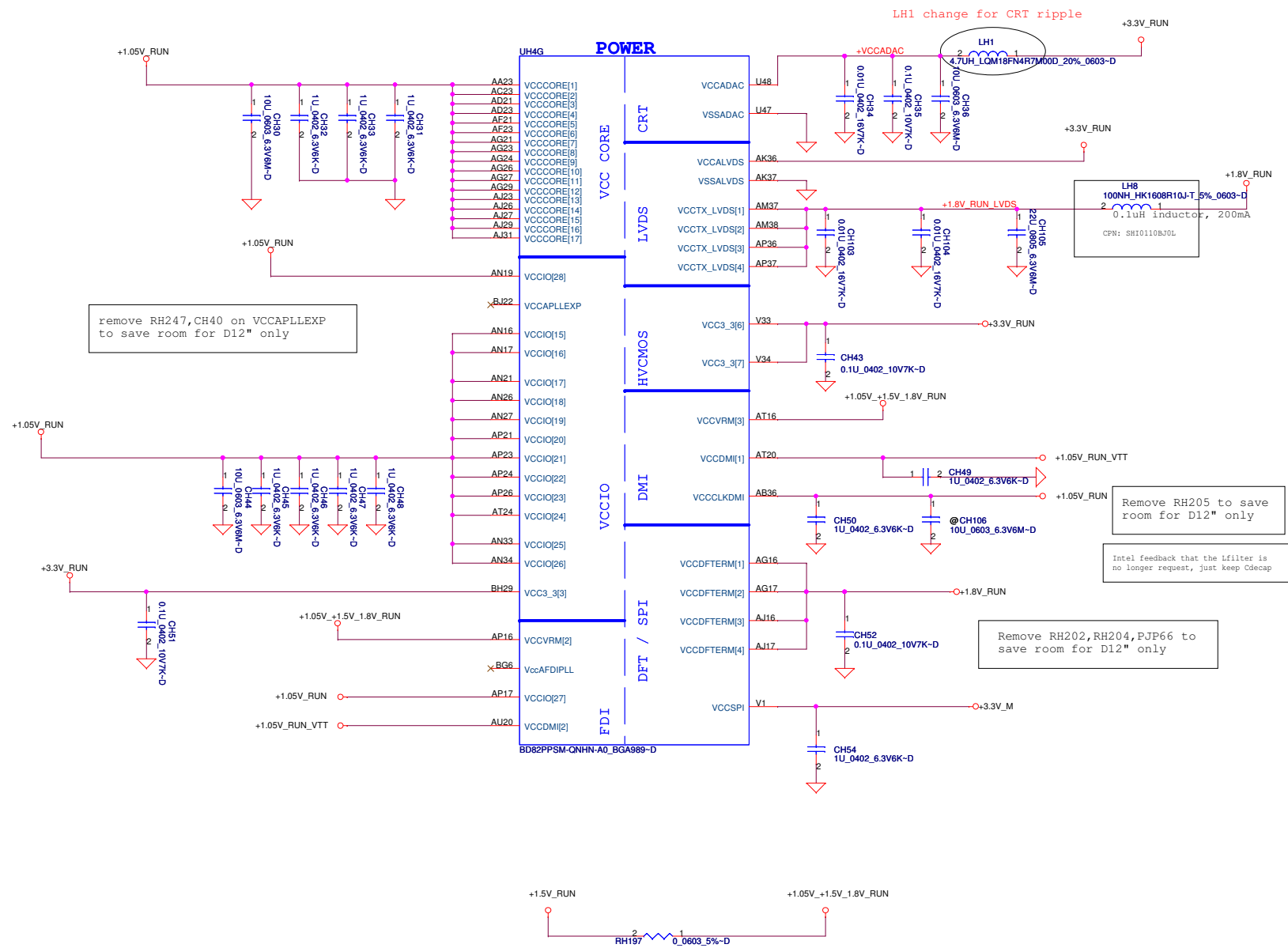
DELL CONFIDENTIAL/PROPRIETARY

Compal Electronics, Inc.

PCH (5/8)

LA-7731P

Title	PCH (5/8)		Rev	0.3
Size	Document Number	LA-7731P		
Date	Thursday, September 01, 2011	Sheet	18	of 59



PCH Power Rail Table		
Voltage Rail	Voltage	SO Iccmax Current (A)
V_PROC_IO	1.05	0.001
V5REF	5	0.001
V5REF_Sus	5	0.001
Vcc3_3	3.3	0.266
VccADAC3	3.3	0.001
VccADPLLA	1.05	0.08
VccADPLLB	1.05	0.08
VccCore	1.05	1.3
VccDMI	1.05	0.042
VccIO	1.05	2.925
VccASW	1.05	1.01
VccSPI	3.3	0.020
VccDSW3_3	3.3	0.003
VCCDFTERM	1.8	0.19
VccRTC	3.3	2 (mA)
VccSus3_3	3.3	0.119
VccSusHDA	3.3	0.01
VccVRM	1.8 / 1.5	0.16
VccClkDMI	1.05	0.02
VccSSC	1.05	0.095
VccDIFFCLKN	1.05	0.055
VccALVDS	3.3	0.001
VccTX_LVDS	1.8	0.06
VccAPLLEXP	1.05	0.05

DELL CONFIDENTIAL/PROPRIETARY

Compal Electronics, Inc.

Title			PCH (6/8)		
Size	Document Number	Rev			
	LA-7731P	0.3			
Date:	Thursday, September 01, 2011	Sheet	19	of	59

PROPRIETARY NOTE: THIS SHEET OF ENGINEERING DRAWING AND SPECIFICATIONS CONTAINS CONFIDENTIAL TRADE SECRET AND OTHER PROPRIETARY INFORMATION OF DELL INC. ("DELL"). THIS DOCUMENT MAY NOT BE TRANSFERRED OR COPIED WITHOUT THE EXPRESS WRITTEN AUTHORIZATION OF DELL. IN ADDITION, NEITHER THIS SHEET NOR THE INFORMATION IT CONTAINS MAY BE USED BY OR DISCLOSED TO ANY THIRD PARTY WITHOUT DELL'S EXPRESS WRITTEN CONSENT.

Remove RH253 to save room for D12" only

Remove LH3,CH58 on VCCAPLLDMI2 to save room for D12" only

remove LH5,CH80 on VCCAPLLSATAta to save room for D12" only

POWER

USB

Clock and Miscellaneous

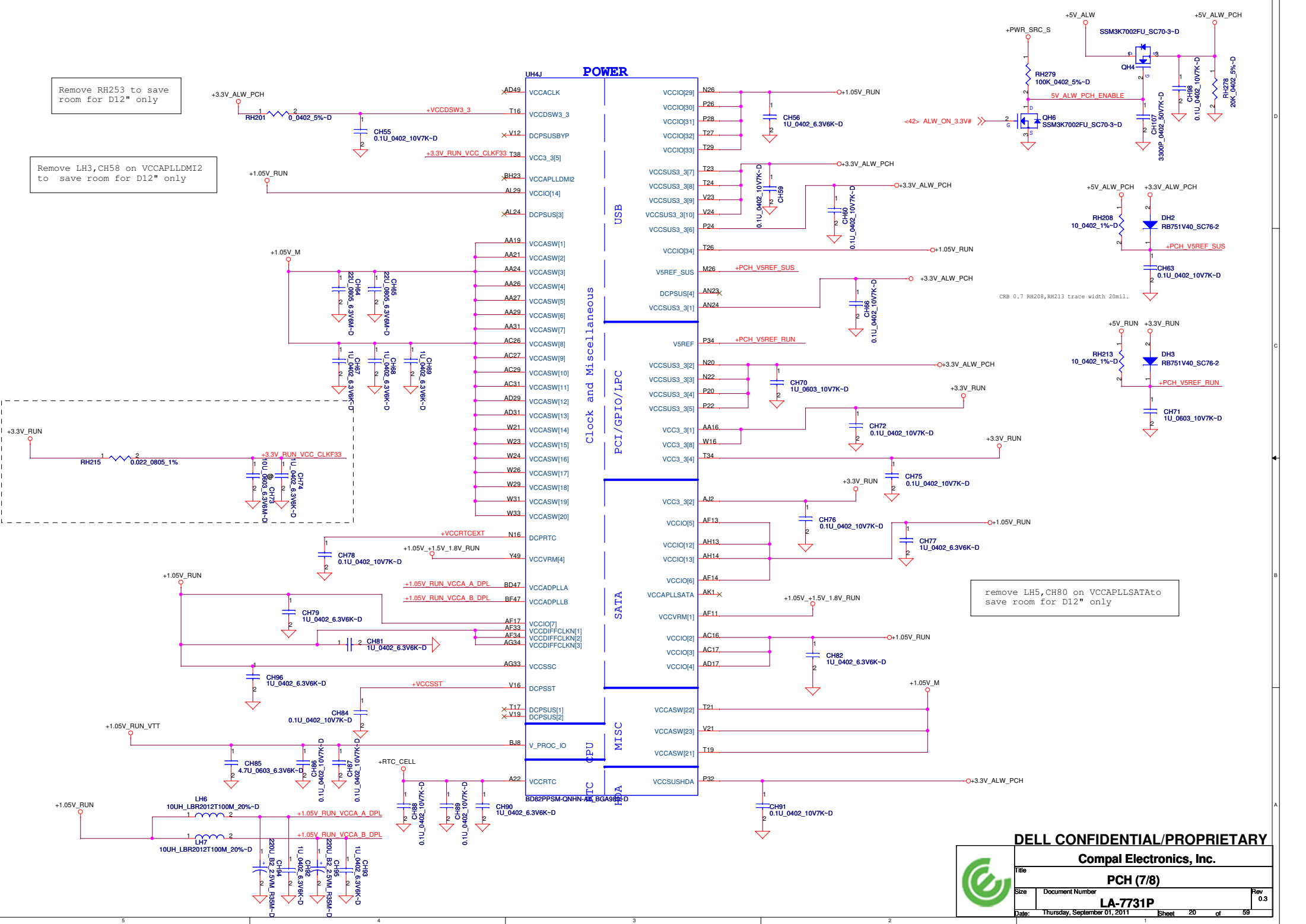
PCI/GPIO/LPC

SATA

MISC

ICP

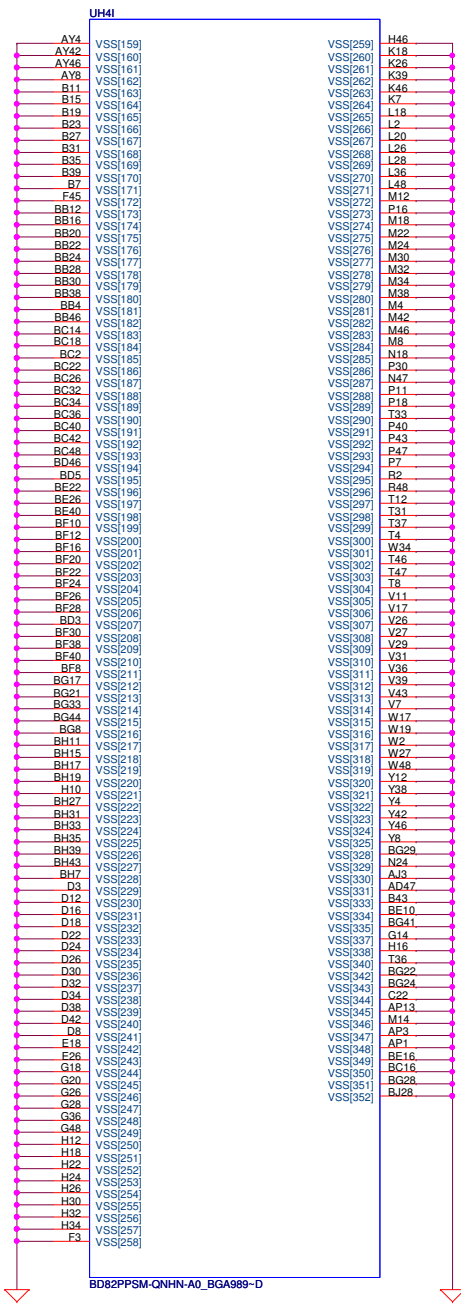
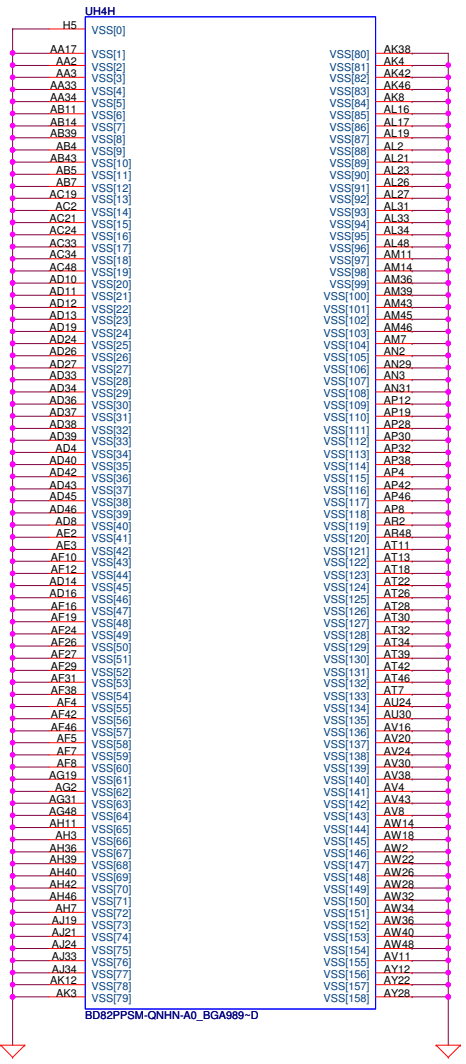
HA



DELL CONFIDENTIAL/PROPRIETARY



Compal Electronics, Inc.			
PCH (7/8)			
Size	Document Number	Rev	
	LA-7731P	0.3	
Date:	Thursday, September 01, 2011	Sheet	20 of 59



PROPRIETARY NOTE: THIS SHEET OF ENGINEERING DRAWING AND SPECIFICATIONS CONTAINS CONFIDENTIAL TRADE SECRET AND OTHER PROPRIETARY INFORMATION OF DELL INC. ("DELL"). THIS DOCUMENT MAY NOT BE TRANSFERRED OR COPIED WITHOUT THE EXPRESS WRITTEN AUTHORIZATION OF DELL. IN ADDITION, NEITHER THIS SHEET NOR THE INFORMATION IT CONTAINS MAY BE USED BY OR DISCLOSED TO ANY THIRD PARTY WITHOUT DELL'S EXPRESS WRITTEN CONSENT.

DELL CONFIDENTIAL/PROPRIETARY

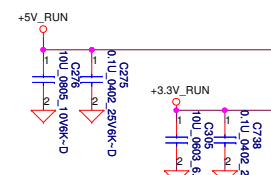
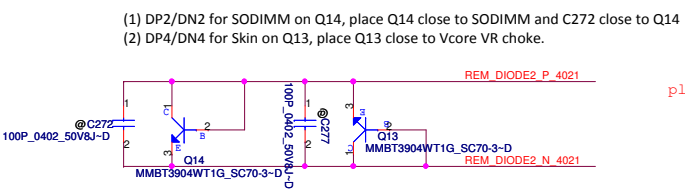
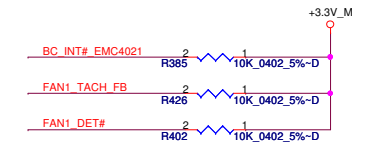
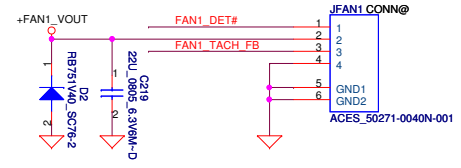
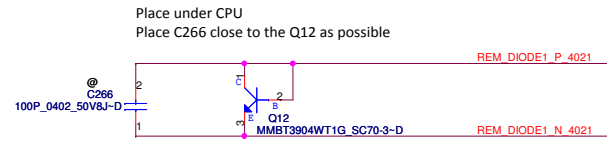
Compal Electronics, Inc.

Title: **PCH (8/8)**

Size: **LA-7731P**

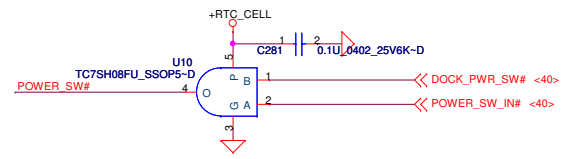
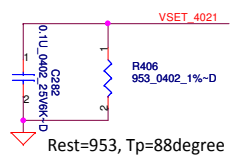
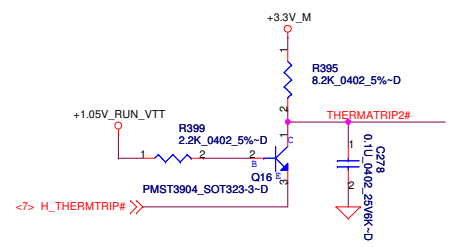
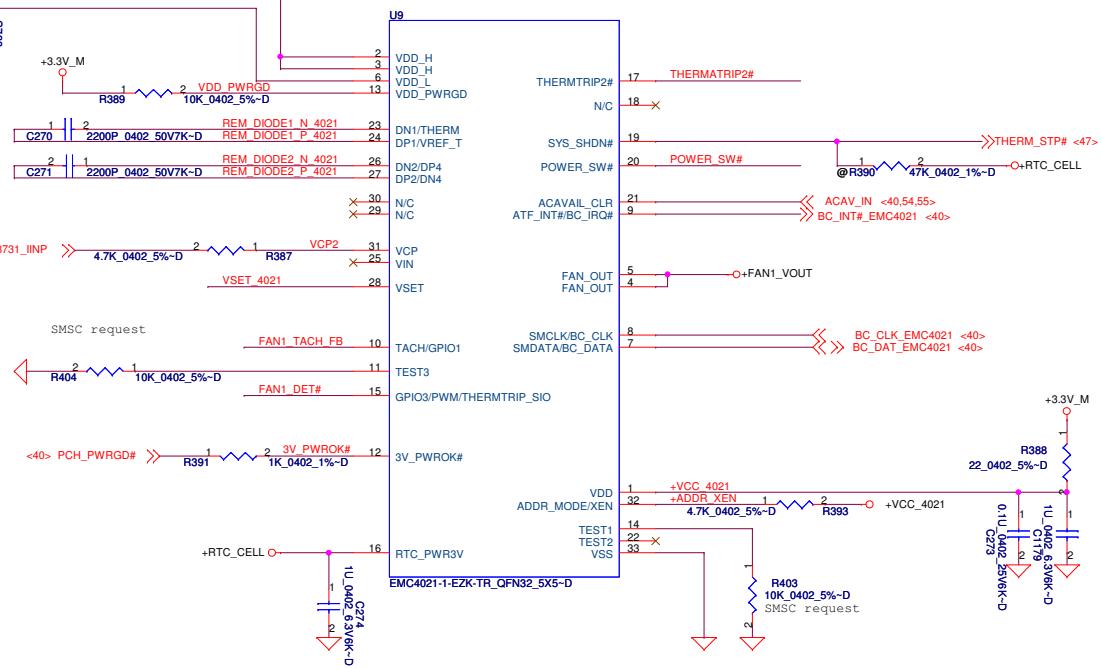
Date: **Thursday, September 01, 2011** Sheet **21** of **59**

Rev: **0.3**



Change to EMC4021 for cost saving

place C270/C271 close to U9

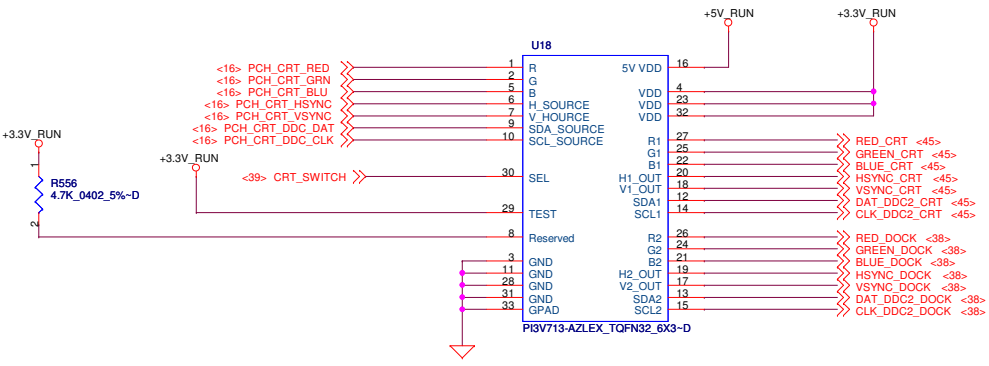


DELL CONFIDENTIAL/PROPRIETARY

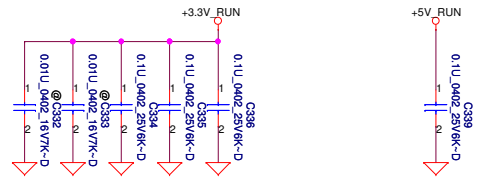
Compal Electronics, Inc.			
FAN & Thermal Sensor			
LA-7731P			
Date:	Thursday, September 01, 2011	Sheet	22 of 59

PROPRIETARY NOTE: THIS SHEET OF ENGINEERING DRAWING AND SPECIFICATIONS CONTAINS CONFIDENTIAL TRADE SECRET AND OTHER PROPRIETARY INFORMATION OF DELL INC. ("DELL"). THIS DOCUMENT MAY NOT BE TRANSFERRED OR COPIED WITHOUT THE EXPRESS WRITTEN AUTHORIZATION OF DELL. IN ADDITION, NEITHER THIS SHEET NOR THE INFORMATION IT CONTAINS MAY BE USED BY OR DISCLOSED TO ANY THIRD PARTY WITHOUT DELL'S EXPRESS WRITTEN CONSENT.

SW for MB/DOCK

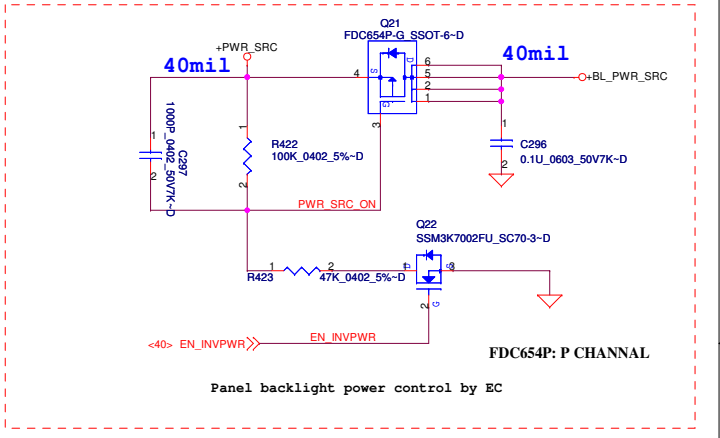
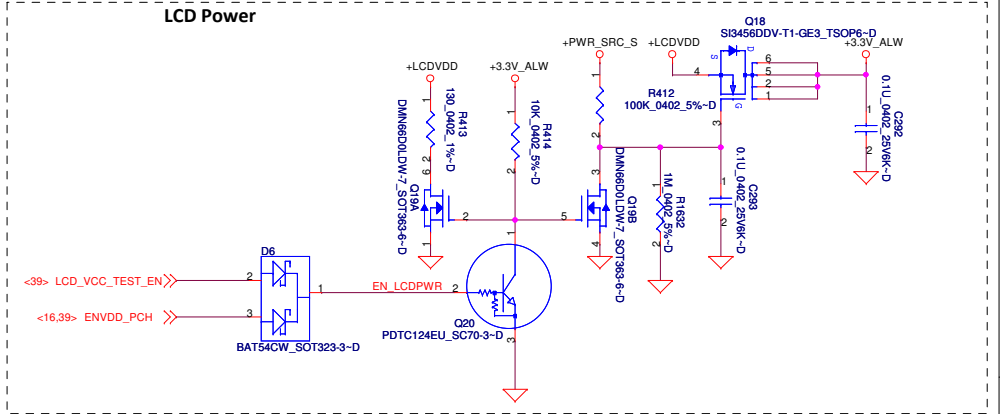
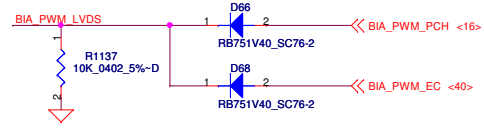
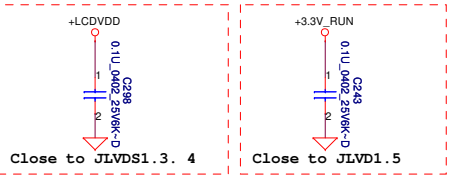
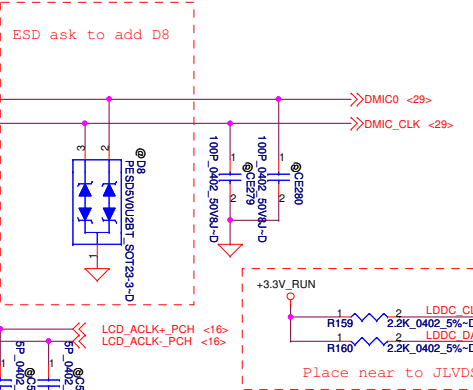
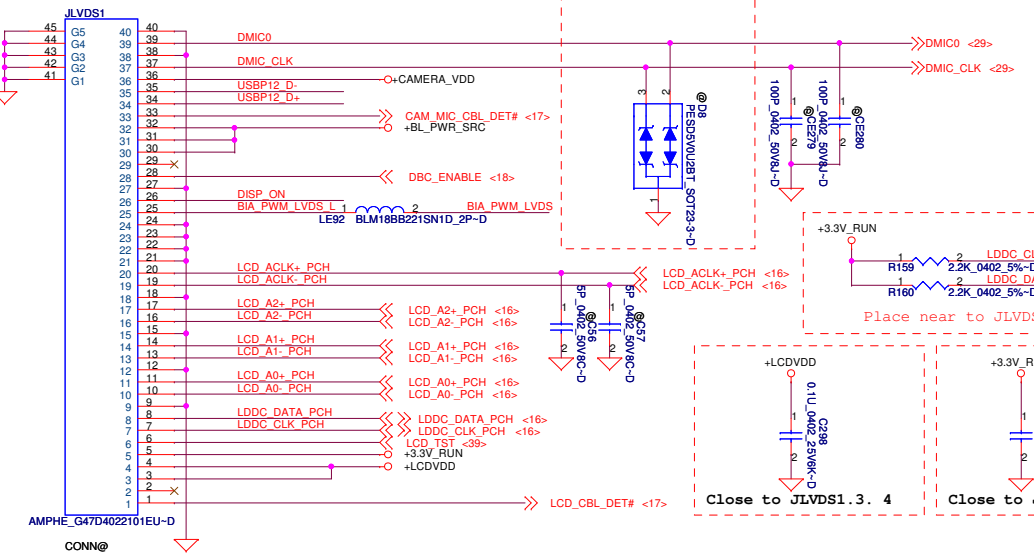


SEL1/SEL2	Chanel	Source
0	A=B1	MB
1	A=B2	APR/SPR

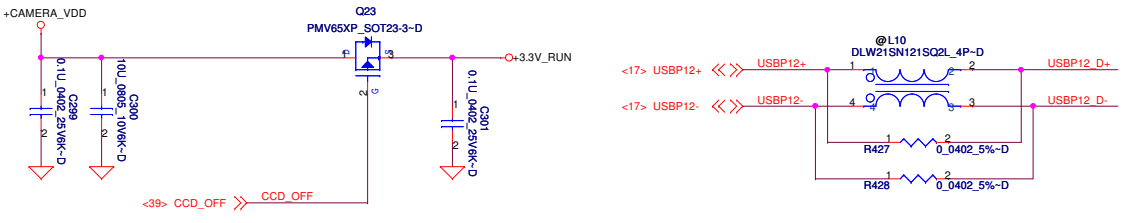


DELL CONFIDENTIAL/PROPRIETARY

	Compal Electronics, Inc.		
	CRT/Video switch		
	Size	Document Number	Rev
		LA-7731P	0.3
Date:	Thursday, September 01, 2011	Sheet 23 of 59	



For Webcam

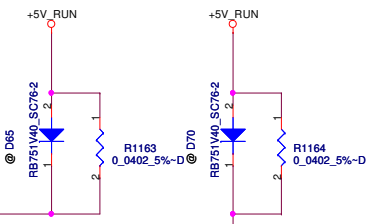
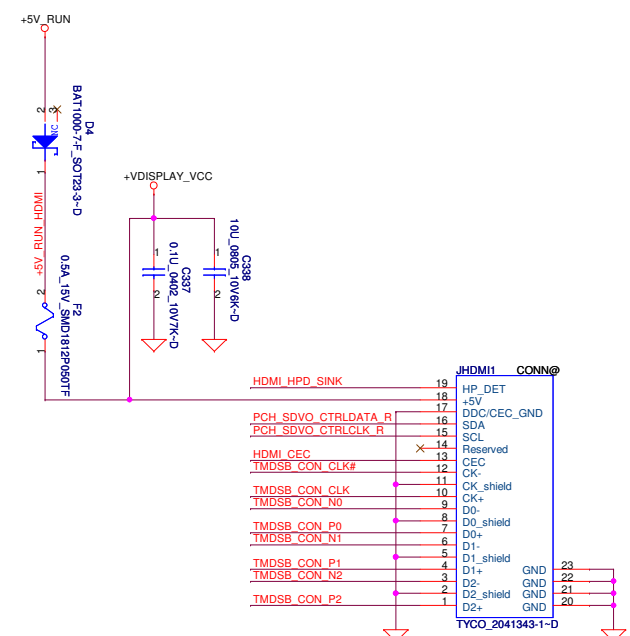
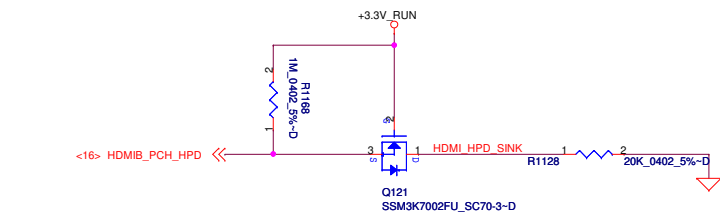
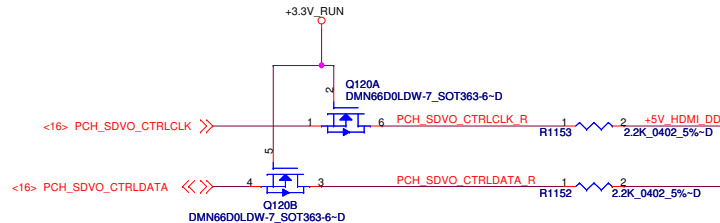
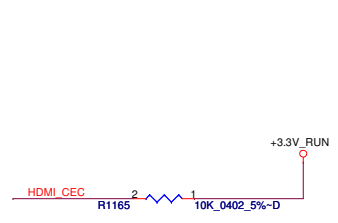
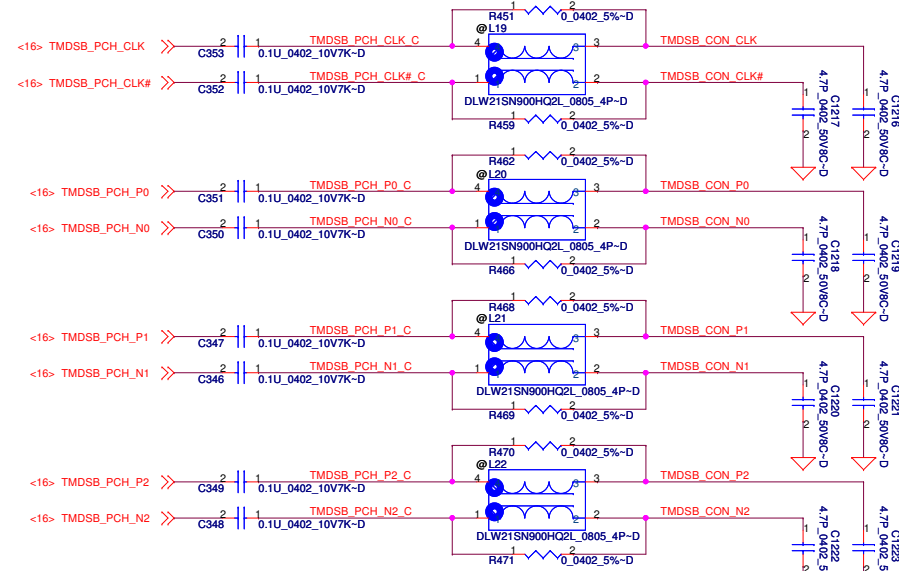
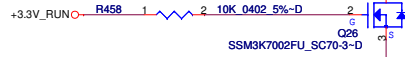


DELL CONFIDENTIAL/PROPRIETARY

Compal Electronics, Inc.
LVDS
LA-7731P
 Title: LVDS
 Size: Document Number
 Date: Thursday, September 01, 2011 Sheet 24 of 59

PROPRIETARY NOTE: THIS SHEET OF ENGINEERING DRAWING AND SPECIFICATIONS CONTAINS CONFIDENTIAL TRADE SECRET AND OTHER PROPRIETARY INFORMATION OF DELL INC. ("DELL") THIS DOCUMENT MAY NOT BE TRANSFERRED OR COPIED WITHOUT THE EXPRESS WRITTEN AUTHORIZATION OF DELL. IN ADDITION, NEITHER THIS SHEET NOR THE INFORMATION IT CONTAINS MAY BE USED BY OR DISCLOSED TO ANY THIRD PARTY WITHOUT DELL'S EXPRESS WRITTEN CONSENT.

TMDSB_PCH_P2_C	R452	1	2	680_0402_5%-D	HDMI_OB
TMDSB_PCH_N2_C	R450	1	2	680_0402_5%-D	
TMDSB_PCH_P1_C	R448	1	2	680_0402_5%-D	
TMDSB_PCH_N1_C	R449	1	2	680_0402_5%-D	
TMDSB_PCH_P0_C	R454	1	2	680_0402_5%-D	
TMDSB_PCH_N0_C	R453	1	2	680_0402_5%-D	
TMDSB_PCH_CLK_C	R456	1	2	680_0402_5%-D	
TMDSB_PCH_CLK#_C	R455	1	2	680_0402_5%-D	



PROPRIETARY NOTE: THIS SHEET OF ENGINEERING DRAWING AND SPECIFICATIONS CONTAINS CONFIDENTIAL TRADE SECRET AND OTHER PROPRIETARY INFORMATION OF DELL INC. ("DELL") THIS DOCUMENT MAY NOT BE TRANSFERRED OR COPIED WITHOUT THE EXPRESS WRITTEN AUTHORIZATION OF DELL. IN ADDITION, NEITHER THIS SHEET NOR THE INFORMATION IT CONTAINS MAY BE USED BY OR DISCLOSED TO ANY THIRD PARTY WITHOUT DELL'S EXPRESS WRITTEN CONSENT.

DELL CONFIDENTIAL/PROPRIETARY

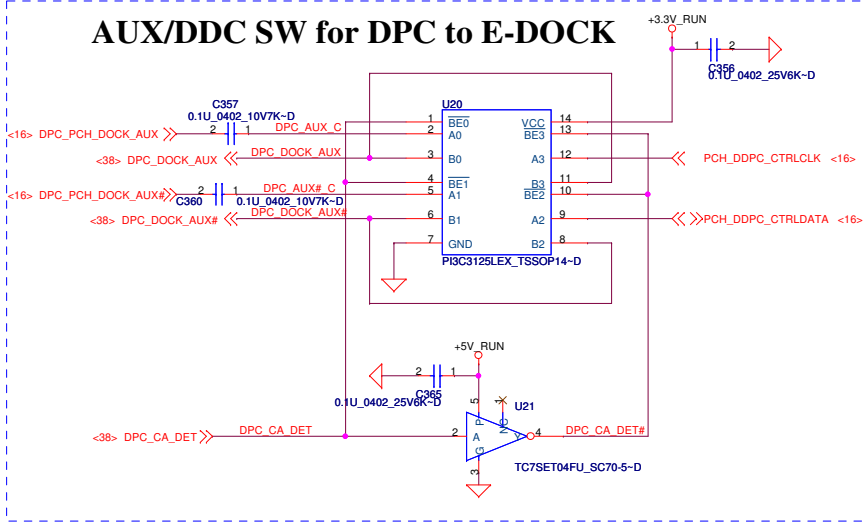
Compal Electronics, Inc.

HDMI port

LA-7731P

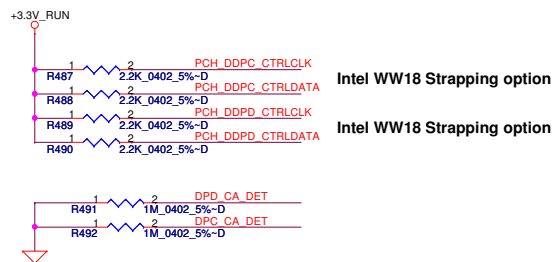
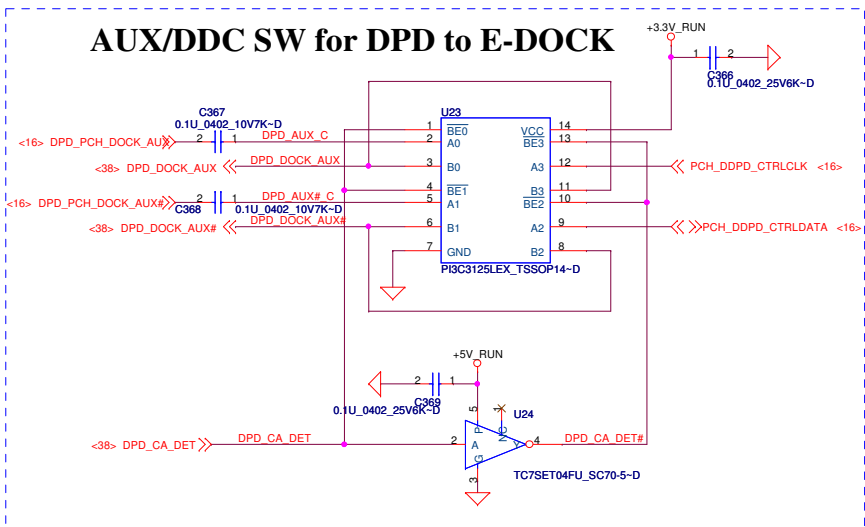
Thursday, September 01, 2011 Sheet 25 of 59

AUX/DDC SW for DPC to E-DOCK



There is a new die for PI3C3125. Sample available on May.

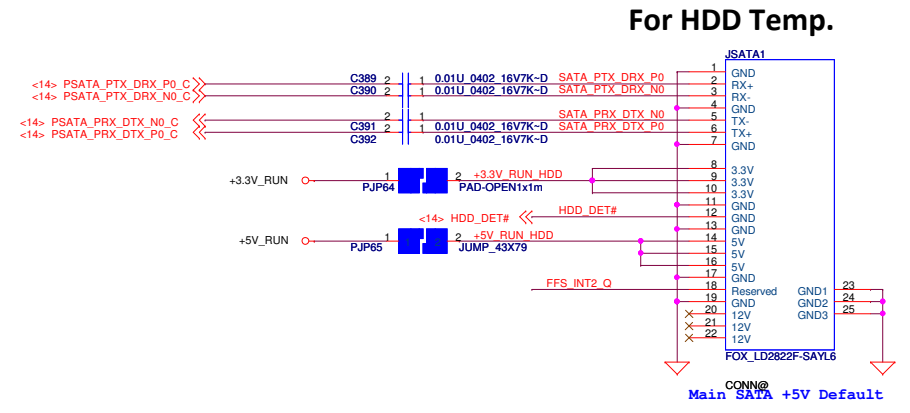
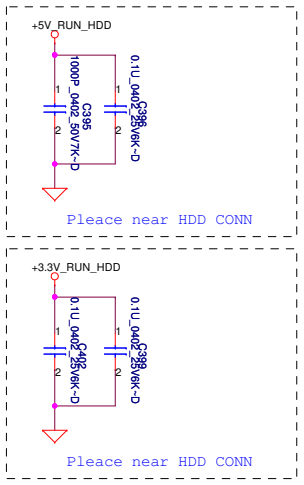
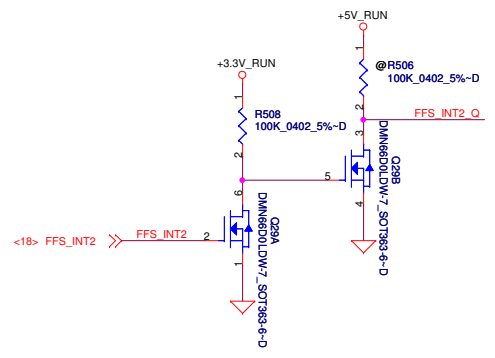
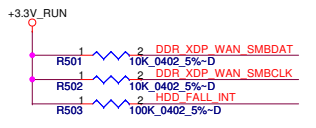
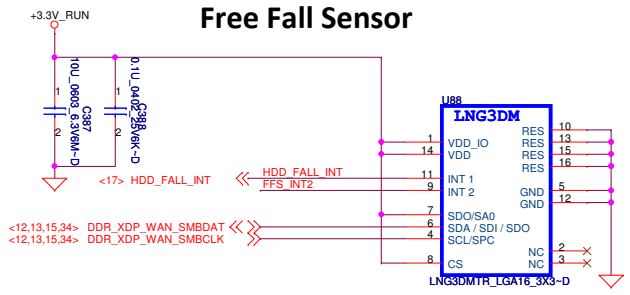
AUX/DDC SW for DPD to E-DOCK



PROPRIETARY NOTE: THIS SHEET OF ENGINEERING DRAWING AND SPECIFICATIONS CONTAINS CONFIDENTIAL TRADE SECRET AND OTHER PROPRIETARY INFORMATION OF DELL INC. ("DELL") THIS DOCUMENT MAY NOT BE TRANSFERRED OR COPIED WITHOUT THE EXPRESS WRITTEN AUTHORIZATION OF DELL. IN ADDITION, NEITHER THIS SHEET NOR THE INFORMATION IT CONTAINS MAY BE USED BY OR DISCLOSED TO ANY THIRD PARTY WITHOUT DELL'S EXPRESS WRITTEN CONSENT.

DELL CONFIDENTIAL/PROPRIETARY

Compal Electronics, Inc.			
Title DP125			
Size	Document Number LA-7731P	Rev 0.3	
Date: Thursday, September 01, 2011		Sheet 26 of 59	



PROPRIETARY NOTE: THIS SHEET OF ENGINEERING DRAWING AND SPECIFICATIONS CONTAINS CONFIDENTIAL TRADE SECRET AND OTHER PROPRIETARY INFORMATION OF DELL INC. ("DELL") THIS DOCUMENT MAY NOT BE TRANSFERRED OR COPIED WITHOUT THE EXPRESS WRITTEN AUTHORIZATION OF DELL. IN ADDITION, NEITHER THIS SHEET NOR THE INFORMATION IT CONTAINS MAY BE USED BY OR DISCLOSED TO ANY THIRD PARTY WITHOUT DELL'S EXPRESS WRITTEN CONSENT.

DELL CONFIDENTIAL/PROPRIETARY

Compal Electronics, Inc.

Title: **HDD CONNECTOR**

Size: Document Number **LA-7731P** Rev: 0.3

Date: Thursday, September 01, 2011 Sheet 27 of 59

5

4

3

2

1

D

D

C

C

B

B

A

A

PROPRIETARY NOTE: THIS SHEET OF ENGINEERING DRAWING AND SPECIFICATIONS CONTAINS CONFIDENTIAL TRADE SECRET AND OTHER PROPRIETARY INFORMATION OF DELL INC. ("DELL") THIS DOCUMENT MAY NOT BE TRANSFERRED OR COPIED WITHOUT THE EXPRESS WRITTEN AUTHORIZATION OF DELL. IN ADDITION, NEITHER THIS SHEET NOR THE INFORMATION IT CONTAINS MAY BE USED BY OR DISCLOSED TO ANY THIRD PARTY WITHOUT DELL'S EXPRESS WRITTEN CONSENT.

DELL CONFIDENTIAL/PROPRIETARY

Compal Electronics, Inc.



Title		
ODD CONNECTOR		
Size	Document Number	Rev
	LA-7731P	0.3
Date:	Thursday, September 01, 2011	
	Sheet	28 of 59

5

4

3

2

1

D

D

C

C

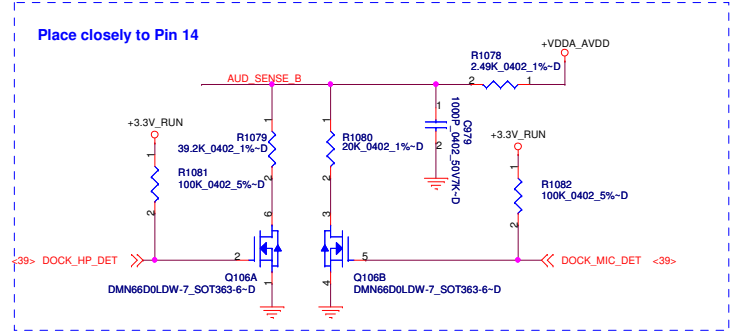
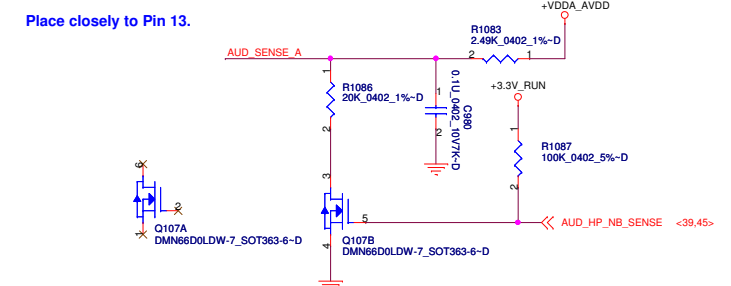
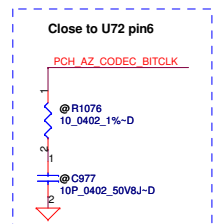
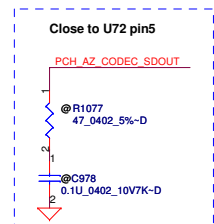
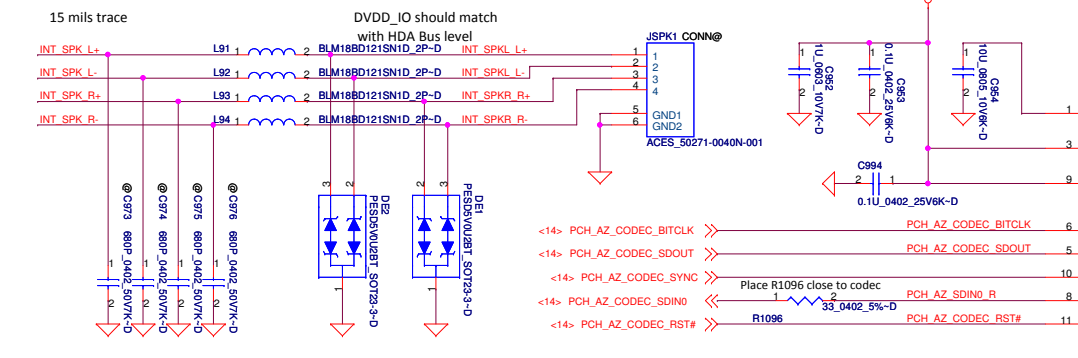
B

B

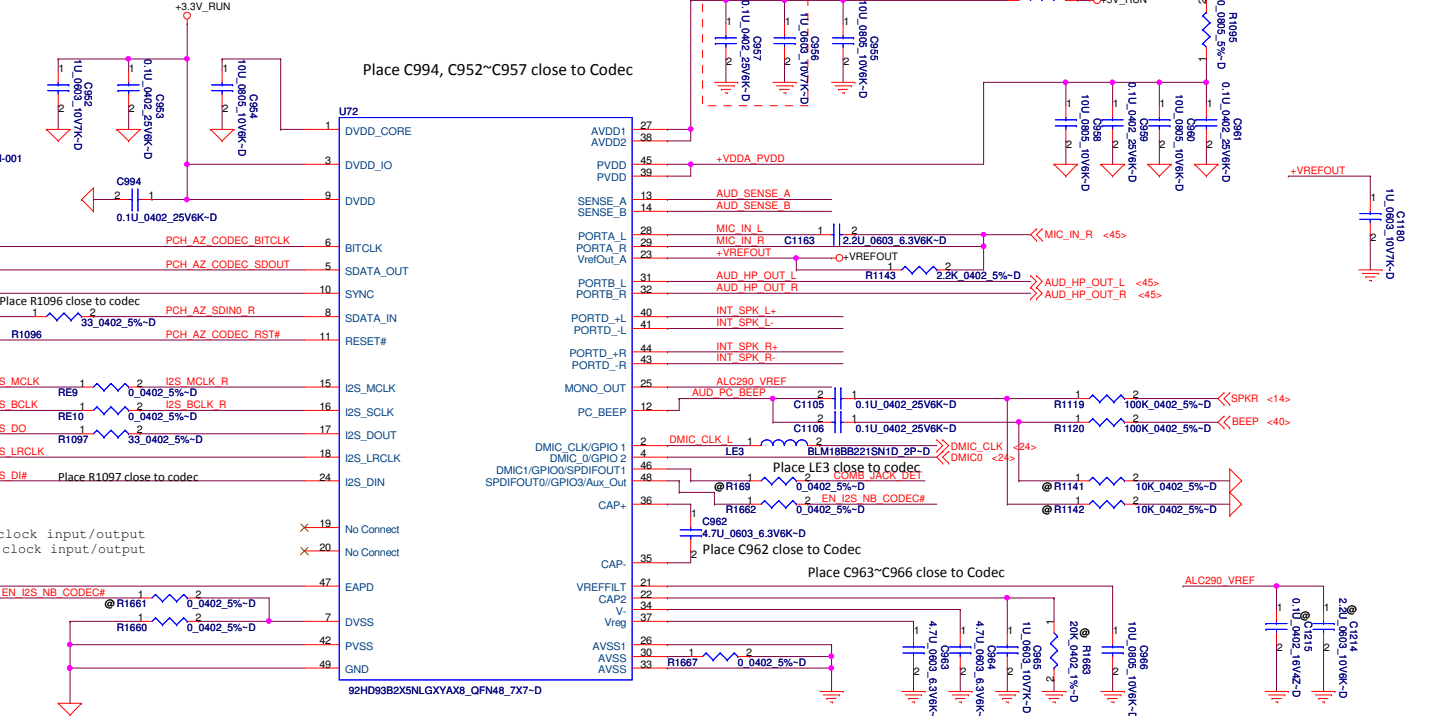
A

A

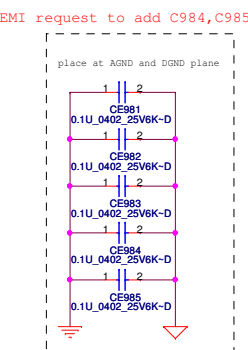
Internal Speakers Header



Place C994, C952~C957 close to Codec

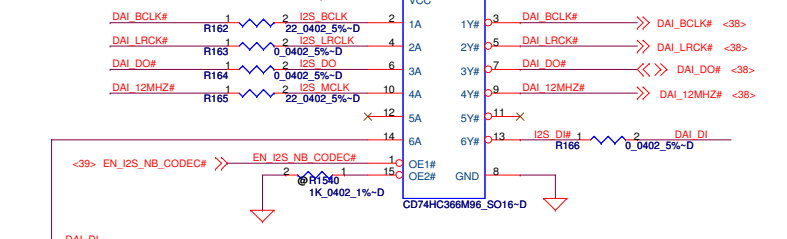


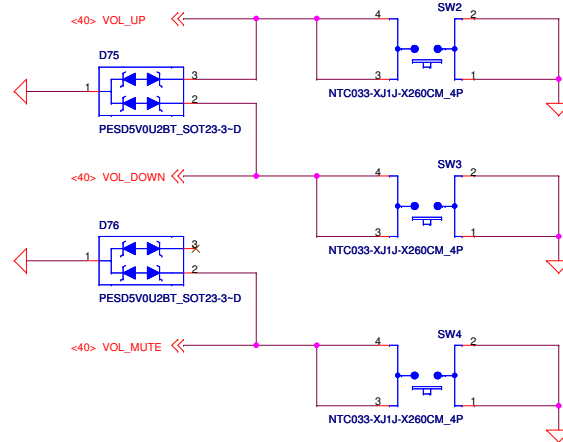
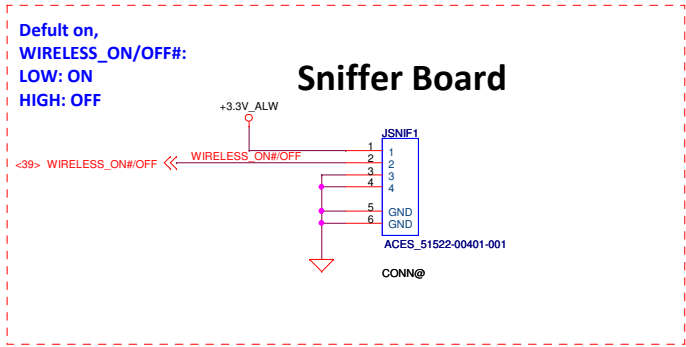
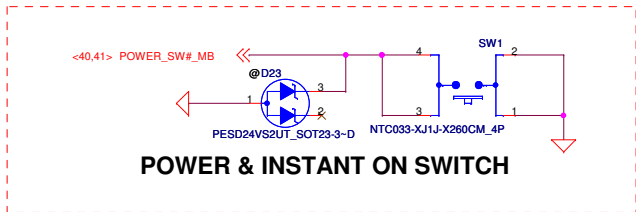
Notes:
Keep PVDD supply and speaker traces routed on the DGNL plane.
Keep away from AGND and other analog signals



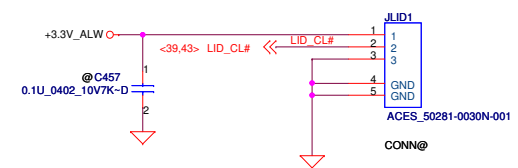
Port	Function
PORT A	External MIC
PORT B	HeadPhone Out
PORT C	Intel
PORT D	Internal SPK
PORT E	DOCK
PORT F	DOCK

Resistor	SENSE_A	SENSE_B
39.2K	PORT A	PORT E
20K	PORT B	PORT F
10K	NA	DMIC0
5.11K	SPDIFOUT0	SPDIFOUT1 (DMIC1)
2.49K	Pull-up to AVDD	





Lid board



PROPRIETARY NOTE: THIS SHEET OF ENGINEERING DRAWING AND SPECIFICATIONS CONTAINS CONFIDENTIAL TRADE SECRET AND OTHER PROPRIETARY INFORMATION OF DELL INC. ("DELL") THIS DOCUMENT MAY NOT BE TRANSFERRED OR COPIED WITHOUT THE EXPRESS WRITTEN AUTHORIZATION OF DELL. IN ADDITION, NEITHER THIS SHEET NOR THE INFORMATION IT CONTAINS MAY BE USED BY OR DISCLOSED TO ANY THIRD PARTY WITHOUT DELL'S EXPRESS WRITTEN CONSENT.

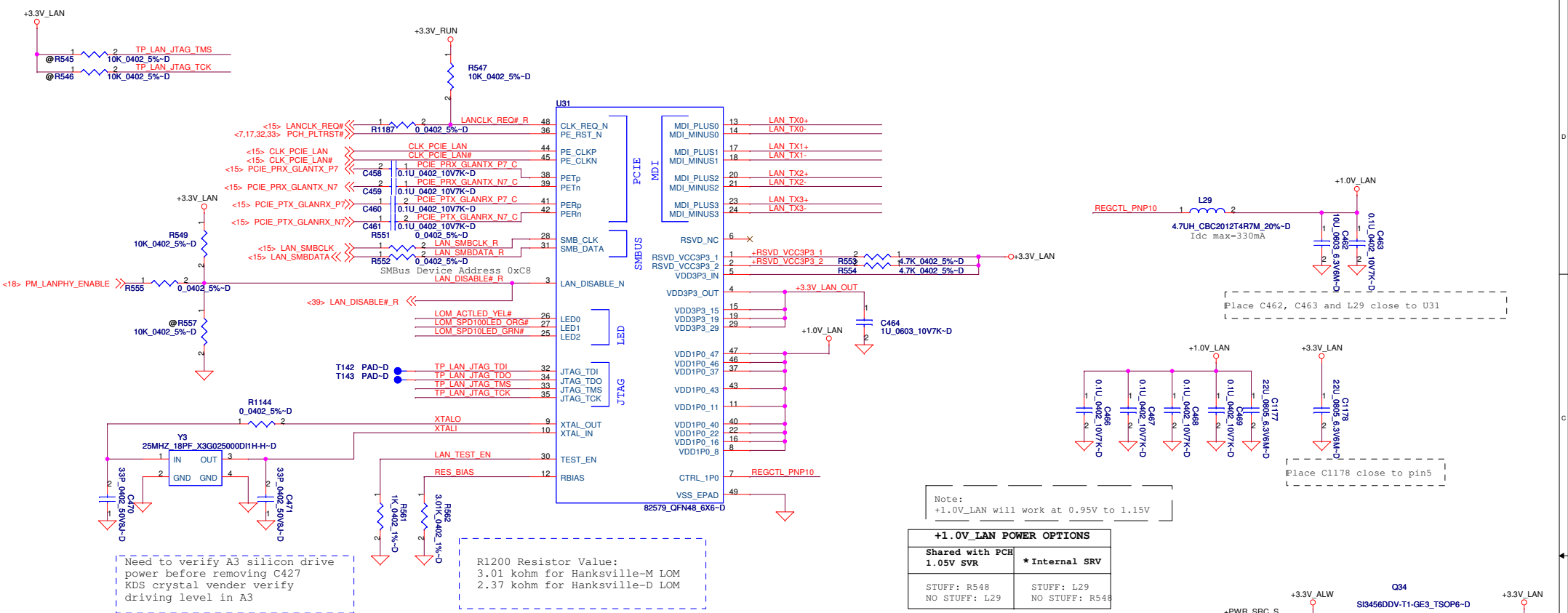
DELL CONFIDENTIAL/PROPRIETARY

Compal Electronics, Inc.

Title: **PWR SW/Sub-board Connector**

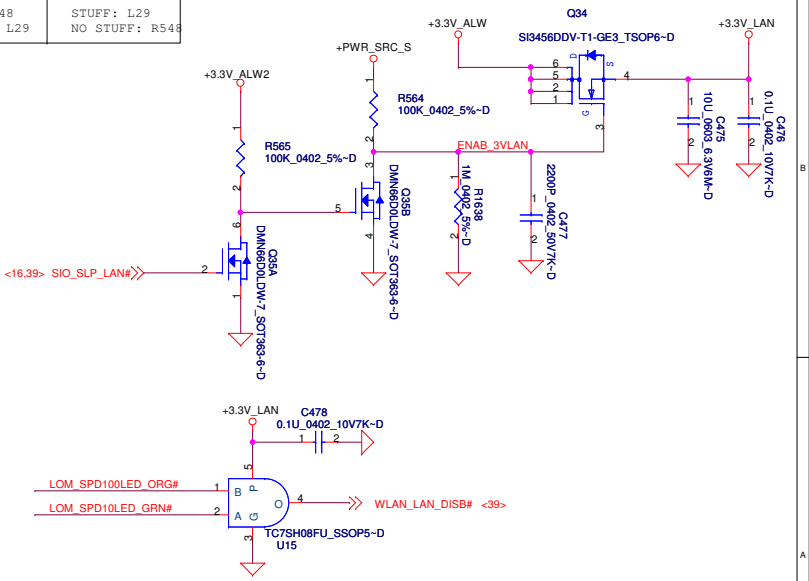
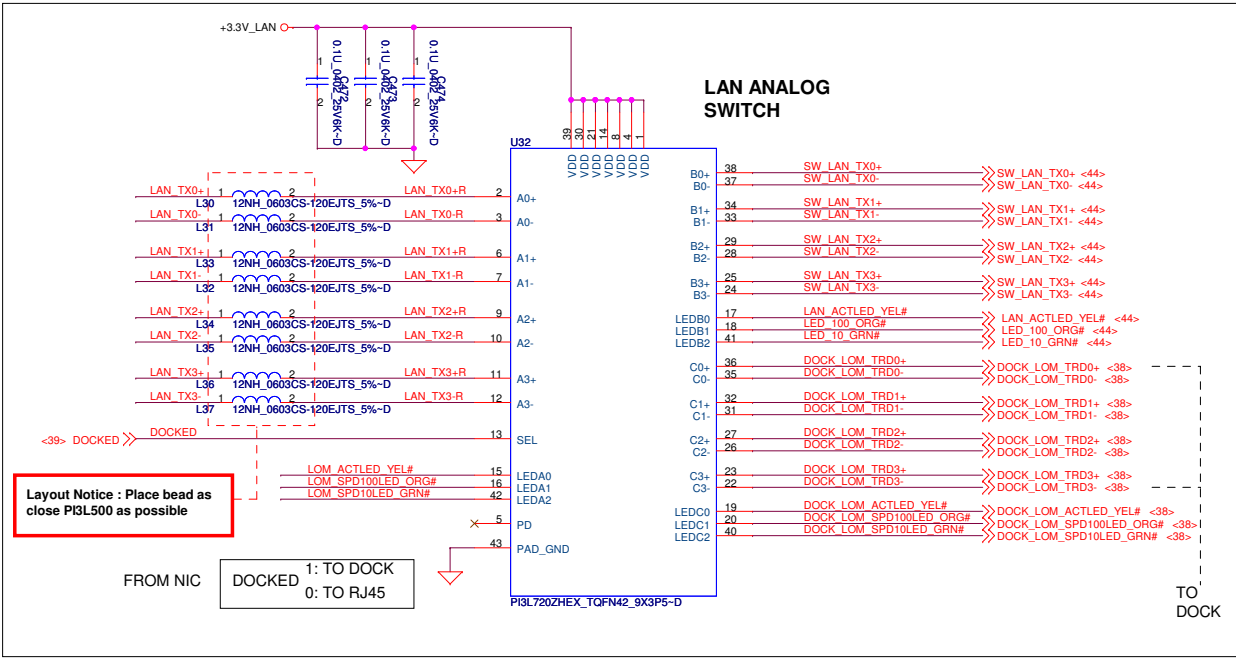
Size: **LA-7731P** Rev: **0.3**

Date: **Thursday, September 01, 2011** Sheet: **30** of **59**



Note:
+1.0V_LAN will work at 0.95V to 1.15V

+1.0V_LAN POWER OPTIONS	
Shared with PCH 1.05V SVR	* Internal SRV
STUFF: R548 NO STUFF: L29	STUFF: L29 NO STUFF: R548



DELL CONFIDENTIAL/PROPRIETARY

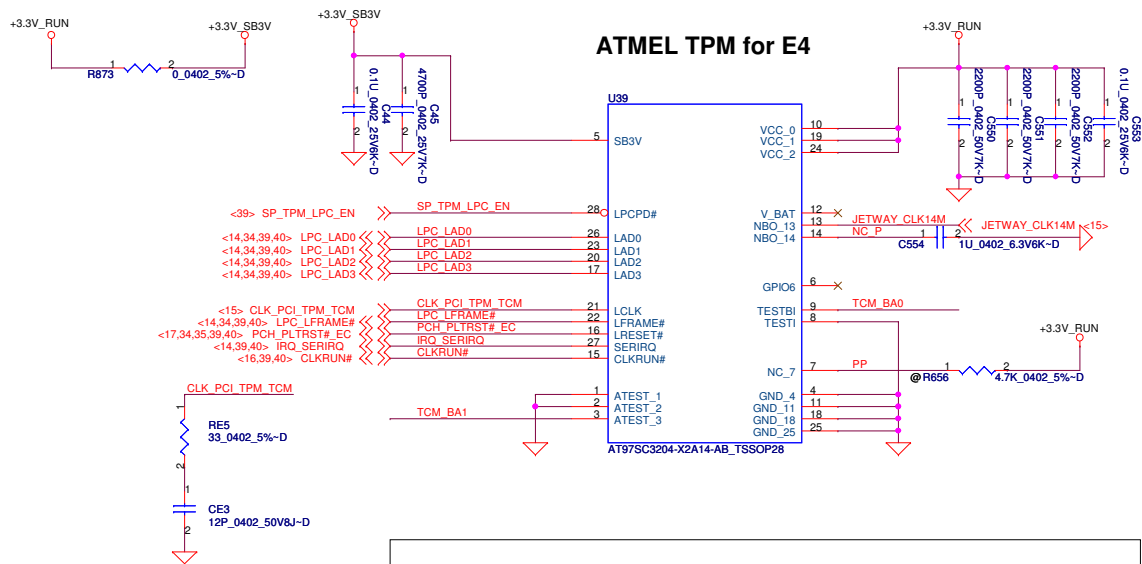
Compal Electronics, Inc.

Title: **Intel 82579 (Hanksville) / LAN SW**

Document Number: **LA-7731P**

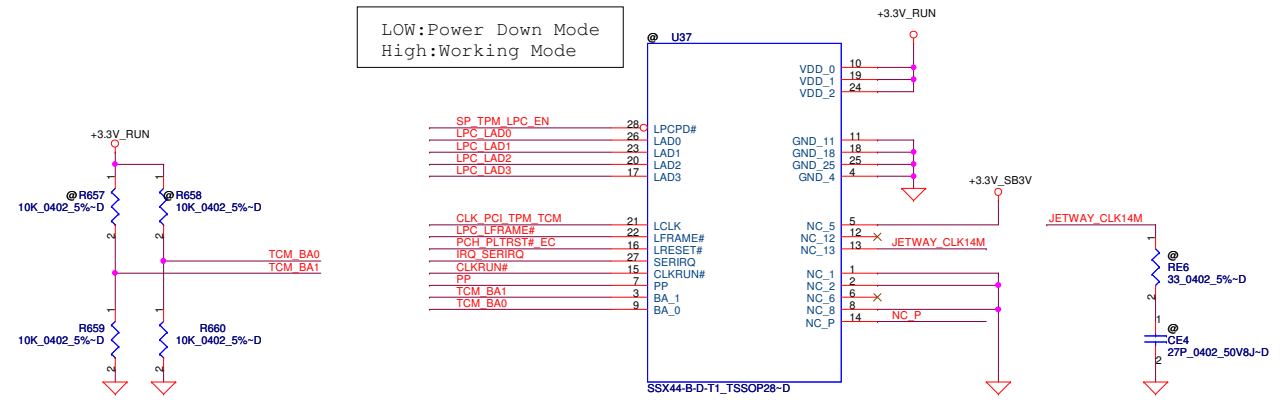
Date: Thursday, September 01, 2011

Sheet 31 of 59

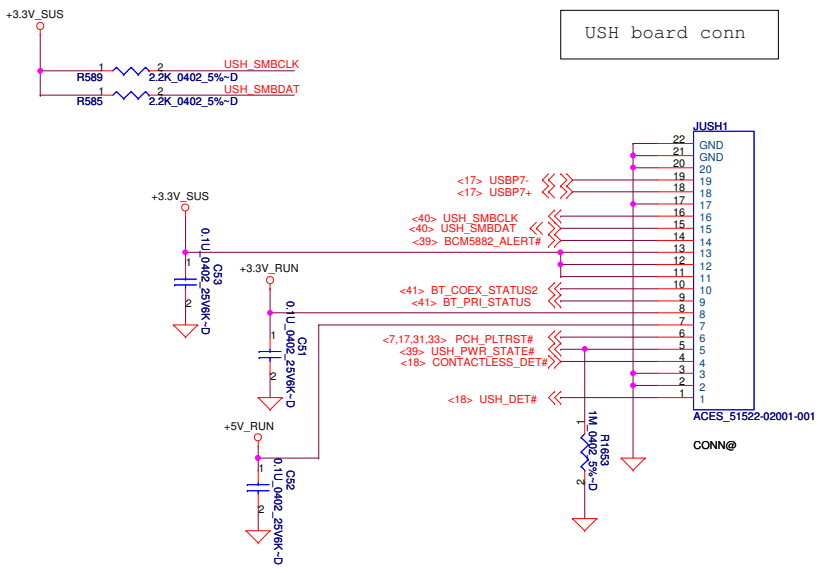


Co-lay U37 and U39
LPC layout: Place TCM first and then end LPC with TPM.

China TCM: NationZ & Jetway co-lay



LOW: Power Down Mode
 High: Working Mode

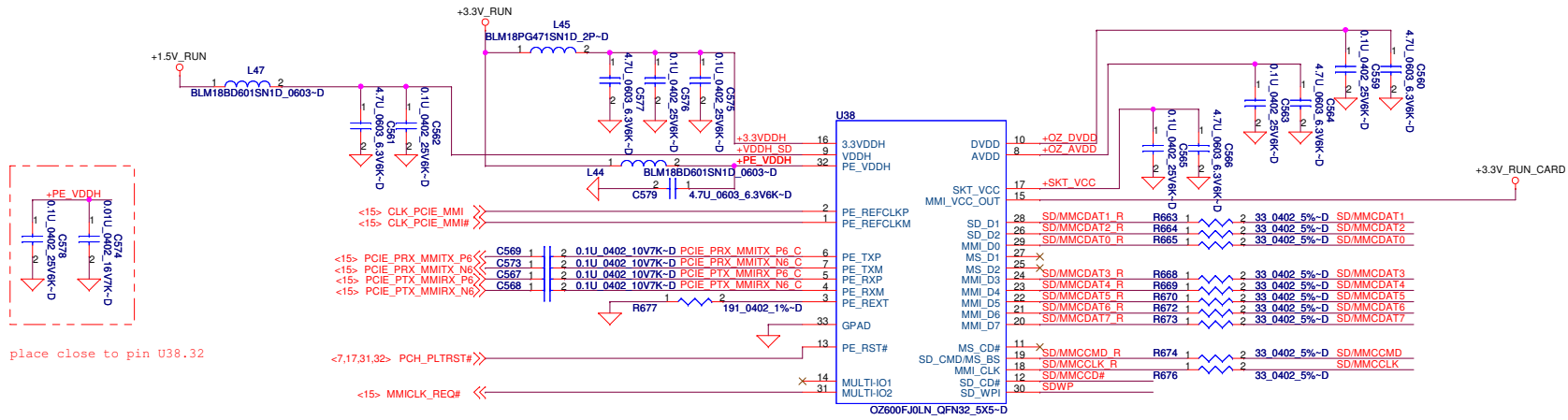


PROPRIETARY NOTE: THIS SHEET OF ENGINEERING DRAWING AND SPECIFICATIONS CONTAINS CONFIDENTIAL TRADE SECRET AND OTHER PROPRIETARY INFORMATION OF DELL INC. ("DELL") THIS DOCUMENT MAY NOT BE TRANSFERRED OR COPIED WITHOUT THE EXPRESS WRITTEN AUTHORIZATION OF DELL. IN ADDITION, NEITHER THIS SHEET NOR THE INFORMATION IT CONTAINS MAY BE USED BY OR DISCLOSED TO ANY THIRD PARTY WITHOUT DELL'S EXPRESS WRITTEN CONSENT.

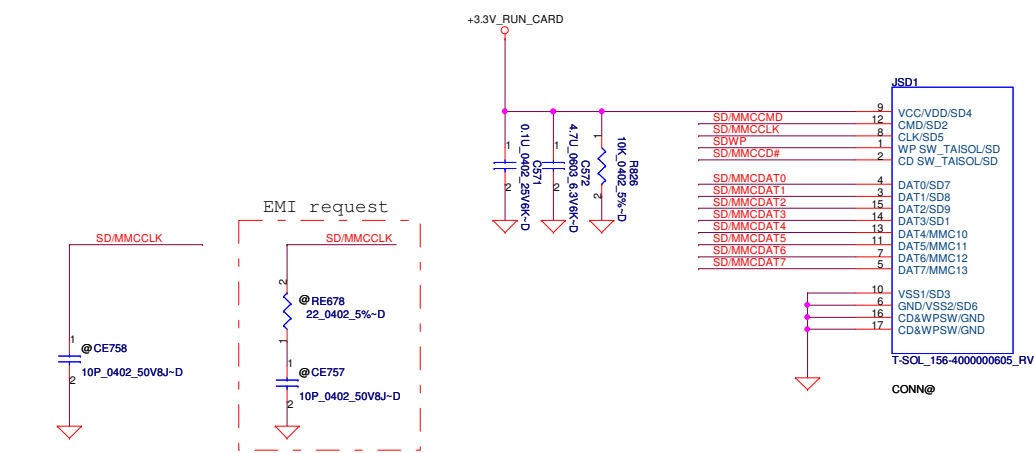
DELL CONFIDENTIAL/PROPRIETARY
Compal Electronics, Inc.

Title: **TPM/TCM**
 Size: **LA-7731P**
 Date: Thursday, September 01, 2011 Sheet 32 of 59

Rev 0.3



place close to pin U38.32



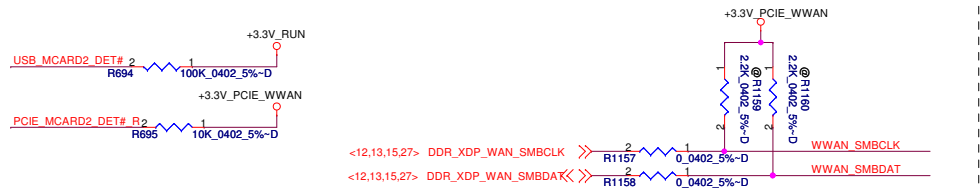
PROPRIETARY NOTE: THIS SHEET OF ENGINEERING DRAWING AND SPECIFICATIONS CONTAINS CONFIDENTIAL TRADE SECRET AND OTHER PROPRIETARY INFORMATION OF DELL INC. ("DELL"). THIS DOCUMENT MAY NOT BE TRANSFERRED OR COPIED WITHOUT THE EXPRESS WRITTEN AUTHORIZATION OF DELL. IN ADDITION, NEITHER THIS SHEET NOR THE INFORMATION IT CONTAINS MAY BE USED BY OR DISCLOSED TO ANY THIRD PARTY WITHOUT DELL'S EXPRESS WRITTEN CONSENT.



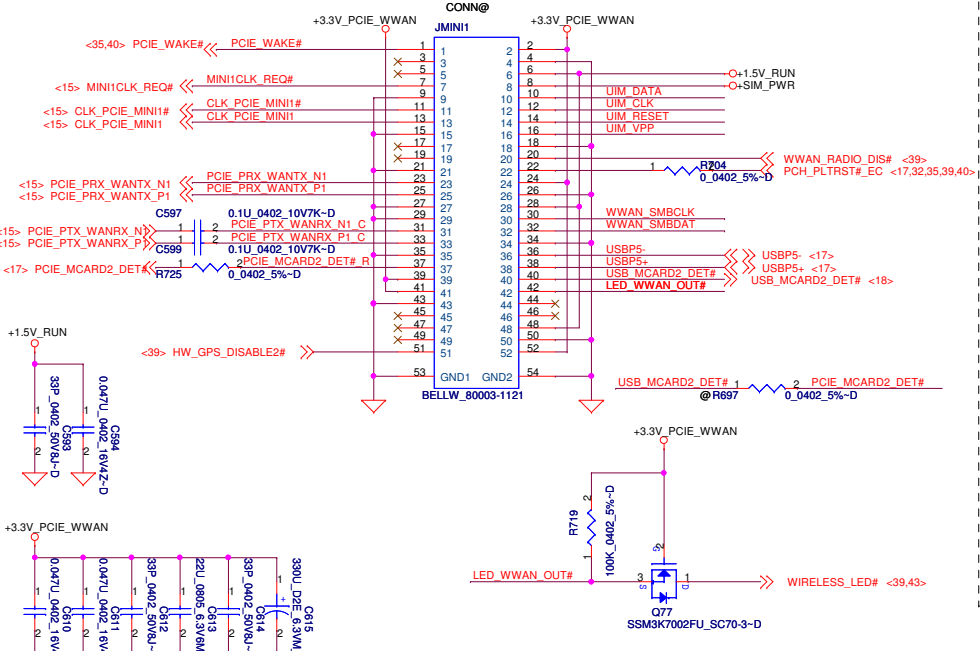
DELL CONFIDENTIAL/PROPRIETARY

Compal Electronics, Inc.

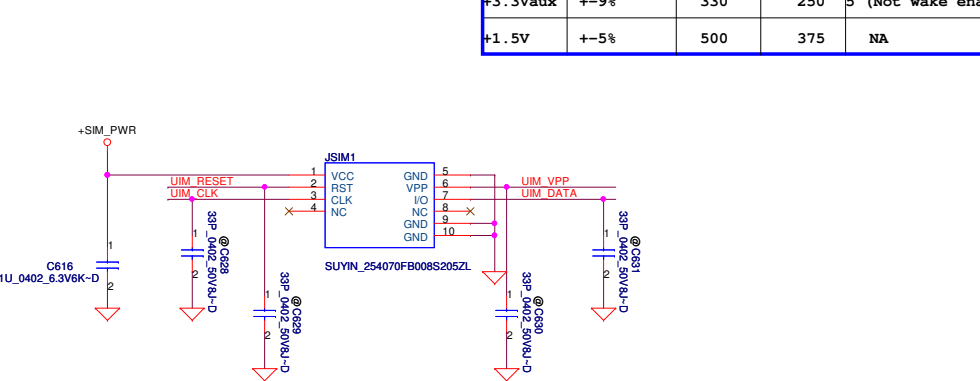
Title				Rev 0.3
Card Reader				
Size	Document Number	LA-7731P		
Date:	Thursday, September 01, 2011	Sheet	33 of 59	



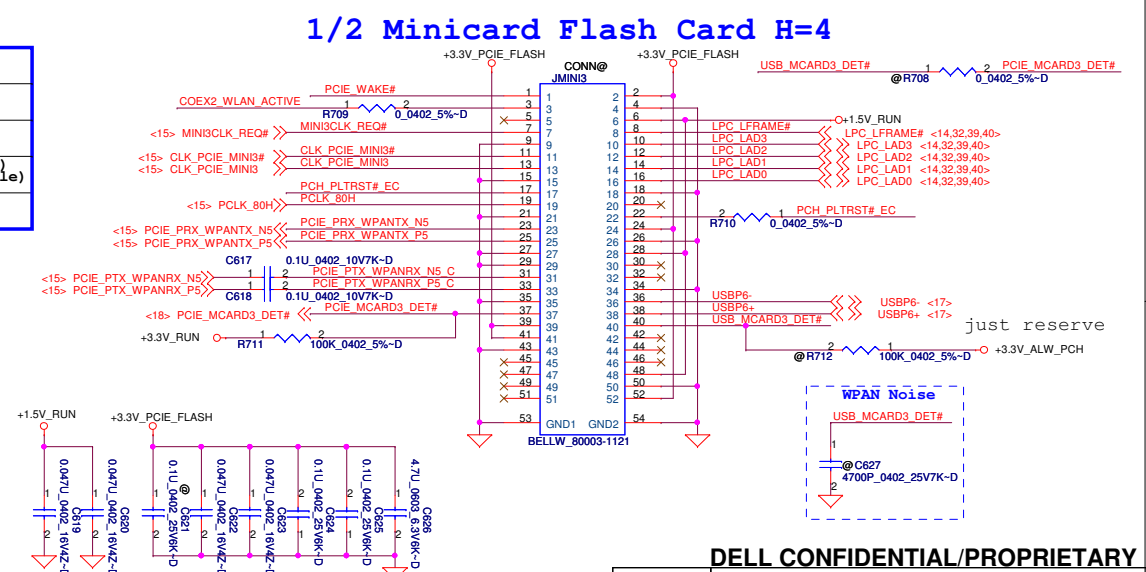
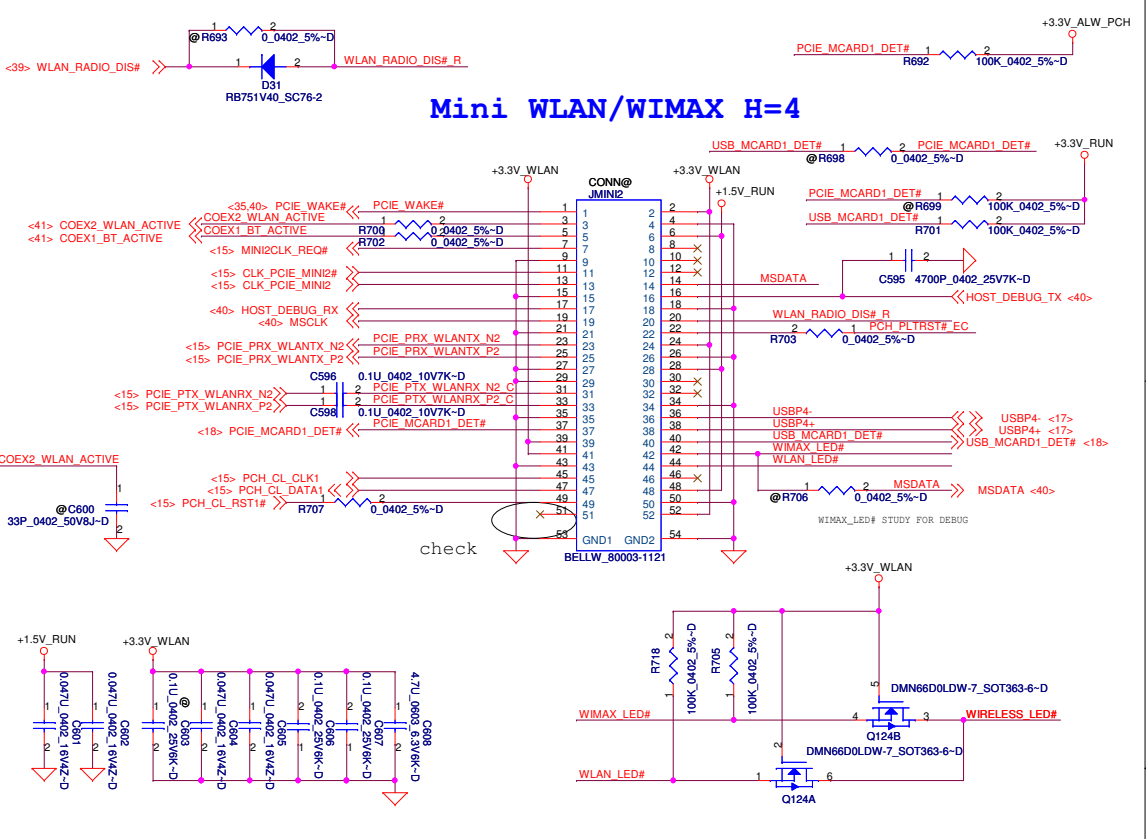
Mini WWAN/GPS/LTE/UWB H=5.2



SIM Card Push-Push



PWR Rail	Voltage Tolerance	Primary Power		Aux Power
		Peak	Normal	Normal
+3.3V	+~9%	1000	750	
+3.3Vaux	+~9%	330	250 (Wake enable) 5 (Not wake enable)	
+1.5V	+~5%	500	375	NA



PROPRIETARY NOTE: THIS SHEET OF ENGINEERING DRAWING AND SPECIFICATIONS CONTAINS CONFIDENTIAL TRADE SECRET AND OTHER PROPRIETARY INFORMATION OF DELL INC. ("DELL"). THIS DOCUMENT MAY NOT BE TRANSFERRED OR COPIED WITHOUT THE EXPRESS WRITTEN AUTHORIZATION OF DELL. IN ADDITION, NEITHER THIS SHEET NOR THE INFORMATION IT CONTAINS MAY BE USED BY OR DISCLOSED TO ANY THIRD PARTY WITHOUT DELL'S EXPRESS WRITTEN CONSENT.

DELL CONFIDENTIAL/PROPRIETARY

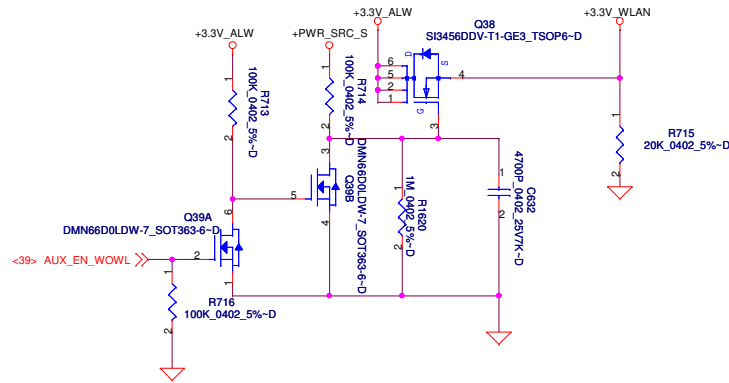
Compal Electronics, Inc.

Mini Card

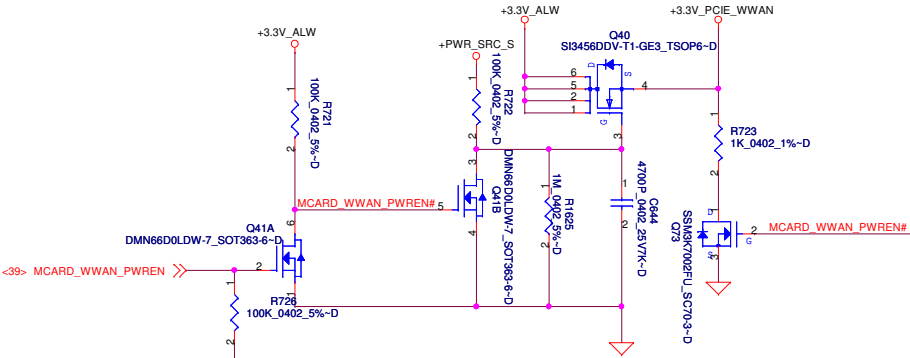
LA-7731P

Date: Thursday, September 01, 2011 Sheet 34 of 59

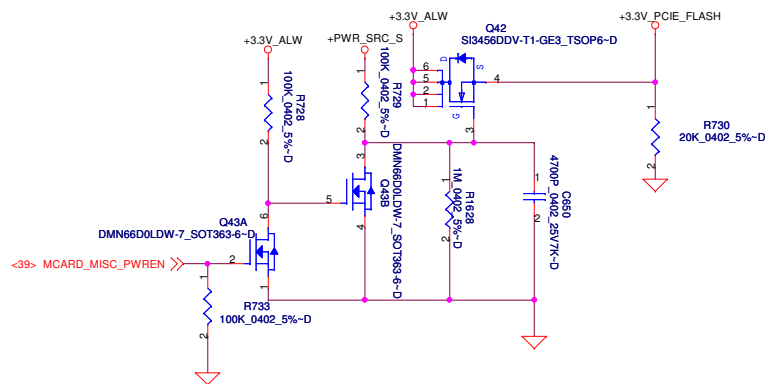
Power Control for Mini card1



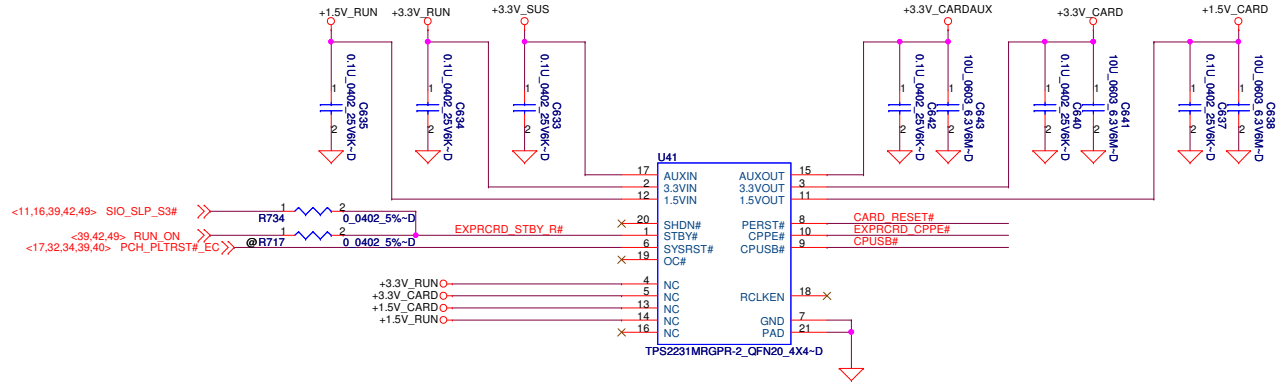
Power Control for Mini card2



Power Control for Mini card3

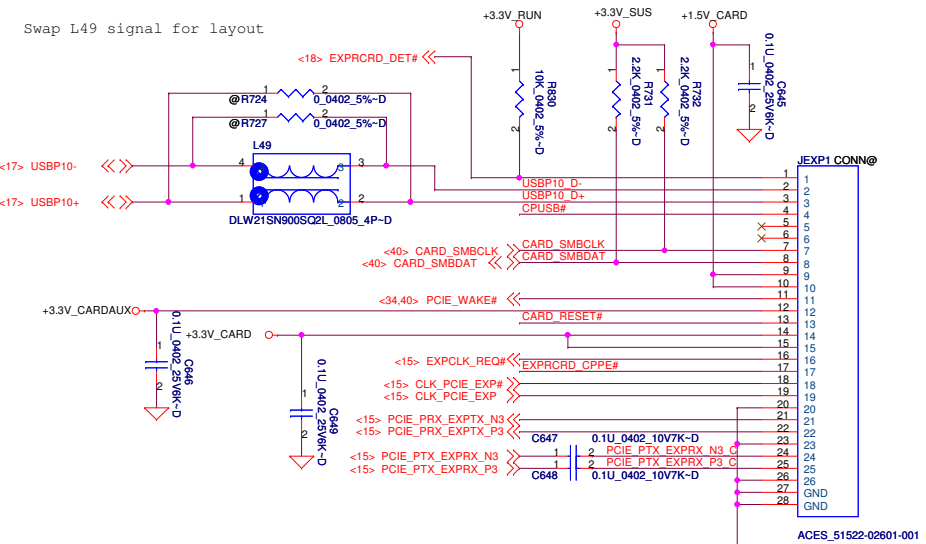


Express Card PWR S/W



[Note: Add connection on pin4, pin5, pin13 and pin14 to support GMT 2nd source part]

Express Card Conn.

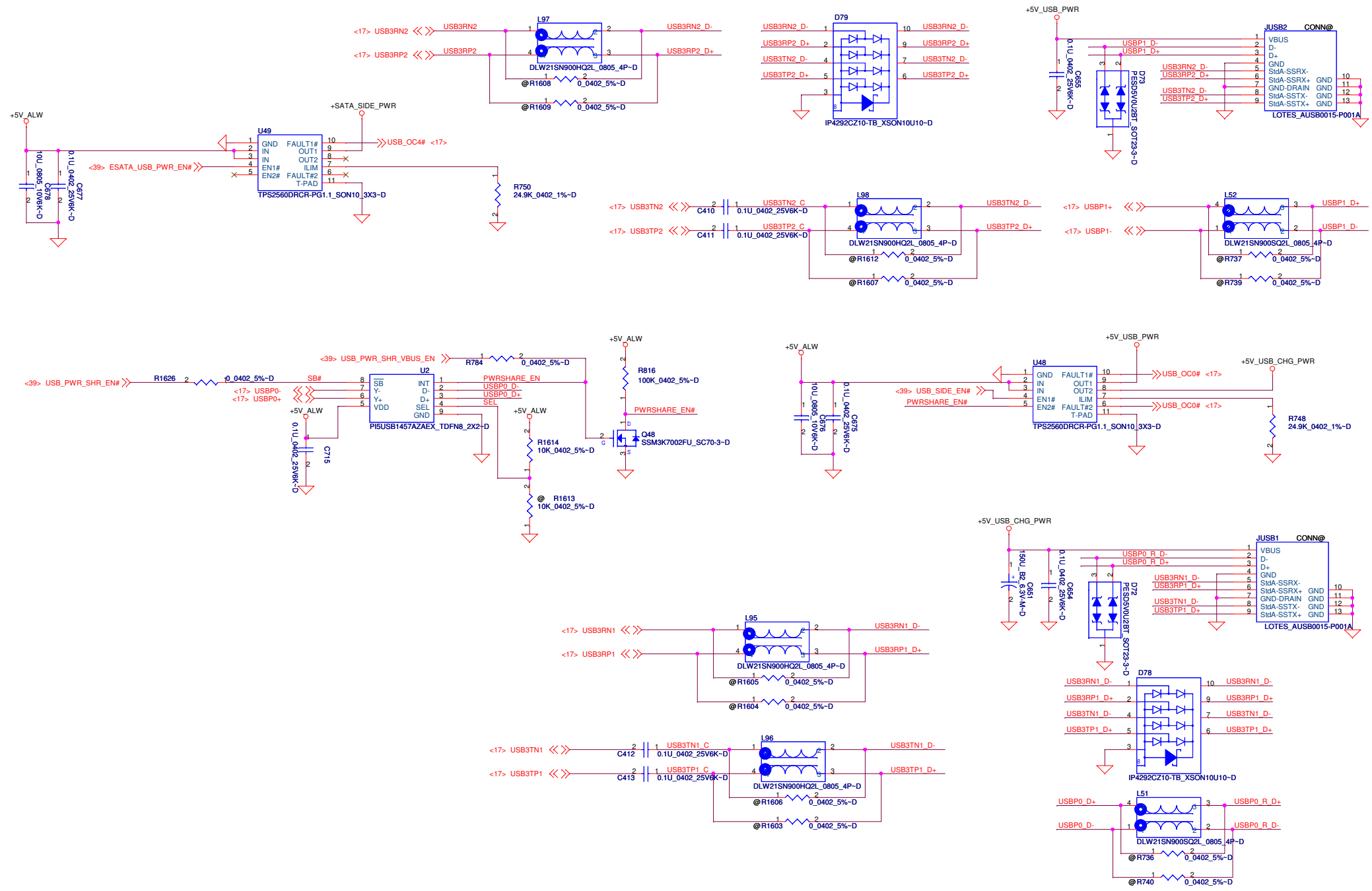


DELL CONFIDENTIAL/PROPRIETARY

Compal Electronics, Inc.

Title		PCIe-SATA SW / PCIe PWR	
Size	Document Number	Rev	
	LA-7731P	0.3	
Date:	Thursday, September 01, 2011	Sheet	35 of 59

PROPRIETARY NOTE: THIS SHEET OF ENGINEERING DRAWING AND SPECIFICATIONS CONTAINS CONFIDENTIAL TRADE SECRET AND OTHER PROPRIETARY INFORMATION OF DELL INC. ("DELL"). THIS DOCUMENT MAY NOT BE TRANSMITTED OR COPIED WITHOUT THE EXPRESS WRITTEN AUTHORIZATION OF DELL. IN ADDITION, NEITHER THIS SHEET NOR THE INFORMATION IT CONTAINS MAY BE USED BY OR DISCLOSED TO ANY THIRD PARTY WITHOUT DELL'S EXPRESS WRITTEN CONSENT.



DELL CONFIDENTIAL/PROPRIETARY



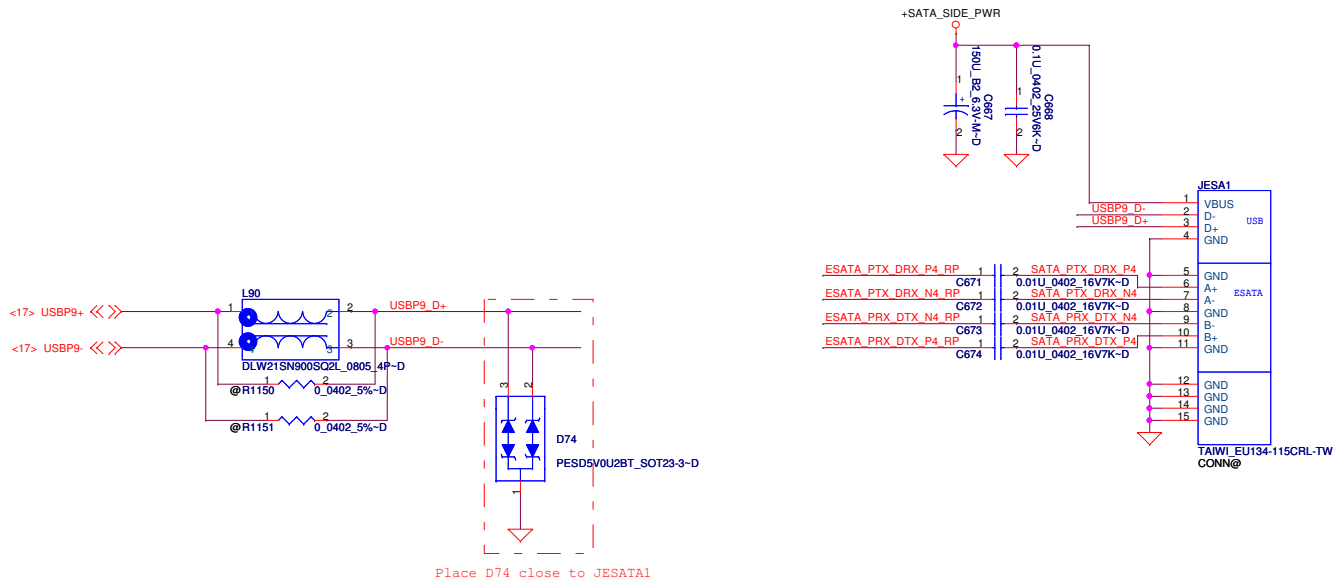
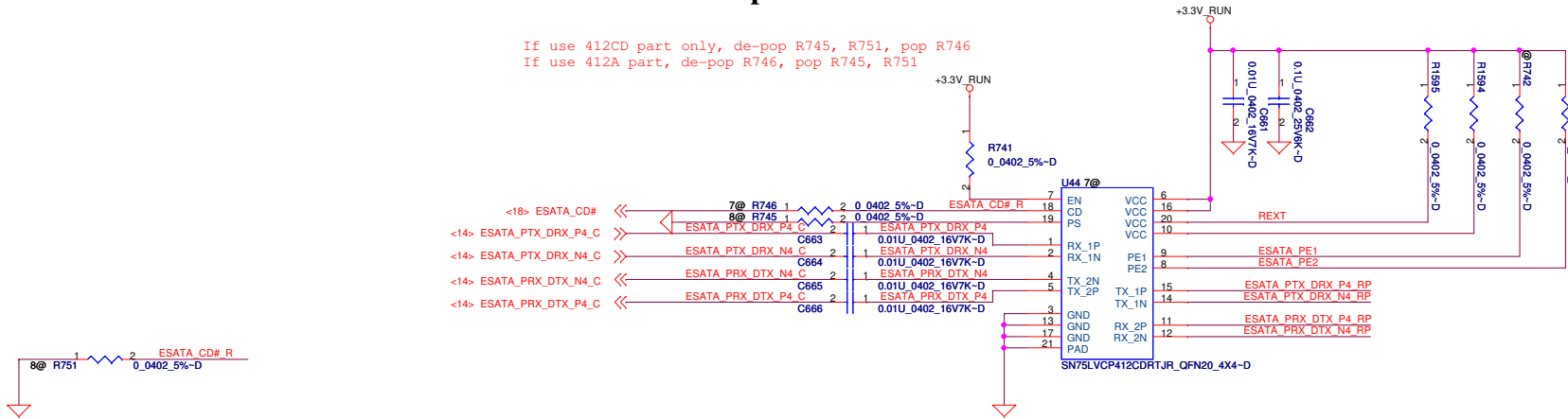
Compal Electronics, Inc.			
USB 3.0 x2			
Size	Document Number	Rev	
	LA-7731P	0.3	
Date:	Thursday, September 01, 2011	Sheet	36 of 59

PROPRIETARY NOTE: THIS SHEET OF ENGINEERING DRAWING AND SPECIFICATIONS CONTAINS CONFIDENTIAL TRADE SECRET AND OTHER PROPRIETARY INFORMATION OF DELL INC. ("DELL"). THIS DOCUMENT MAY NOT BE TRANSFERRED OR COPIED WITHOUT THE EXPRESS WRITTEN AUTHORIZATION OF DELL. IN ADDITION, NEITHER THIS SHEET NOR THE INFORMATION IT CONTAINS MAY BE USED BY OR DISCLOSED TO ANY THIRD PARTY WITHOUT DELL'S EXPRESS WRITTEN CONSENT.

ESATA Repeater

8@ U44
 PS8513BTQFN20GTR-A0
 SA00004WR00

If use 412CD part only, de-pop R745, R751, pop R746
 If use 412A part, de-pop R746, pop R745, R751



PROPRIETARY NOTE: THIS SHEET OF ENGINEERING DRAWING AND SPECIFICATIONS CONTAINS CONFIDENTIAL TRADE SECRET AND OTHER PROPRIETARY INFORMATION OF DELL INC. ("DELL"). THIS DOCUMENT MAY NOT BE TRANSFERRED OR COPIED WITHOUT THE EXPRESS WRITTEN AUTHORIZATION OF DELL. IN ADDITION, NEITHER THIS SHEET NOR THE INFORMATION IT CONTAINS MAY BE USED BY OR DISCLOSED TO ANY THIRD PARTY WITHOUT DELL'S EXPRESS WRITTEN CONSENT.

DELL CONFIDENTIAL/PROPRIETARY
Compal Electronics, Inc.

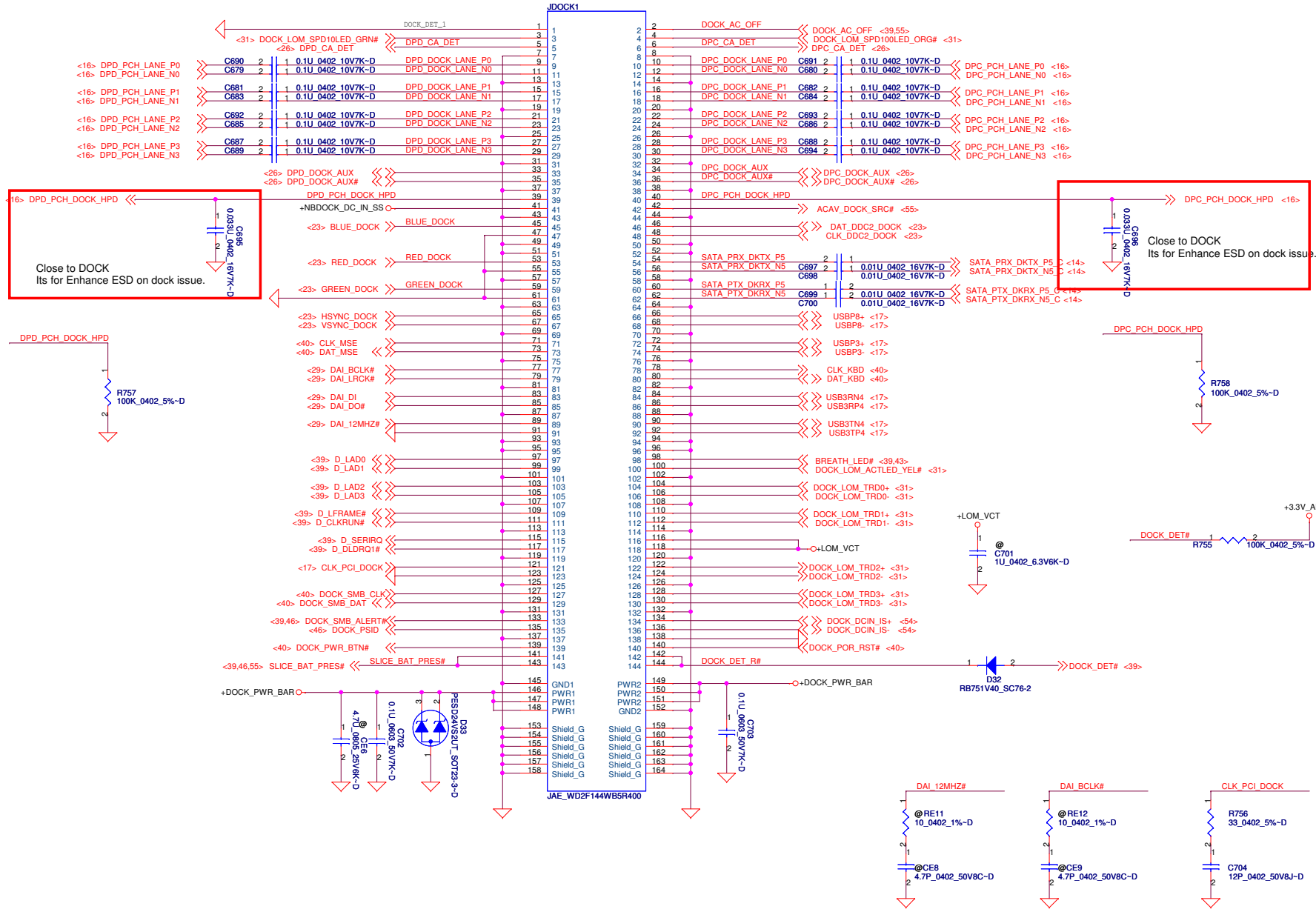
Title: **USB/ESATA/IO/MDC**

Size: **LA-7731P**

Date: Thursday, September 01, 2011

Sheet 37 of 59

Rev 0.3

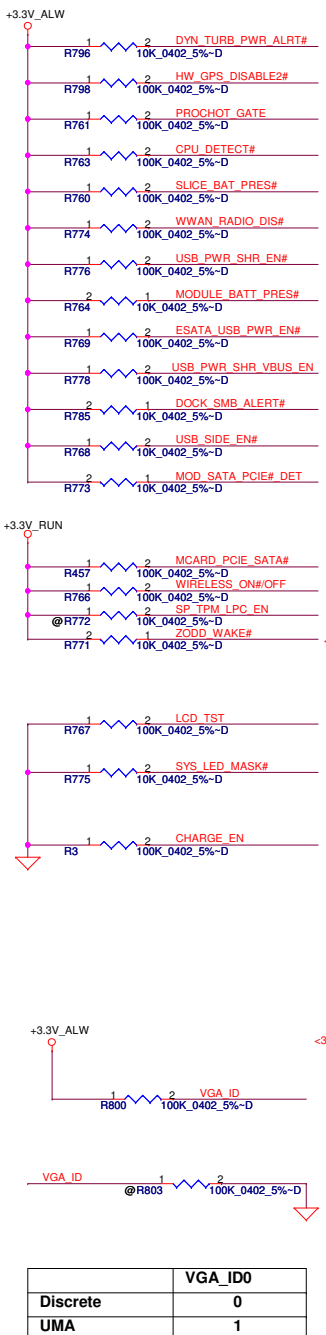


Close to DOCK
Its for Enhance ESD on dock issue.

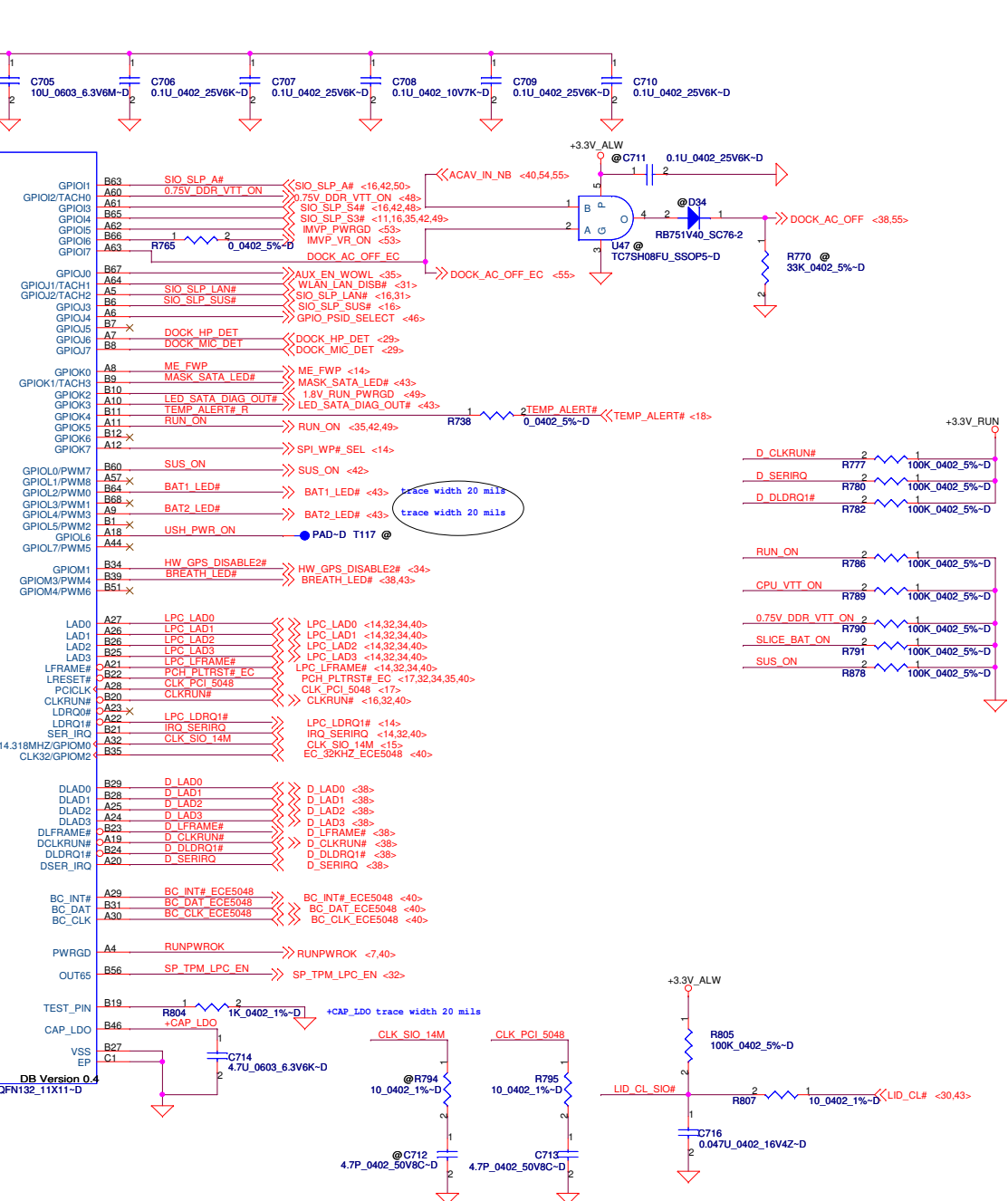
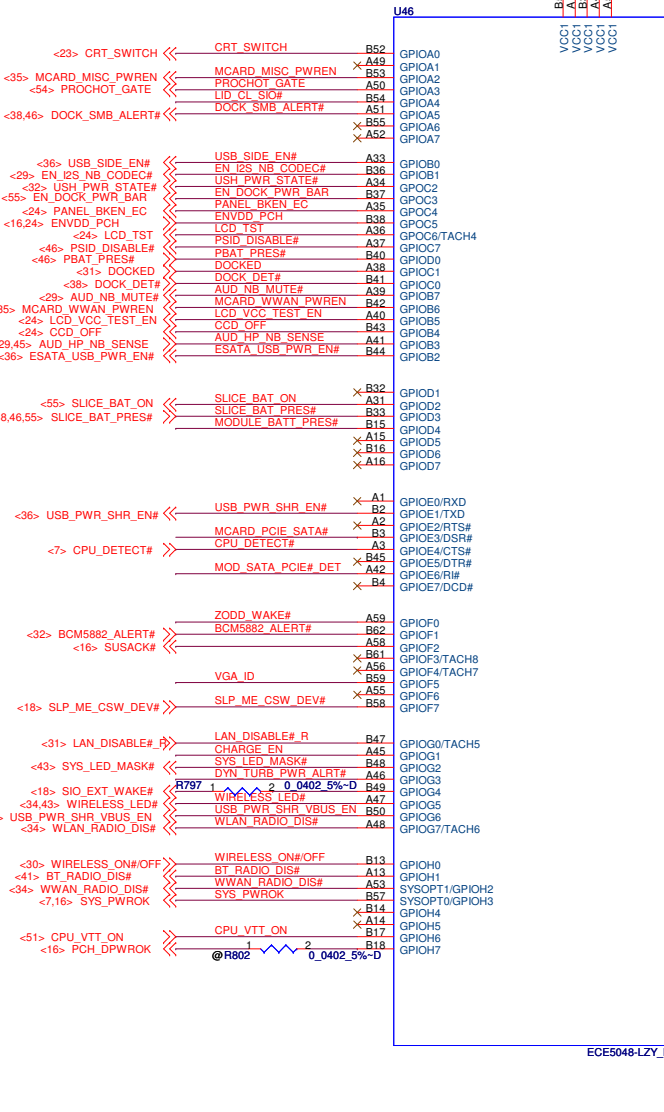
Close to DOCK
Its for Enhance ESD on dock issue.

PROPRIETARY NOTE: THIS SHEET OF ENGINEERING DRAWING AND SPECIFICATIONS CONTAINS CONFIDENTIAL TRADE SECRET AND OTHER PROPRIETARY INFORMATION OF DELL INC. ("DELL") THIS DOCUMENT MAY NOT BE TRANSFERRED OR COPIED WITHOUT THE EXPRESS WRITTEN AUTHORIZATION OF DELL. IN ADDITION, NEITHER THIS SHEET NOR THE INFORMATION IT CONTAINS MAY BE USED BY OR DISCLOSED TO ANY THIRD PARTY WITHOUT DELL'S EXPRESS WRITTEN CONSENT.

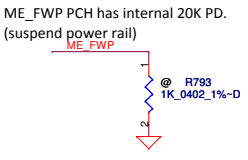
Compal Electronics, Inc.			
DOCKING CONN			
LA-7731P			
Size	Document Number	Rev 0.3	
Date:	Thursday, September 01, 2011	Sheet	38 of 59



D12" does not support E-Module, ECE5048(U46) pin B7,A15,B15,A16,B32,A42,A49 not used, but do not assign GPIO for these pins.



	VGA_ID0
Discrete	0
UMA	1

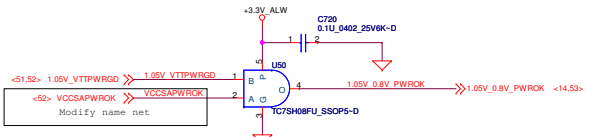


PROPRIETARY NOTE: THIS SHEET OF ENGINEERING DRAWING AND SPECIFICATIONS CONTAINS CONFIDENTIAL TRADE SECRET AND OTHER PROPRIETARY INFORMATION OF DELL INC. ("DELL"). THIS DOCUMENT MAY NOT BE TRANSMITTED OR COPIED WITHOUT THE EXPRESS WRITTEN AUTHORIZATION OF DELL. IN ADDITION, NEITHER THIS SHEET NOR THE INFORMATION IT CONTAINS MAY BE USED BY OR DISCLOSED TO ANY THIRD PARTY WITHOUT DELL'S EXPRESS WRITTEN CONSENT.



DELL CONFIDENTIAL/PROPRIETARY

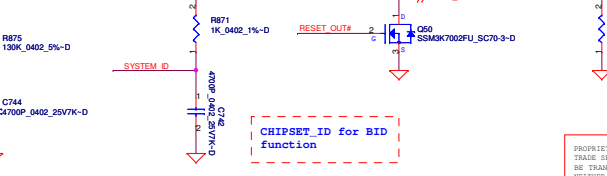
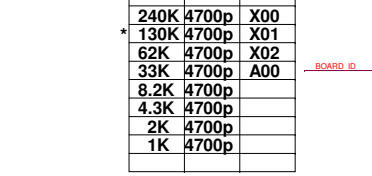
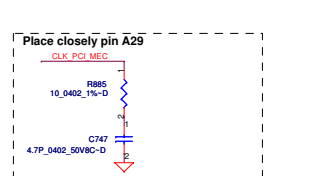
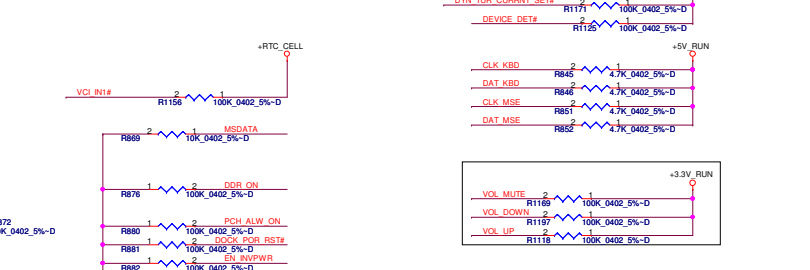
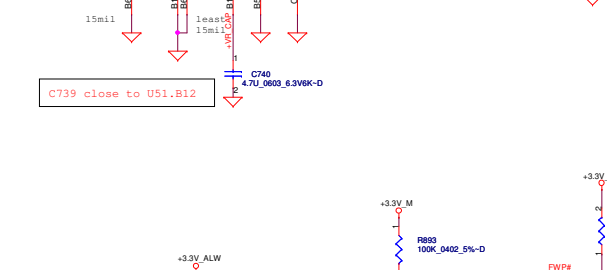
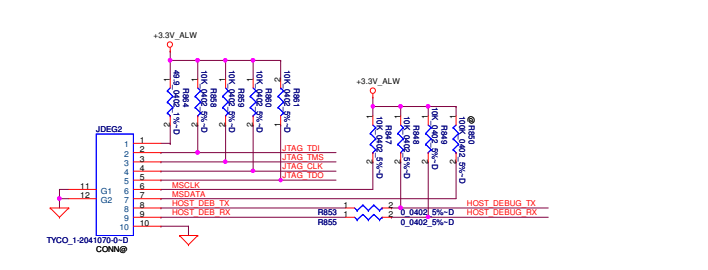
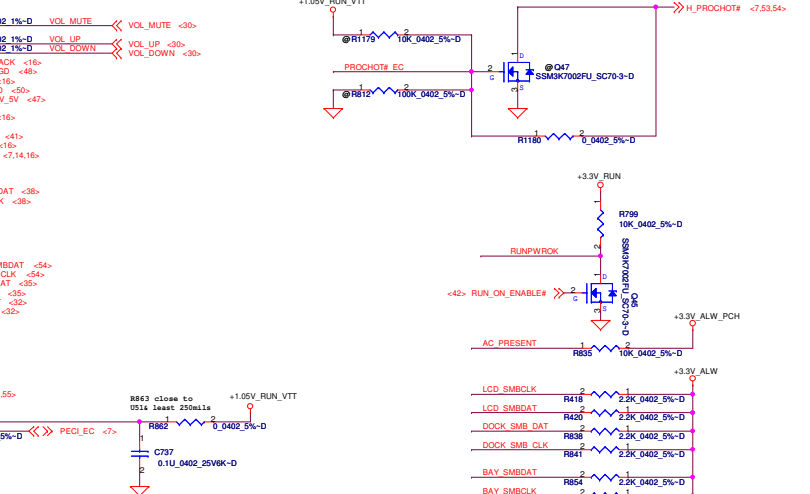
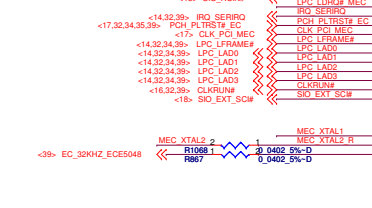
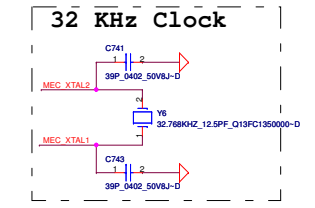
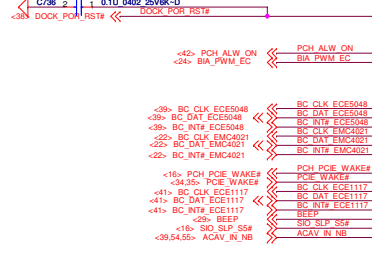
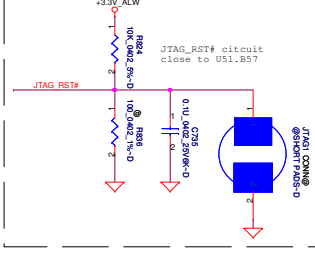
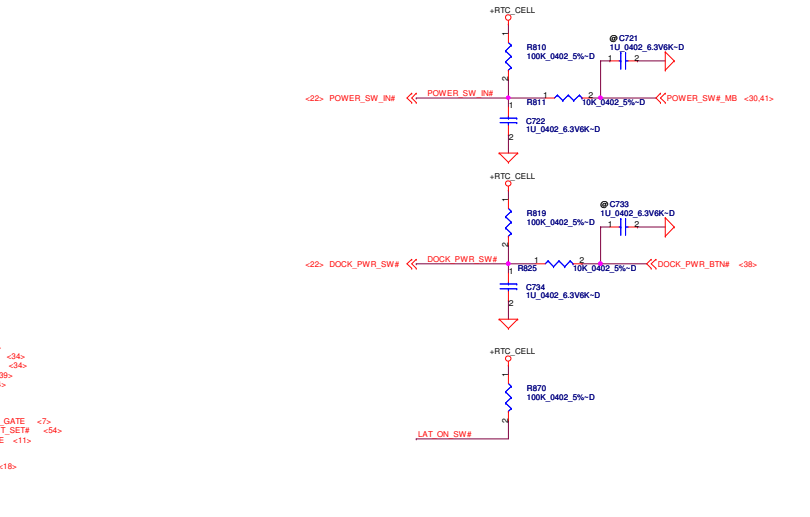
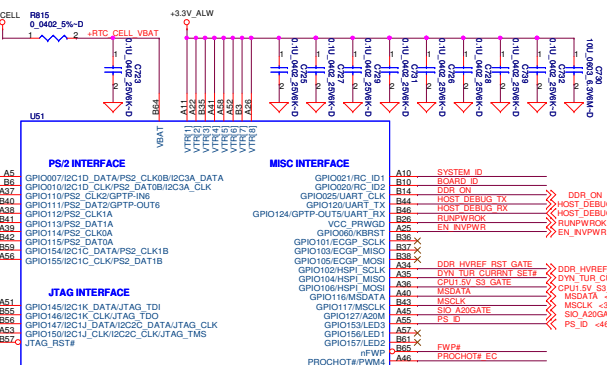
Compal Electronics, Inc.		
Title ECE5048		
Size	Document Number LA-7731P	Rev 0.3
Date:	Thursday, September 01, 2011	Sheet 39 of 59



D12" does not support E-Module, MEC5055 (U51) pin A17,B36 not used, but do not assign GPIO for these pins.



EC firmware can configure these un-used SMBUS pins as GPIO (Output), then it's OK to leave these un-used pins No-Connect.



R875	C744	REV
240K	4700p	X00
130K	4700p	X01
62K	4700p	X02
33K	4700p	A00
8.2K	4700p	
4.3K	4700p	
2K	4700p	
1K	4700p	

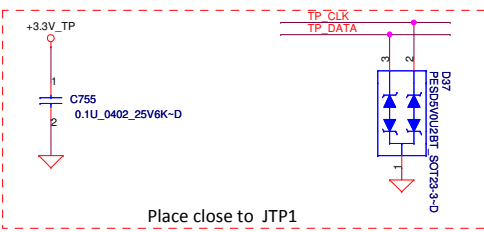
BOARD_ID rise time is measured from 5%~68%.

CHIPSET_ID for BID function

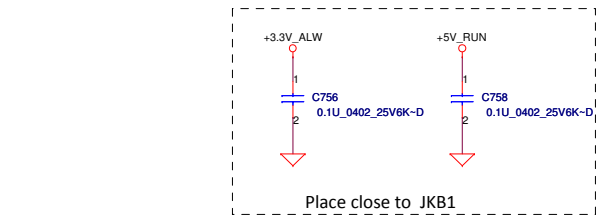
PROPRIETARY NOTE: THIS SHEET OF ENGINEERING DRAWING AND SPECIFICATIONS CONTAINS CONFIDENTIAL TRADE SECRET AND OTHER PROPRIETARY INFORMATION OF DELL INC. ("DELL"). THIS DOCUMENT MAY NOT BE TRANSFERRED OR COPIED WITHOUT THE EXPRESS WRITTEN AUTHORIZATION OF DELL. IN ADDITION, NEITHER THIS SHEET NOR THE INFORMATION IT CONTAINS MAY BE USED BY OR DISCLOSED TO ANY THIRD PARTY WITHOUT DELL'S EXPRESS WRITTEN CONSENT.

DELL CONFIDENTIAL/PROPRIETARY

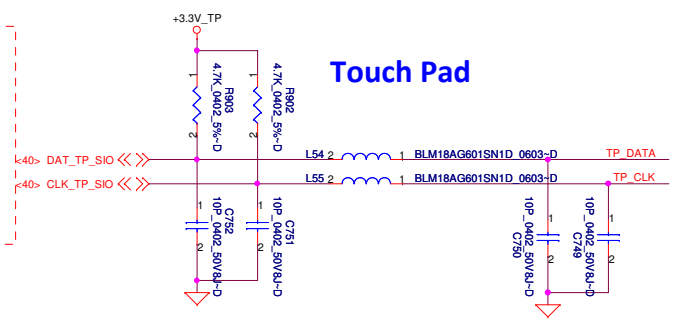
Compal Electronics, Inc.
MEC5055
 LA-7731P
 Date: Thursday, September 01, 2011 Sheet 40 of 59



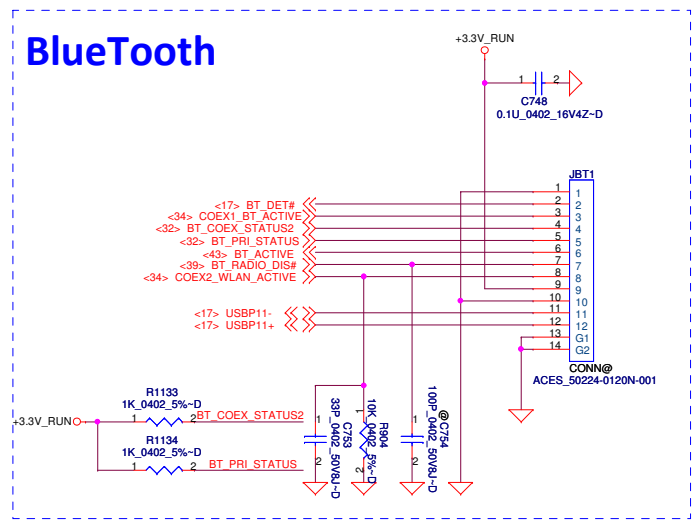
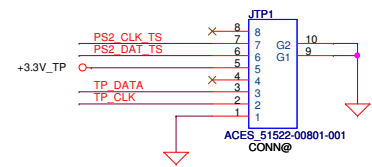
D37 ESD ask to change to SOT23-3



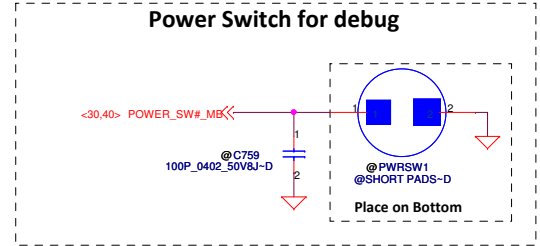
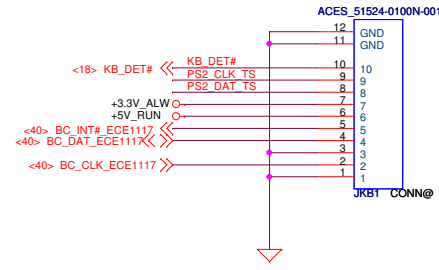
Place close to JKB1



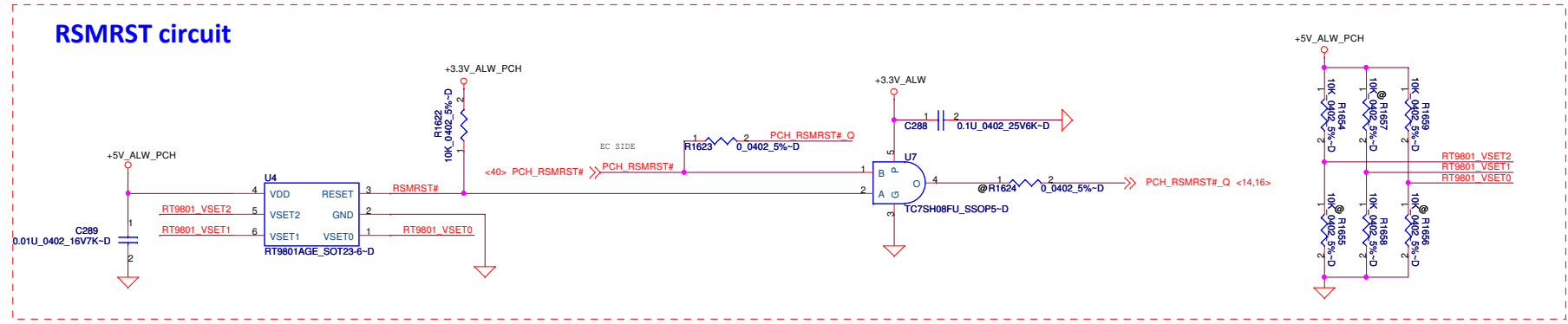
Touch Pad



BlueTooth



Power Switch for debug



RSMRST circuit

PROPRIETARY NOTE: THIS SHEET OF ENGINEERING DRAWING AND SPECIFICATIONS CONTAINS CONFIDENTIAL TRADE SECRET AND OTHER PROPRIETARY INFORMATION OF DELL INC. ("DELL"). THIS DOCUMENT MAY NOT BE TRANSFERRED OR COPIED WITHOUT THE EXPRESS WRITTEN AUTHORIZATION OF DELL. IN ADDITION, NEITHER THIS SHEET NOR THE INFORMATION IT CONTAINS MAY BE USED BY OR DISCLOSED TO ANY THIRD PARTY WITHOUT DELL'S EXPRESS WRITTEN CONSENT.

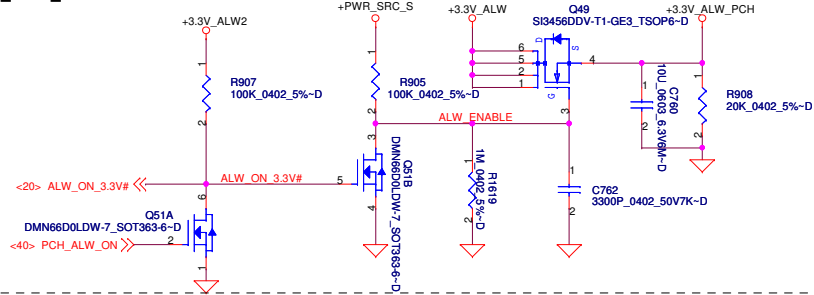


DELL CONFIDENTIAL/PROPRIETARY

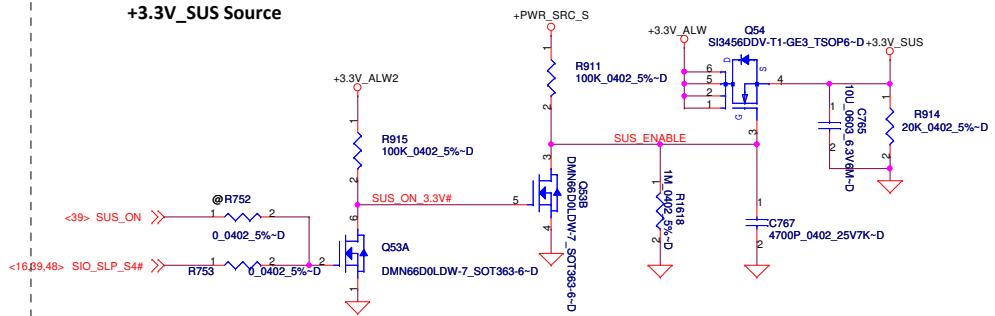
Compal Electronics, Inc.

Title			
Touch PAD/Int KB/BT			
Size	Document Number	Rev	
	LA-7731P	0.3	
Date:	Thursday, September 01, 2011	Sheet	41 of 59

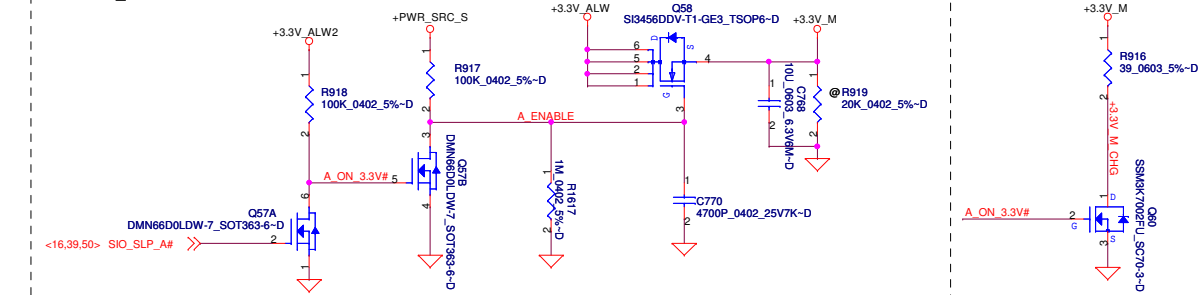
+3.3V_ALW_PCH Source



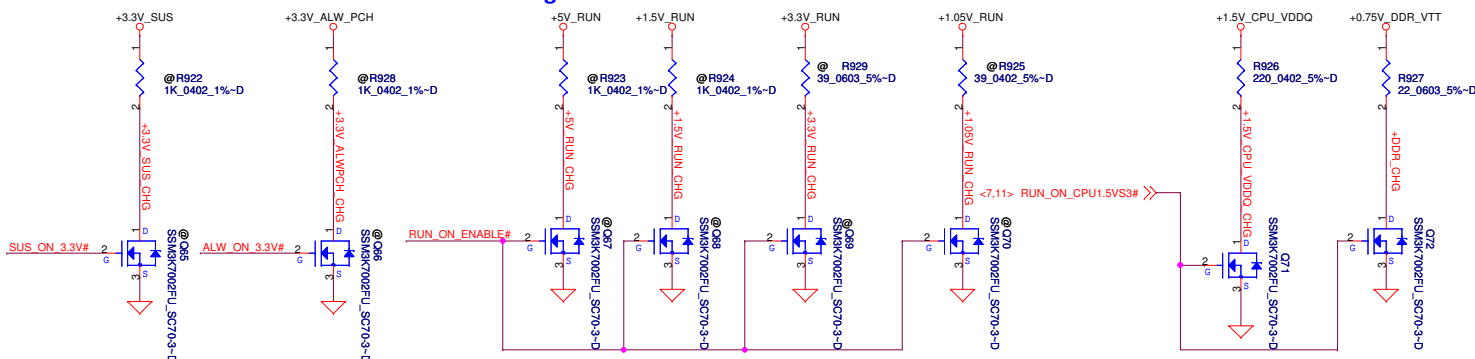
+3.3V_SUS Source



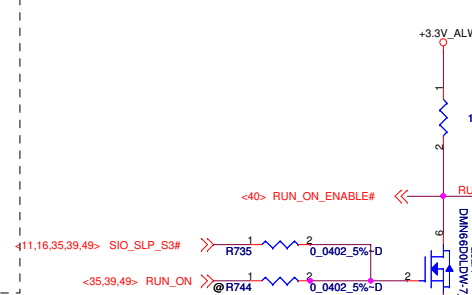
+3.3V_M Source



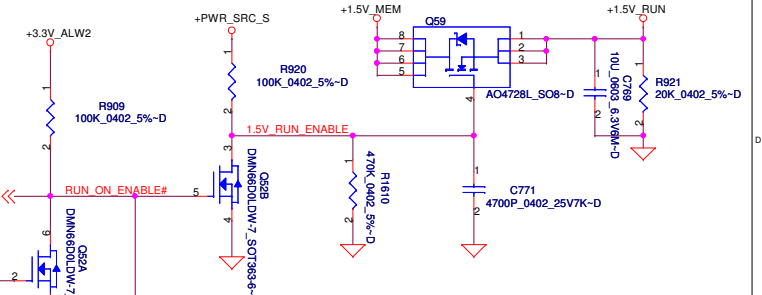
Discharg Circuit



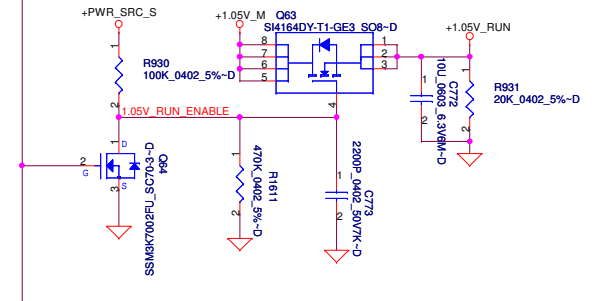
DC/DC Interface



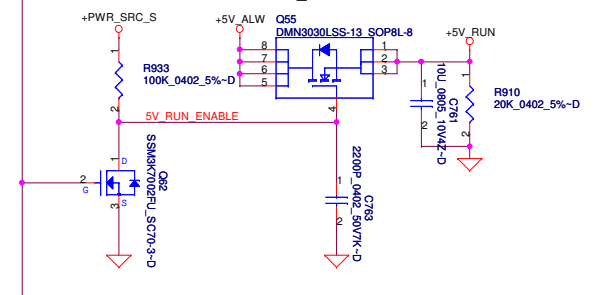
+1.5V_RUN Source



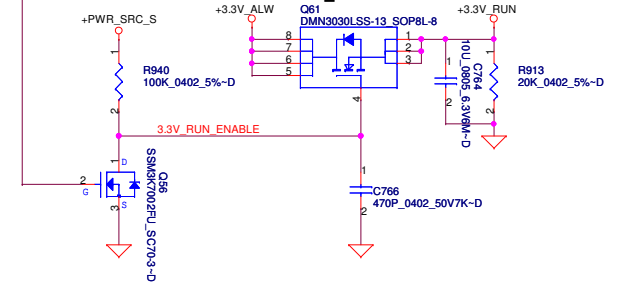
+1.05V_RUN Source



+5V_RUN Source



+3.3V_RUN Source

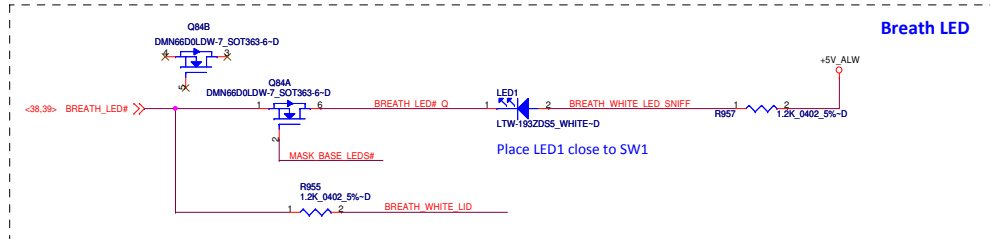
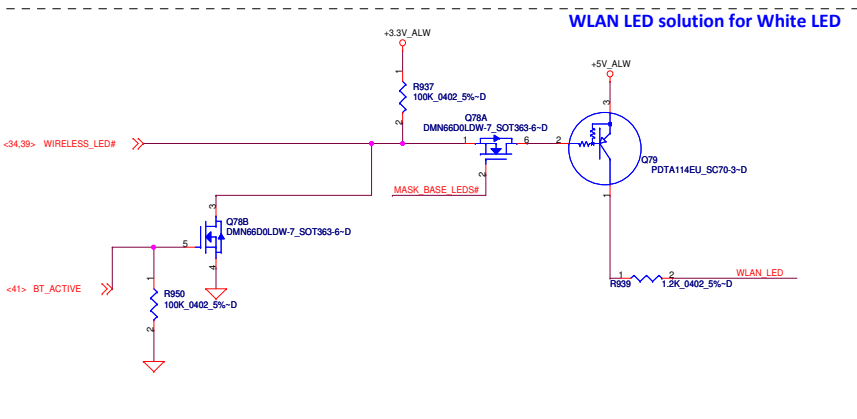
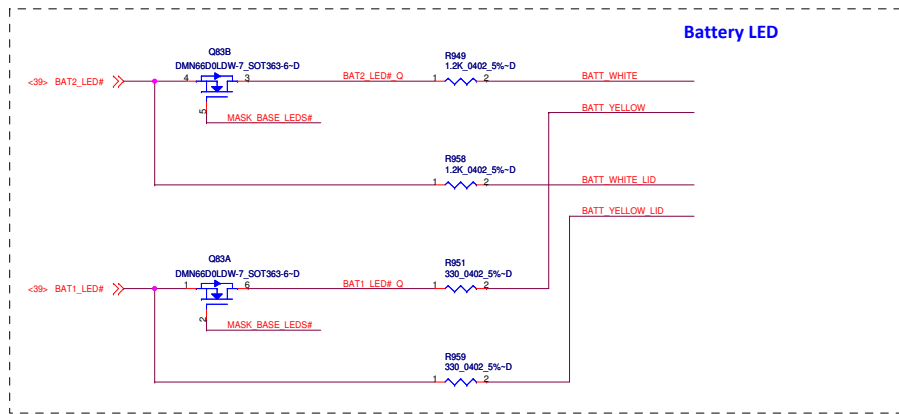
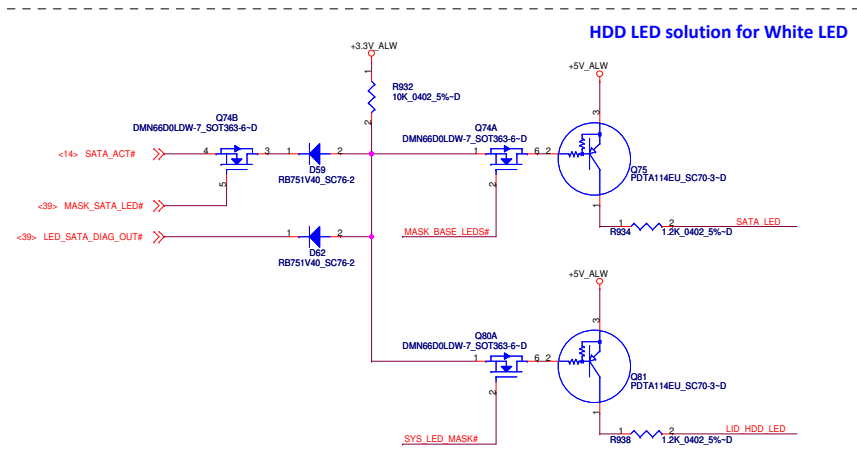


DELL CONFIDENTIAL/PROPRIETARY

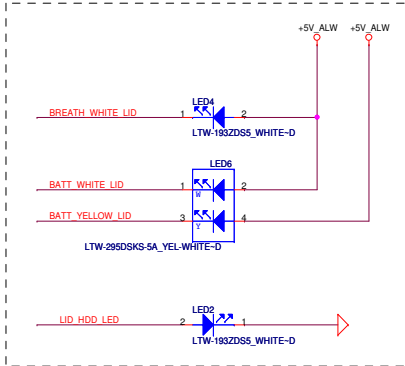
Compal Electronics, Inc.

Title		
POWER CONTROL		
Size	Document Number	Rev
	LA-7731P	0.3
Date:	Thursday, September 01, 2011	Sheet 42 of 59

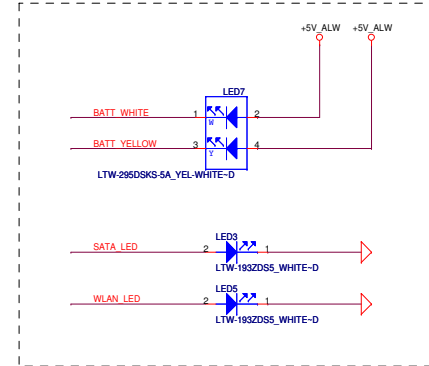
PROPRIETARY NOTE: THIS SHEET OF ENGINEERING DRAWING AND SPECIFICATIONS CONTAINS CONFIDENTIAL TRADE SECRET AND OTHER PROPRIETARY INFORMATION OF DELL INC. ("DELL"). THIS DOCUMENT MAY NOT BE TRANSFERRED OR COPIED WITHOUT THE EXPRESS WRITTEN AUTHORIZATION OF DELL. IN ADDITION, NEITHER THIS SHEET NOR THE INFORMATION IT CONTAINS MAY BE USED BY OR DISCLOSED TO ANY THIRD PARTY WITHOUT DELL'S EXPRESS WRITTEN CONSENT.



Status LED when LID Close

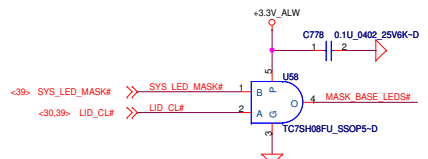
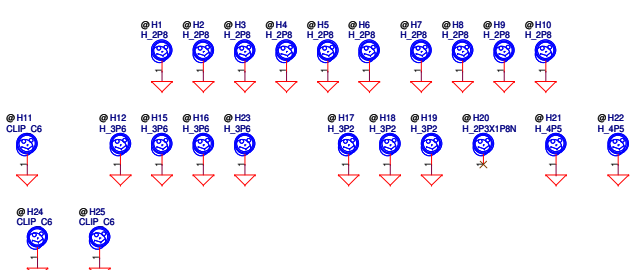


Status LED when LID Open



	SYS_LED_MASK#	LID_CL#
Mask All LEDs (Sniffer Function)	0	X
Mask Base MB LEDs (Lid Closed)	1	0
Do not Mask LEDs (Lid Opened)	1	1

- Fiducial Mark**
- ⊙ FD1 FIDUCIAL MARK-D
 - ⊙ FD2 FIDUCIAL MARK-D
 - ⊙ FD3 FIDUCIAL MARK-D
 - ⊙ FD4 FIDUCIAL MARK-D



PROPRIETARY NOTE: THIS SHEET OF ENGINEERING DRAWING AND SPECIFICATIONS CONTAINS CONFIDENTIAL TRADE SECRET AND OTHER PROPRIETARY INFORMATION OF DELL INC. ("DELL") THIS DOCUMENT MAY NOT BE TRANSFERRED OR COPIED WITHOUT THE EXPRESS WRITTEN AUTHORIZATION OF DELL. IN ADDITION, NEITHER THIS SHEET NOR THE INFORMATION IT CONTAINS MAY BE USED BY OR DISCLOSED TO ANY THIRD PARTY WITHOUT DELL'S EXPRESS WRITTEN CONSENT.

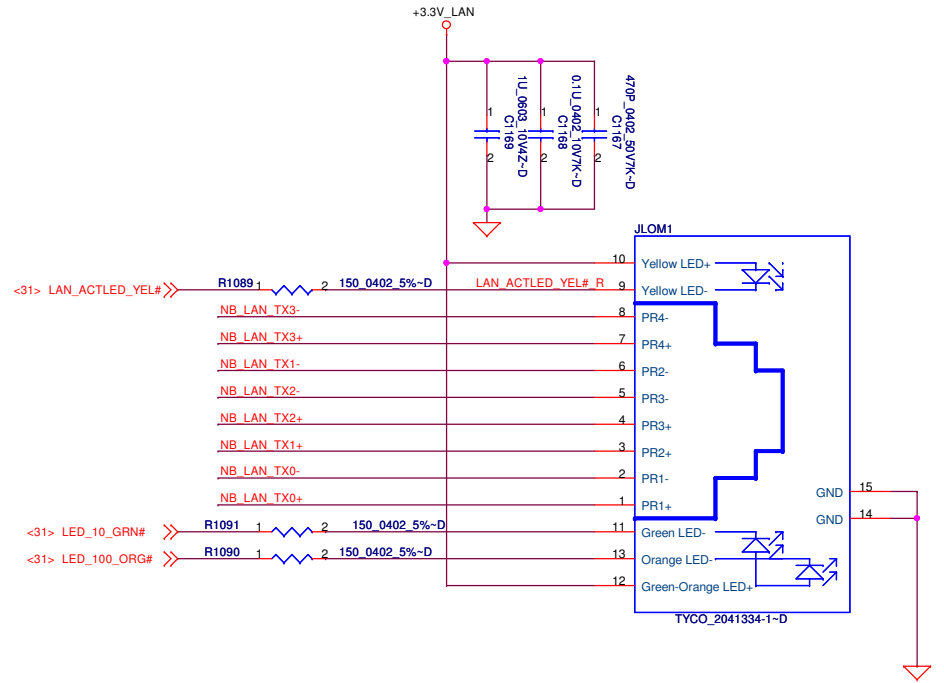
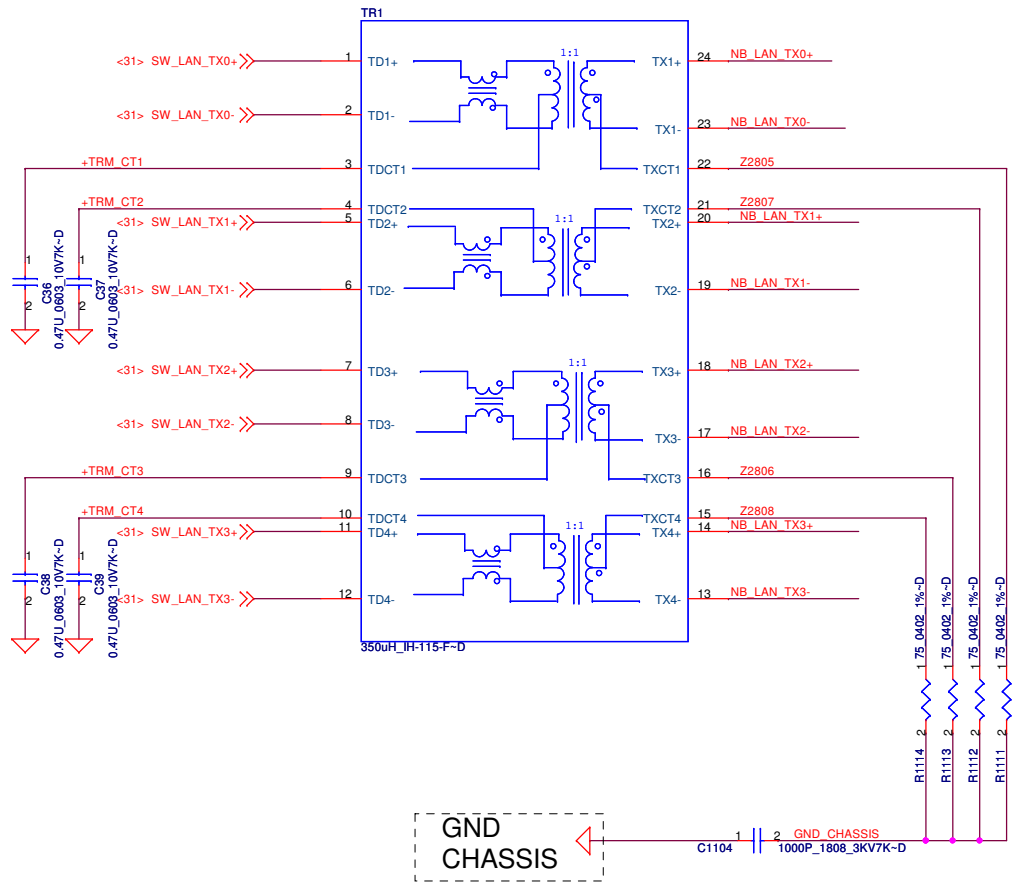
DELL CONFIDENTIAL/PROPRIETARY

Compal Electronics, Inc.

PAD and Standoff

LA-7731P

Thursday, September 01, 2011 Sheet 43 of 59



THIS SHEET OF ENGINEERING DRAWING IS THE PROPRIETARY PROPERTY OF COMPAL ELECTRONICS, INC. AND CONTAINS CONFIDENTIAL AND TRADE SECRET INFORMATION. THIS SHEET MAY NOT BE TRANSFERRED FROM THE CUSTODY OF THE COMPETENT DIVISION OF R&D DEPARTMENT EXCEPT AS AUTHORIZED BY COMPAL ELECTRONICS, INC. NEITHER THIS SHEET NOR THE INFORMATION IT CONTAINS MAY BE USED BY OR DISCLOSED TO ANY THIRD PARTY WITHOUT PRIOR WRITTEN CONSENT OF COMPAL ELECTRONICS, INC.

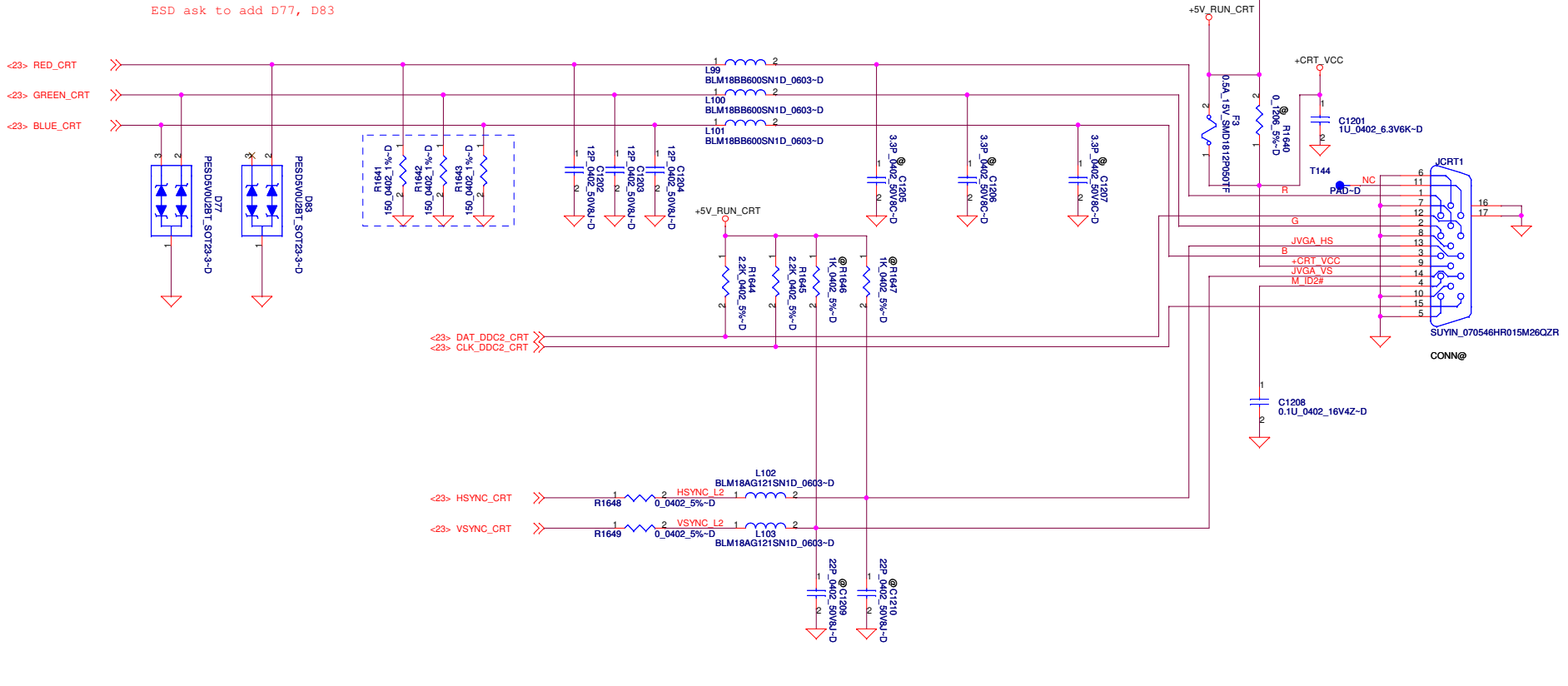
DELL CONFIDENTIAL/PROPRIETARY

Compal Electronics, Inc.

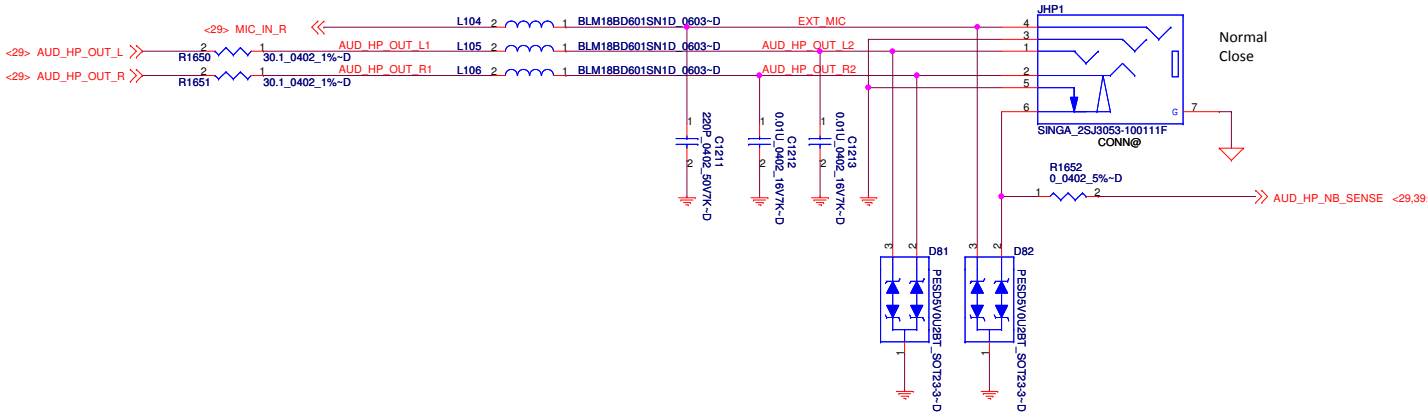
Title: **RJ45**

Size: Document Number **LA-7731P** Rev: 0.3

Date: Thursday, September 01, 2011 Sheet 44 of 59

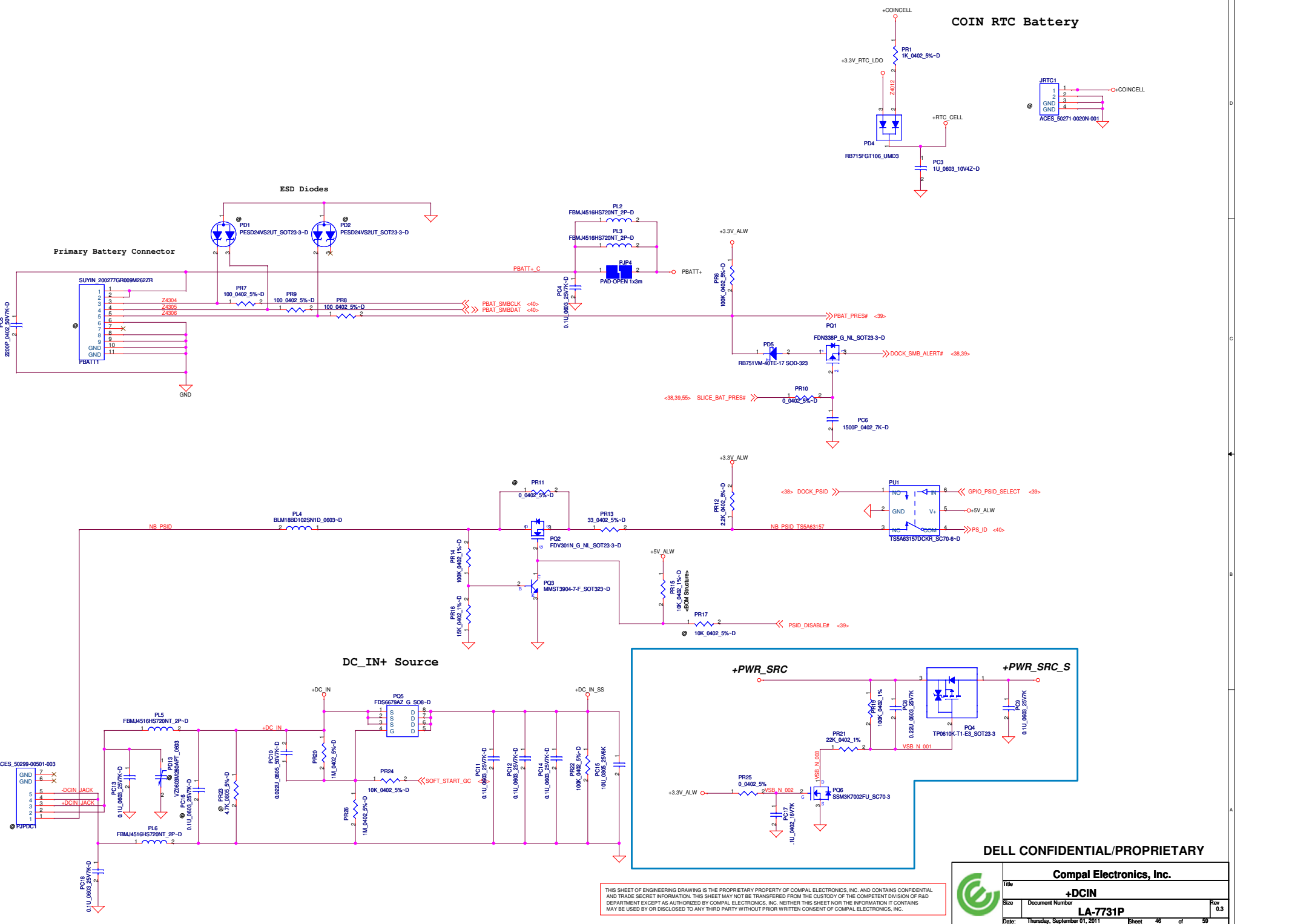


Combo Jack

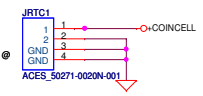


DELL CONFIDENTIAL/PROPRIETARY

			Compal Electronics, Inc. CRT & Combo Jack	
			LA-7731P	Rev 0.3
Date: Friday, September 02, 2011	Sheet 45	of 59		



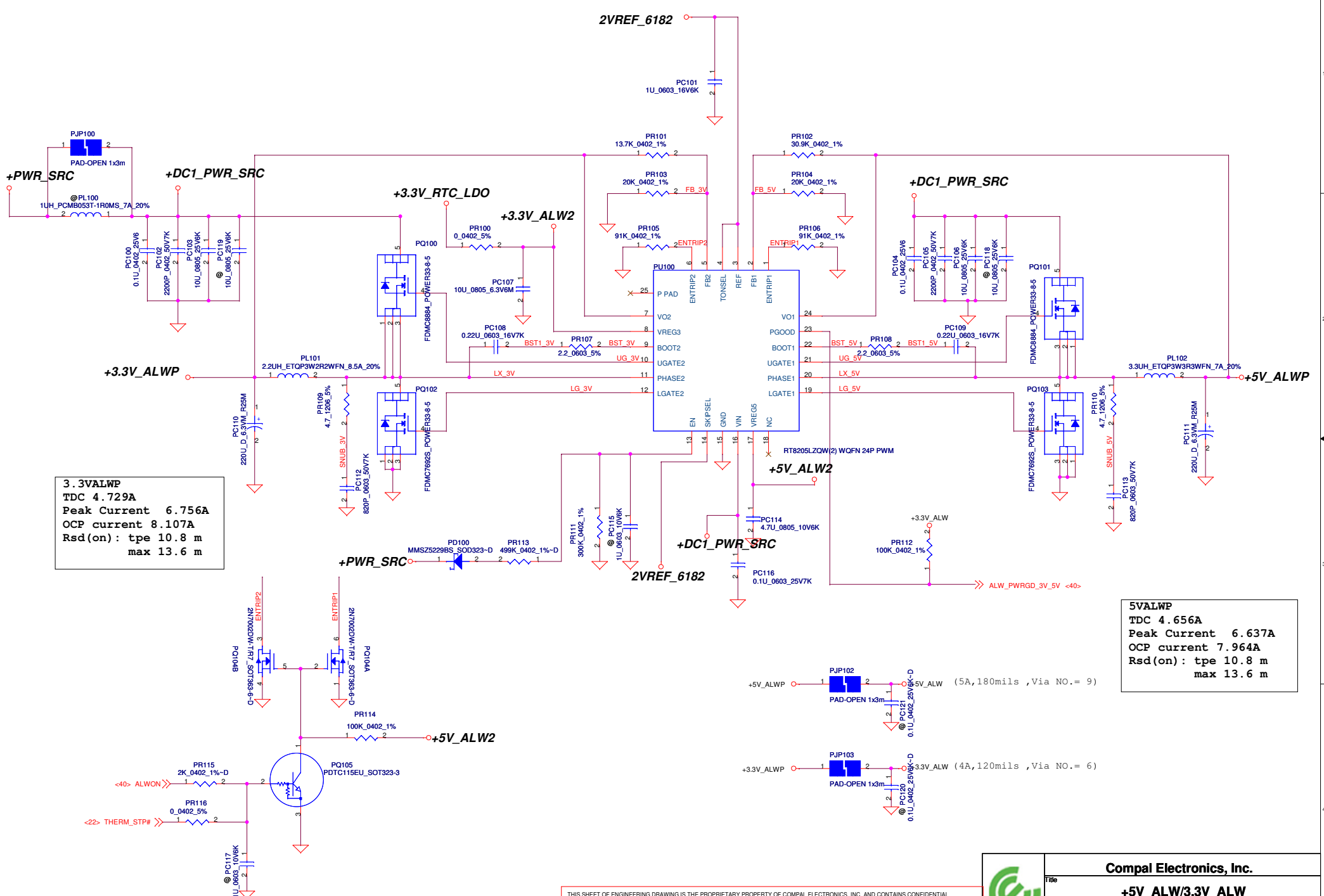
COIN RTC Battery



DELL CONFIDENTIAL/PROPRIETARY

		Compal Electronics, Inc.	
		+DCIN	
Size	Document Number	LA-7731P	Rev 0.3
Date:	Thursday, September 01, 2011	Sheet 46	of 59

THIS SHEET OF ENGINEERING DRAWING IS THE PROPRIETARY PROPERTY OF COMPAL ELECTRONICS, INC. AND CONTAINS CONFIDENTIAL AND TRADE SECRET INFORMATION. THIS SHEET MAY NOT BE TRANSFERRED FROM THE CUSTODY OF THE COMPETENT DIVISION OF R&D DEPARTMENT EXCEPT AS AUTHORIZED BY COMPAL ELECTRONICS, INC. NEITHER THIS SHEET NOR THE INFORMATION IT CONTAINS MAY BE USED BY OR DISCLOSED TO ANY THIRD PARTY WITHOUT PRIOR WRITTEN CONSENT OF COMPAL ELECTRONICS, INC.



3.3VALWP
 TDC 4.729A
 Peak Current 6.756A
 OCP current 8.107A
 Rsd(on): tpe 10.8 m
 max 13.6 m

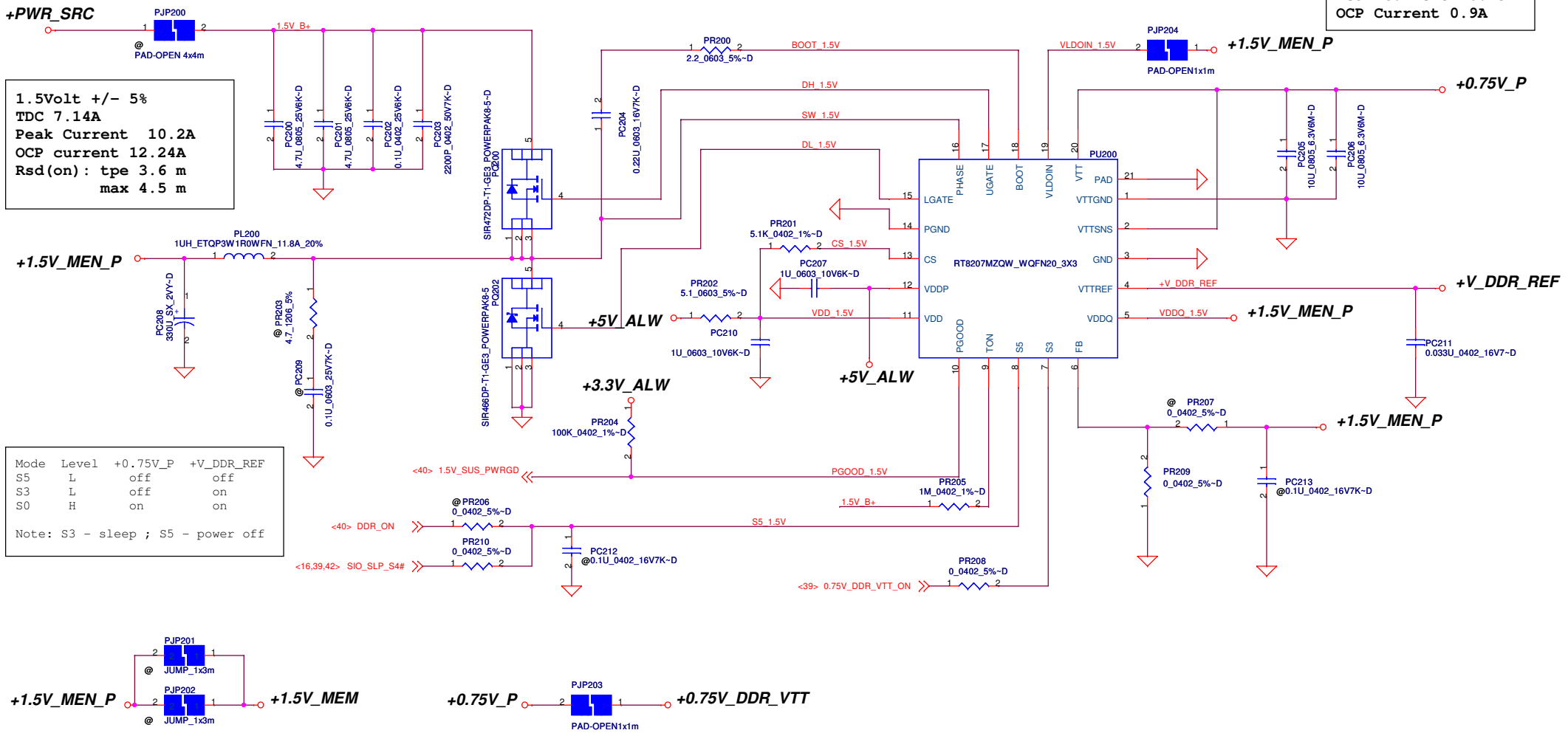
5VALWP
 TDC 4.656A
 Peak Current 6.637A
 OCP current 7.964A
 Rsd(on): tpe 10.8 m
 max 13.6 m

THIS SHEET OF ENGINEERING DRAWING IS THE PROPRIETARY PROPERTY OF COMPAL ELECTRONICS, INC. AND CONTAINS CONFIDENTIAL AND TRADE SECRET INFORMATION. THIS SHEET MAY NOT BE TRANSFERRED FROM THE CUSTODY OF THE COMPETENT DIVISION OF R&D DEPARTMENT EXCEPT AS AUTHORIZED BY COMPAL ELECTRONICS, INC. NEITHER THIS SHEET NOR THE INFORMATION IT CONTAINS MAY BE USED BY OR DISCLOSED TO ANY THIRD PARTY WITHOUT PRIOR WRITTEN CONSENT OF COMPAL ELECTRONICS, INC.



Compal Electronics, Inc.			
+5V_ALW/3.3V_ALW			
Title	LA-7731P		
Size	Document Number	Rev	0.3
Date:	Thursday, September 01, 2011	Sheet	47 of 59

0.75Volt +/- 5%
 TDC 0.525A
 Peak Current 0.75A
 OCP Current 0.9A




1.5Volt +/- 5%
 TDC 7.14A
 Peak Current 10.2A
 OCP current 12.24A
 Rsd(on) : tpe 3.6 m
 max 4.5 m

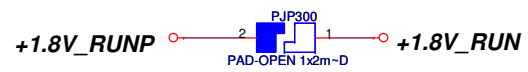
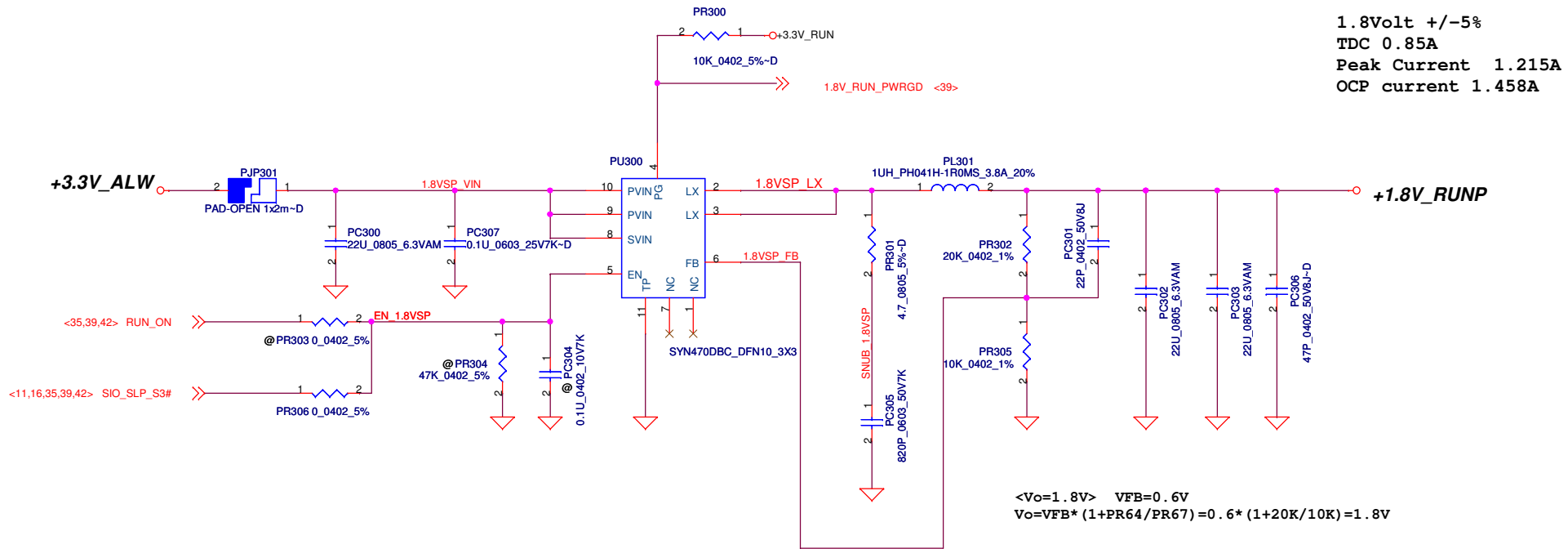
Mode	Level	+0.75V_P	+V_DDR_REF
S5	L	off	off
S3	L	off	on
S0	H	on	on

Note: S3 - sleep ; S5 - power off

THIS SHEET OF ENGINEERING DRAWING IS THE PROPRIETARY PROPERTY OF COMPAL ELECTRONICS, INC. AND CONTAINS CONFIDENTIAL AND TRADE SECRET INFORMATION. THIS SHEET MAY NOT BE TRANSFERRED FROM THE CUSTODY OF THE COMPETENT DIVISION OF R&D DEPARTMENT EXCEPT AS AUTHORIZED BY COMPAL ELECTRONICS, INC. NEITHER THIS SHEET NOR THE INFORMATION IT CONTAINS MAY BE USED BY OR DISCLOSED TO ANY THIRD PARTY WITHOUT PRIOR WRITTEN CONSENT OF COMPAL ELECTRONICS, INC.


DELL CONFIDENTIAL/PROPRIETARY

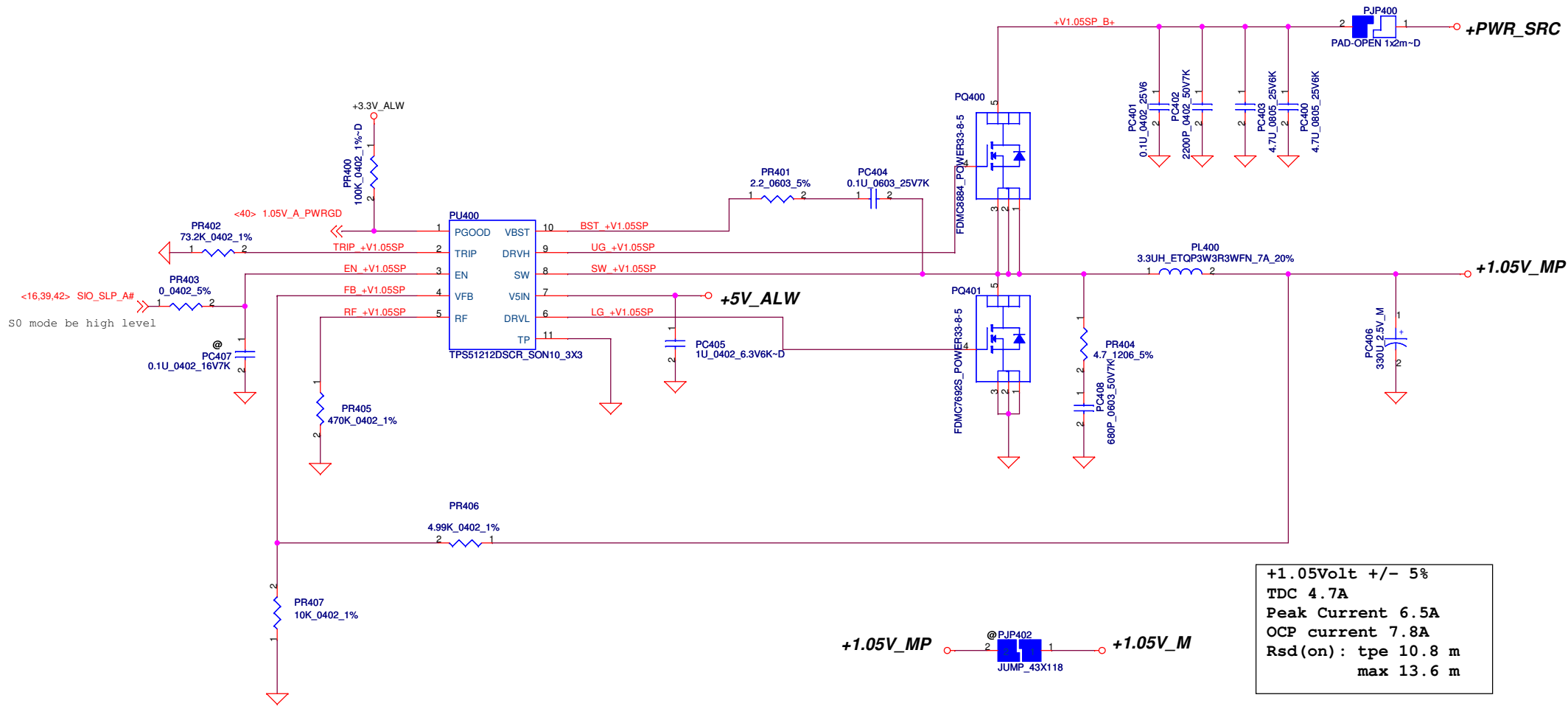
			Compal Electronics, Inc.	
			+1.5V_MEN/+0.75V_DDR_VTT	
Title	LA-7731P			Rev 0.3
Size	Document Number			Date
Thursday, September 01, 2011		Sheet 48 of 59		



THIS SHEET OF ENGINEERING DRAWING IS THE PROPRIETARY PROPERTY OF COMPAL ELECTRONICS, INC. AND CONTAINS CONFIDENTIAL AND TRADE SECRET INFORMATION. THIS SHEET MAY NOT BE TRANSFERRED FROM THE CUSTODY OF THE COMPETENT DIVISION OF R&D DEPARTMENT EXCEPT AS AUTHORIZED BY COMPAL ELECTRONICS, INC. NEITHER THIS SHEET NOR THE INFORMATION IT CONTAINS MAY BE USED BY OR DISCLOSED TO ANY THIRD PARTY WITHOUT PRIOR WRITTEN CONSENT OF COMPAL ELECTRONICS, INC.

DELL CONFIDENTIAL/PROPRIETARY


			Compal Electronics, Inc.	
			+1.8V_RUN	
Size	Document Number			Rev
	LA-7731P			0.3
Date:	Thursday, September 01, 2011	Sheet	49	of 59

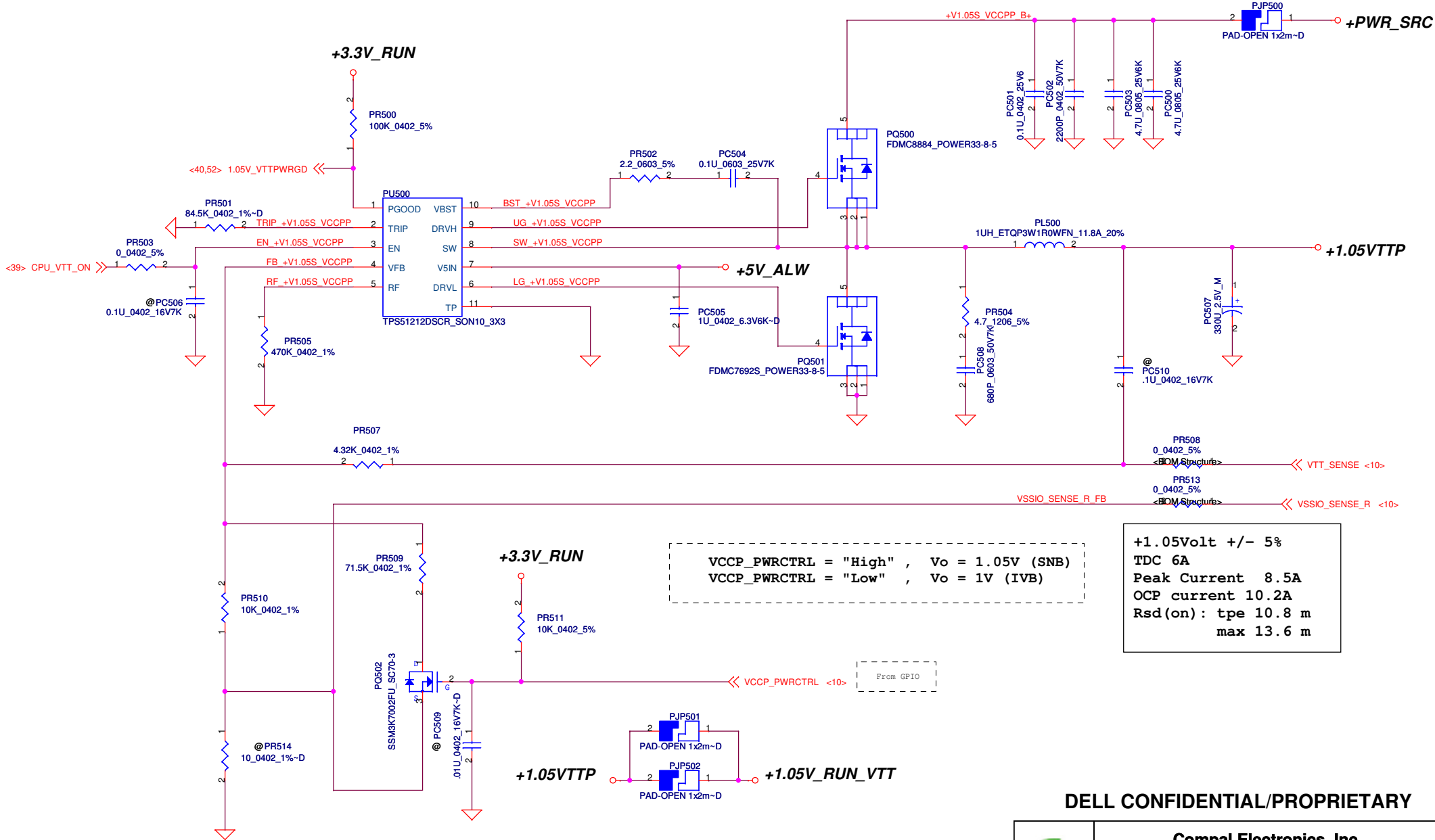


+1.05Volt +/- 5%
 TDC 4.7A
 Peak Current 6.5A
 OCP current 7.8A
 Rsd(on): tpe 10.8 m
 max 13.6 m

THIS SHEET OF ENGINEERING DRAWING IS THE PROPRIETARY PROPERTY OF COMPAL ELECTRONICS, INC. AND CONTAINS CONFIDENTIAL AND TRADE SECRET INFORMATION. THIS SHEET MAY NOT BE TRANSFERRED FROM THE CUSTODY OF THE COMPETENT DIVISION OF R&D DEPARTMENT EXCEPT AS AUTHORIZED BY COMPAL ELECTRONICS, INC. NEITHER THIS SHEET NOR THE INFORMATION IT CONTAINS MAY BE USED BY OR DISCLOSED TO ANY THIRD PARTY WITHOUT PRIOR WRITTEN CONSENT OF COMPAL ELECTRONICS, INC.


DELL CONFIDENTIAL/PROPRIETARY

			Compal Electronics, Inc.	
			+1.05V_M	
Size	Document Number			Rev
	LA-7731P			0.3
Date:	Thursday, September 01, 2011	Sheet	50	of 59



THIS SHEET OF ENGINEERING DRAWING IS THE PROPRIETARY PROPERTY OF COMPAL ELECTRONICS, INC. AND CONTAINS CONFIDENTIAL AND TRADE SECRET INFORMATION. THIS SHEET MAY NOT BE TRANSFERRED FROM THE CUSTODY OF THE COMPETENT DIVISION OF R&D DEPARTMENT EXCEPT AS AUTHORIZED BY COMPAL ELECTRONICS, INC. NEITHER THIS SHEET NOR THE INFORMATION IT CONTAINS MAY BE USED BY OR DISCLOSED TO ANY THIRD PARTY WITHOUT PRIOR WRITTEN CONSENT OF COMPAL ELECTRONICS, INC.

DELL CONFIDENTIAL/PROPRIETARY

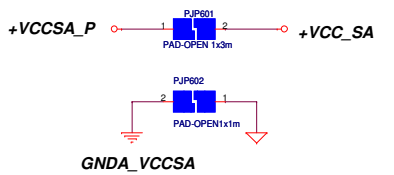
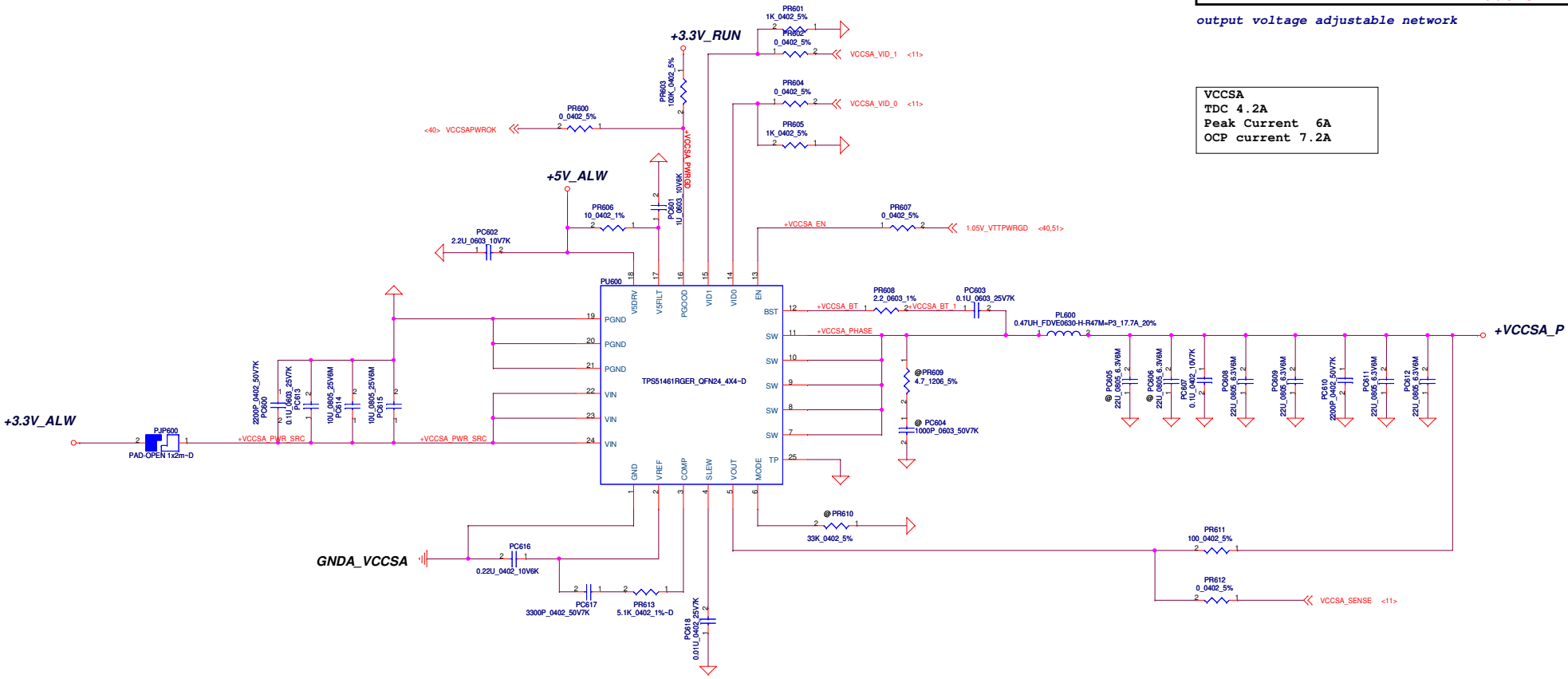
		Compal Electronics, Inc.	
		+1.05V_RUN_VTT	
Title	+1.05V_RUN_VTT		
Size	Document Number	LA-7731P	
Date:	Thursday, September 01, 2011	Sheet	51 of 59
			Rev 0.3

VID [0]	VID[1]	VCCSA Vout
0	0	0.9V
0	1	0.8V
1	0	0.725V
1	1	0.675V


The 1k PD on the VCCSA VIDs are empty.
These should be stuffed to ensure that
VCCSA VID is 00 prior to VCCIO stability.

output voltage adjustable network

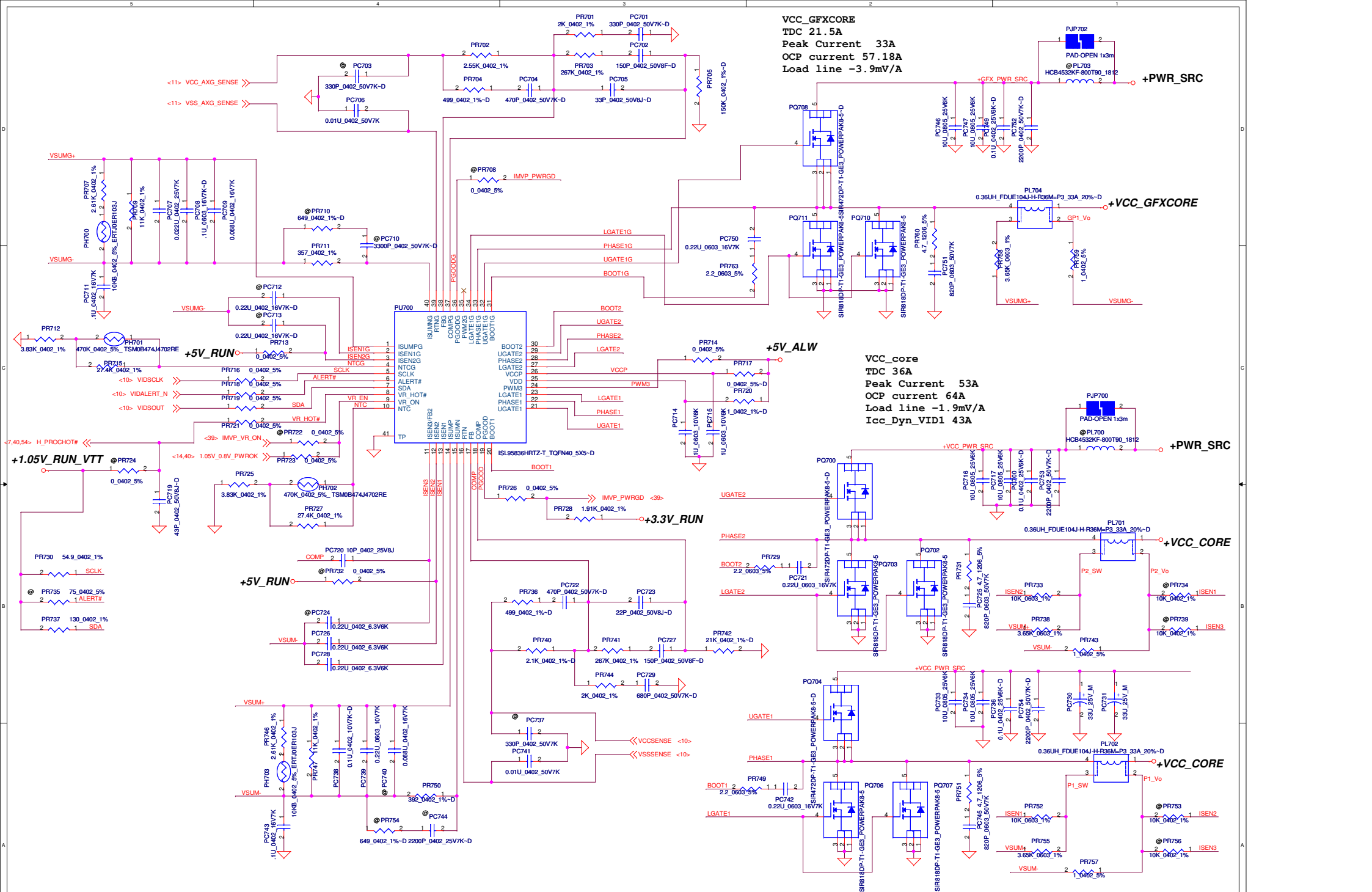
VCCSA
TDC 4.2A
Peak Current 6A
OCP current 7.2A



DELL CONFIDENTIAL/PROPRIETARY

		Compal Electronics, Inc.	
		+VCC SA	
Size	Document Number	LA-7731P	Rev
Date	Thursday, September 01, 2011	Sheet	52 of 59

THIS SHEET OF ENGINEERING DRAWING IS THE PROPRIETARY PROPERTY OF COMPAL ELECTRONICS, INC. AND CONTAINS CONFIDENTIAL AND TRADE SECRET INFORMATION. THIS SHEET MAY NOT BE TRANSFERRED FROM THE CUSTODY OF THE COMPETENT DIVISION OF R&D DEPARTMENT EXCEPT AS AUTHORIZED BY COMPAL ELECTRONICS, INC. NEITHER THIS SHEET NOR THE INFORMATION IT CONTAINS MAY BE USED BY OR DISCLOSED TO ANY THIRD PARTY WITHOUT PRIOR WRITTEN CONSENT OF COMPAL ELECTRONICS, INC.



DELL CONFIDENTIAL/PROPRIETARY

THIS SHEET OF ENGINEERING DRAWING IS THE PROPRIETARY PROPERTY OF COMPAL ELECTRONICS, INC. AND CONTAINS CONFIDENTIAL AND TRADE SECRET INFORMATION. THIS SHEET MAY NOT BE TRANSFERRED FROM THE CUSTODY OF THE COMPETENT DIVISION OF R&D DEPARTMENT EXCEPT AS AUTHORIZED BY COMPAL ELECTRONICS, INC. NEITHER THIS SHEET NOR THE INFORMATION IT CONTAINS MAY BE USED BY OR DISCLOSED TO ANY THIRD PARTY WITHOUT PRIOR WRITTEN CONSENT OF COMPAL ELECTRONICS, INC.



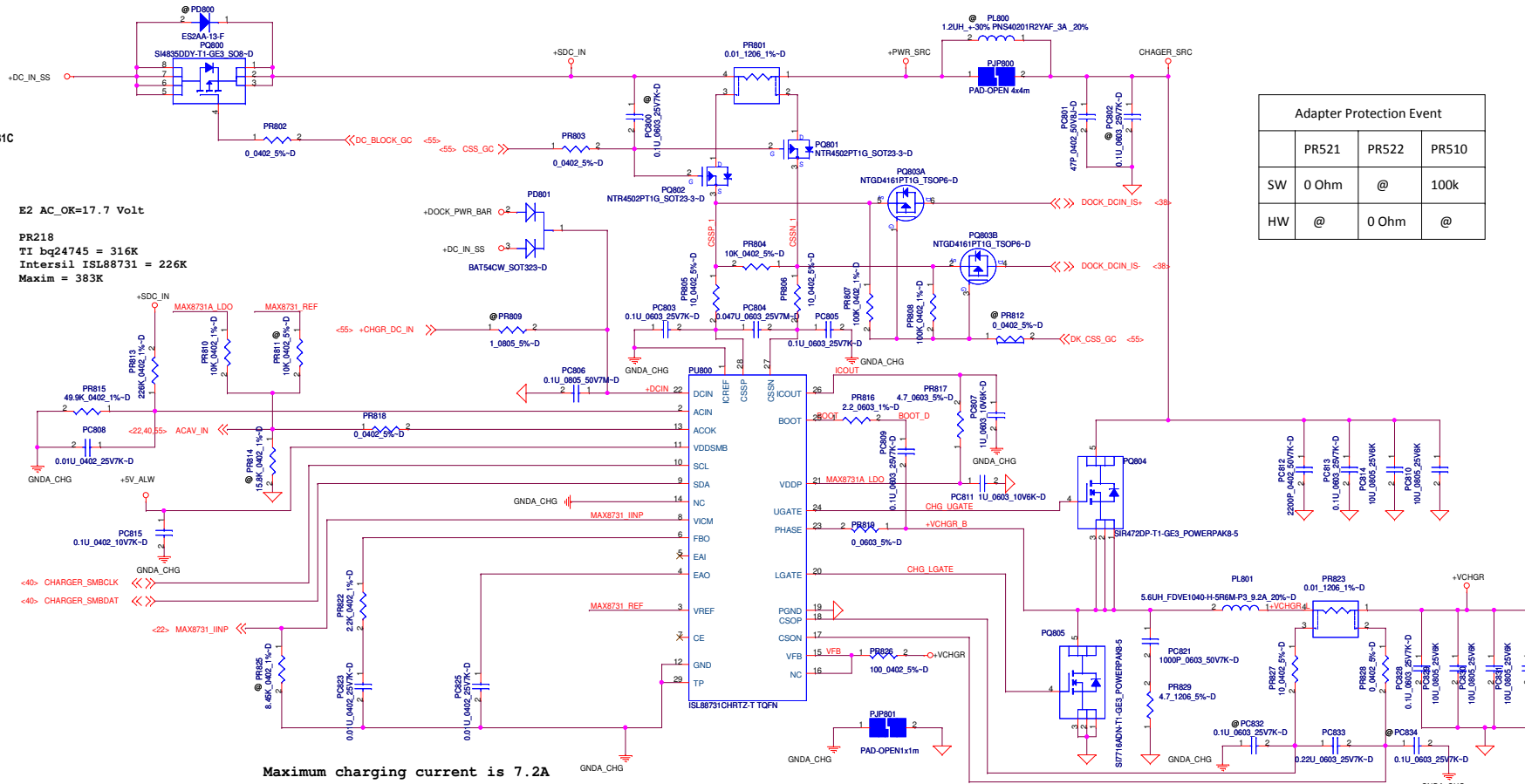
Compal Electronics, Inc.	
+VCC_CORE	
File	Document Number
Size	LA-7731P
Date	Thursday, September 01, 2011
Sheet	33 of 59
Rev	0.3

ISL88731C

E2 AC_OK=17.7 Volt

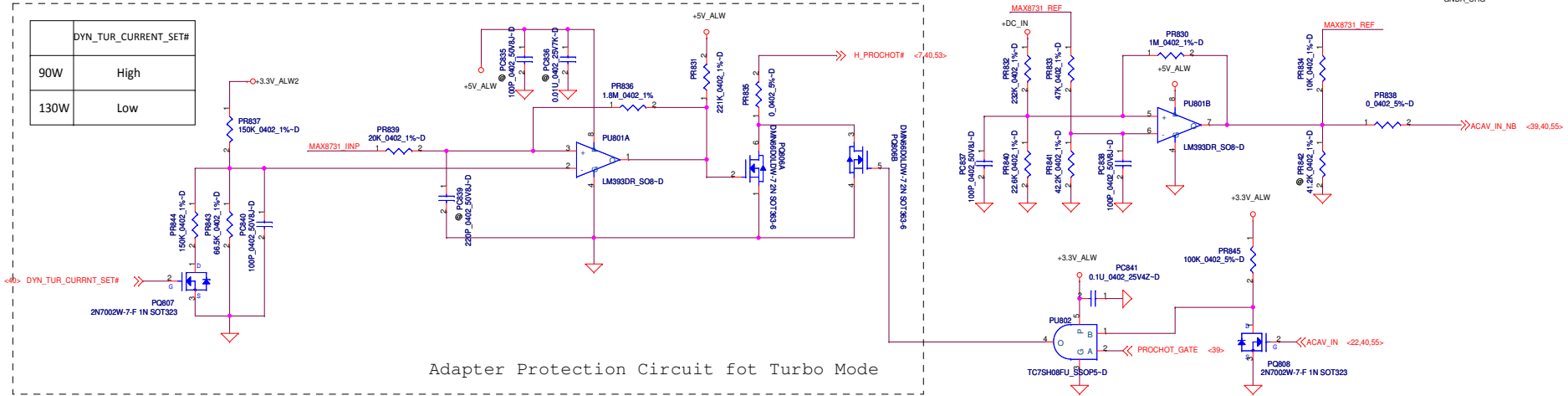
PR218
TI bq24745 = 316K
Intersil ISL88731 = 226K
Maxim = 383K

Adapter Protection Event			
	PR521	PR522	PR510
SW	0 Ohm	@	100k
HW	@	0 Ohm	@



Maximum charging current is 7.2A

DYN_TUR_CURRENT_SET#	
90W	High
130W	Low



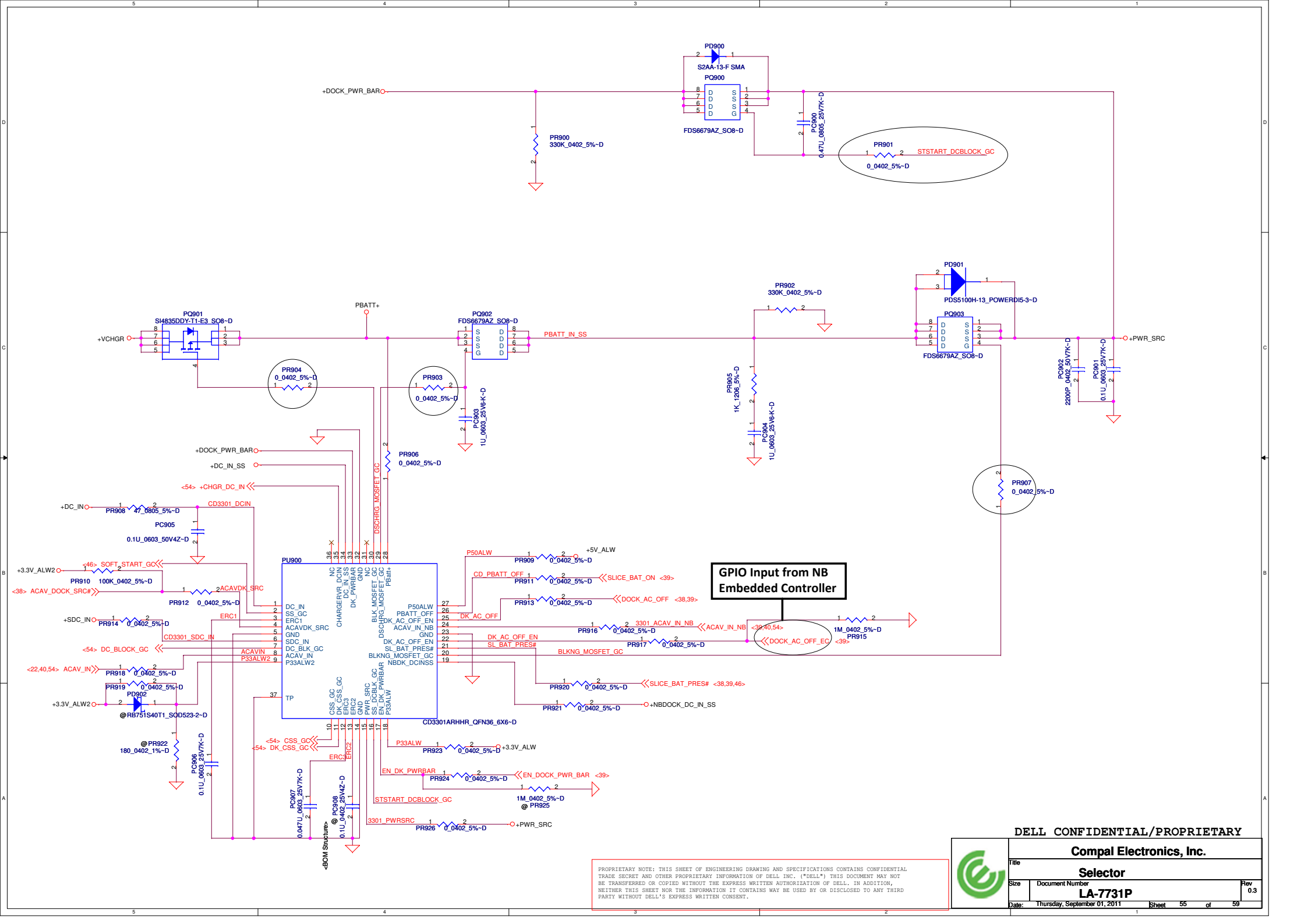
Adapter Protection Circuit for Turbo Mode

To preset system to throttle switching from AC to DC

DELL CONFIDENTIAL/PROPRIETARY

	Compal Electronics, Inc.	
	Charger	
File	Document Number	Rev
Size	LA-7731P	0.3
Date	Thursday, September 01, 2011	Sheet 54 of 59

THIS SHEET OF ENGINEERING DRAWING IS THE PROPRIETARY PROPERTY OF COMPAL ELECTRONICS, INC. AND CONTAINS CONFIDENTIAL AND TRADE SECRET INFORMATION. THIS SHEET MAY NOT BE TRANSFERRED FROM THE CUSTODY OF THE COMPETENT DIVISION OF R&D DEPARTMENT EXCEPT AS AUTHORIZED BY COMPAL ELECTRONICS, INC. NEITHER THIS SHEET NOR THE INFORMATION IT CONTAINS MAY BE USED BY OR DISCLOSED TO ANY THIRD PARTY WITHOUT PRIOR WRITTEN CONSENT OF COMPAL ELECTRONICS, INC.



PROPRIETARY NOTE: THIS SHEET OF ENGINEERING DRAWING AND SPECIFICATIONS CONTAINS CONFIDENTIAL TRADE SECRET AND OTHER PROPRIETARY INFORMATION OF DELL INC. ("DELL") THIS DOCUMENT MAY NOT BE TRANSFERRED OR COPIED WITHOUT THE EXPRESS WRITTEN AUTHORIZATION OF DELL. IN ADDITION, NEITHER THIS SHEET NOR THE INFORMATION IT CONTAINS MAY BE USED BY OR DISCLOSED TO ANY THIRD PARTY WITHOUT DELL'S EXPRESS WRITTEN CONSENT.

DELL CONFIDENTIAL/PROPRIETARY

Compal Electronics, Inc.

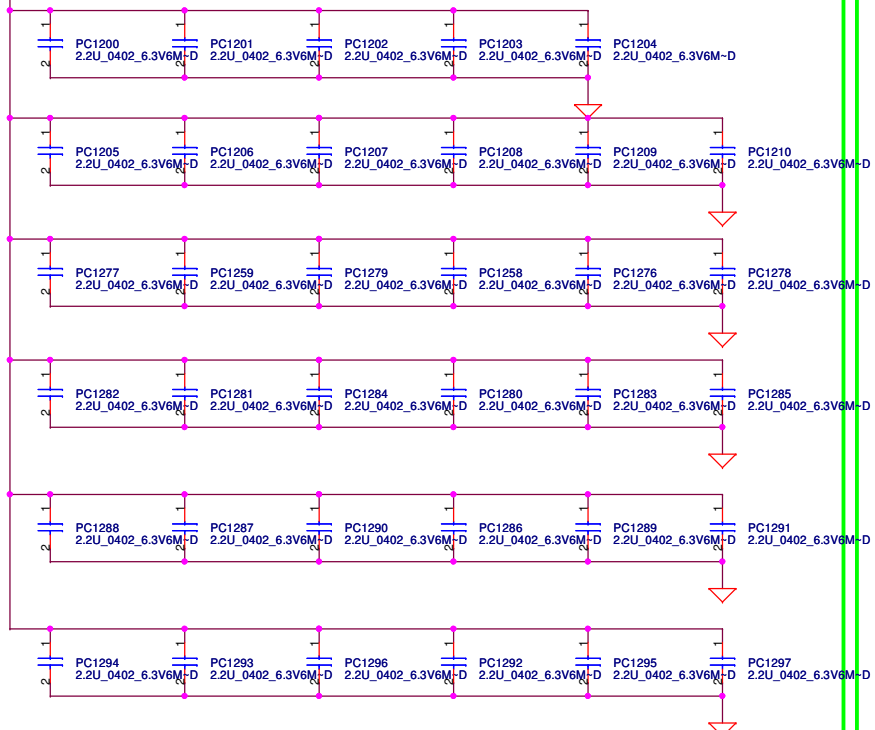
Selector

LA-7731P

Date:	Thursday, September 01, 2011	Sheet:	55 of 59
Size:	Document Number:	Rev: 0.3	

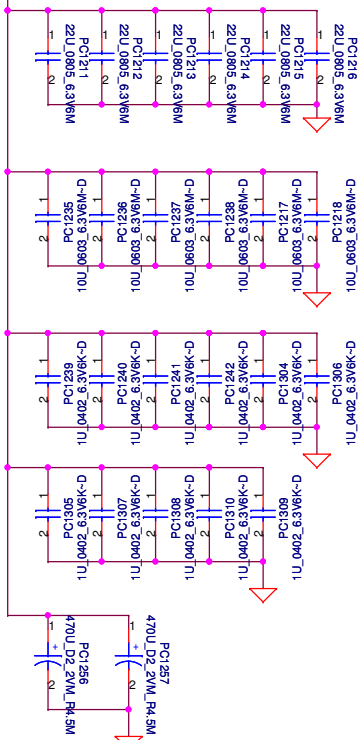
+VCC_CORE

+VCC_CORE



+VCC_GFXCORE

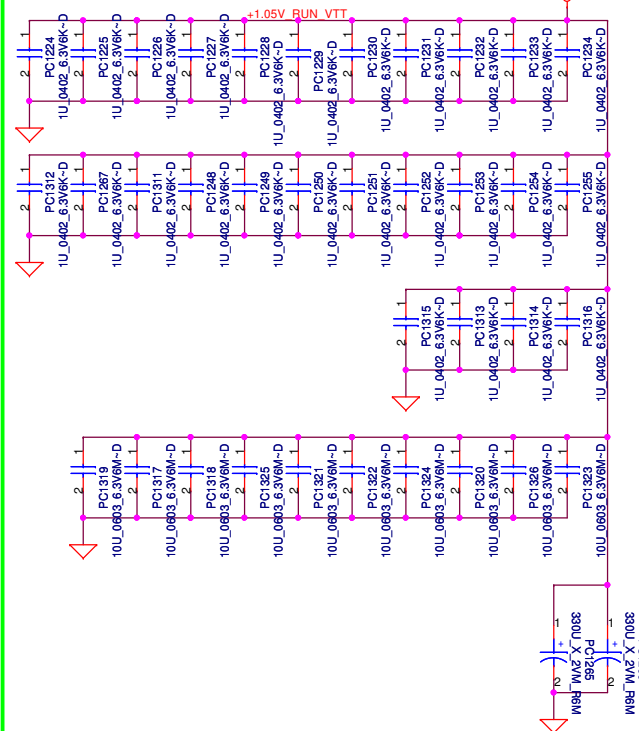
+VCC_GFXCORE



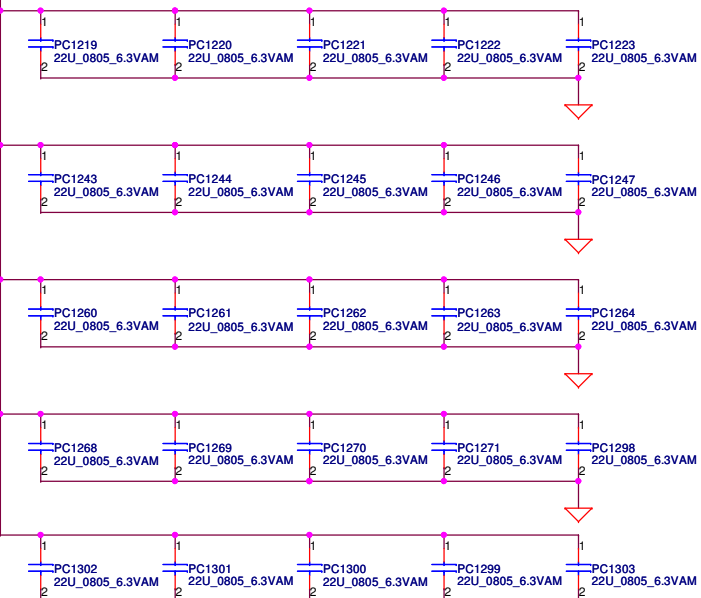
Below is 458544_CRV_PDDG_0.5 Table 5-8.

Socket Bottom	5 x 22 μ F (0805) 5 x (0805) no-stuff sites
Socket Top	7 x 22 μ F (0805) 2 x (0805) no-stuff sites

+1.05V_RUN_VTT

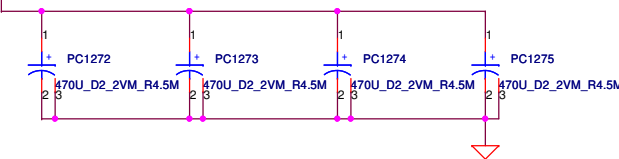


+VCC_CORE



+VCC_CORE

+VCC_CORE



DELL CONFIDENTIAL/PROPRIETARY



Compal Electronics, Inc.


Title	PROCESSOR DECOUPLING		
Size	Document Number	LA-7731P	Rev 0.3
Date:	Thursday, September 01, 2011	Sheet 56	of 59

THIS SHEET OF ENGINEERING DRAWING IS THE PROPRIETARY PROPERTY OF COMPAL ELECTRONICS, INC. AND CONTAINS CONFIDENTIAL AND TRADE SECRET INFORMATION. THIS SHEET MAY NOT BE TRANSFERRED FROM THE CUSTODY OF THE COMPETENT DIVISION OF R&D DEPARTMENT EXCEPT AS AUTHORIZED BY COMPAL ELECTRONICS, INC. NEITHER THIS SHEET NOR THE INFORMATION IT CONTAINS MAY BE USED BY OR DISCLOSED TO ANY THIRD PARTY WITHOUT PRIOR WRITTEN CONSENT OF COMPAL ELECTRONICS, INC.

Item	Page#	Title	Date	Request Owner	Issue Description	Solution Description	Rev.
1	48	+1.5V_MEN	8/16	Dell	Follow VC , enable use SIO_SLP_S4#.	Add PR210 for net "SIO_SLP_S4#"	X01
2	46	DCIN	8/16	Dell	ME design change.	PJPDC1 change from 7pin to 5pin	X01
3	47	+5V/3.3V	8/16	Dell	Main and 2nd IC common setting.	De-pop PD100,PR113,PR111	X01
4	53	Vcore/GFX core	8/16	Compal RF_team	Suppress WWAN BB noise.	Pop PC751,PR760,PC725,PR731,PC745,PR751(680pF 0603, 4.7 ohm 1206)	X01
5	50 51	+1.05VM/ +1.05VTT	8/16	Compal	COS concern, change from D2 Polymer cap to OScon cap	PC406, PC507	X01
6	53	Vcore/GFX core	8/16	Compal	Prevent output voltage glitch when power up.	PU700 VCCP and VDD change form +5V_RUN to +5V_ALW	X01
7	47, 53 , 54	Vcore, Charger +5V/3.3V	8/16	Compal RF_team	EMI solution.	Pop PL700.PL1300,PL100	X01
8	53	Vcore/GFX core	8/16	Compal	adjust OCP and DC load line.	PR740 change to 2.1k ohm, PR750 change to 392 ohm.	X01
9							X01
10							X01
11							X01
12							X01

DELL CONFIDENTIAL/PROPRIETARY

THIS SHEET OF ENGINEERING DRAWING IS THE PROPRIETARY PROPERTY OF COMPAL ELECTRONICS, INC. AND CONTAINS CONFIDENTIAL AND TRADE SECRET INFORMATION. THIS SHEET MAY NOT BE TRANSFERRED FROM THE CUSTODY OF THE COMPETENT DIVISION OF R&D DEPARTMENT EXCEPT AS AUTHORIZED BY COMPAL ELECTRONICS, INC. NEITHER THIS SHEET NOR THE INFORMATION IT CONTAINS MAY BE USED BY OR DISCLOSED TO ANY THIRD PARTY WITHOUT PRIOR WRITTEN CONSENT OF COMPAL ELECTRONICS, INC.

		
Compal Electronics, Inc.		
Title PWR_PIR 1		
Size	Document Number LA-7731P	Rev 0.3
Date: Thursday, September 01, 2011 Sheet 57 of 59		

Version Change List (P. I. R. List)

Item	Page#	Title	Date	Request Owner	Issue Description	Solution Description	Rev.
1	39, 40, 42	HW	7/14/2011	DELL	E4 uses SIO_SLP_S4# for power control	Add @R752, R753	X01
2	11	HW	7/14/2011	Compal	Change DDR channel A signal to DSL	Add CC149, CC152, CC178, CC179	X01
3	18	HW	7/26/2011	DELL	Follow GPIO map rev1.0	Change RH273 from 1k to 10k	X01
4	29	HW	7/26/2011	Compal	EMI request	Pop CE981, CE982, CE983	X01
5	35	HW	7/26/2011	Compal	Solve Express card PAID issue	Add R830	X01
6	7,22	HW	7/27/2011	Compal	Solve ESD issue	Reserve D84, D85	X01
7	25	HW	7/27/2011	Compal	Layout routing	Swap HDMI trace connection on L19, L20, L21, L22 for layout routing	X01
8	29	HW	7/28/2011	Compal	EMI request	Add CE984, CE985	X01
9	7	HW	8/1/2011	Compal	EMI request	Reserve CC141	X01
10	17	HW	8/3/2011	Intel	Request from Intel review feedback	Pop RH332	X01
11	14, 39	HW	8/4/2011	SMSC	SMSC request to delete LPC_LDRQ0#	Leave LDRQ0# no connection on both of 5048 and PCH side	X01
12	20, 42	HW	8/4/2011	Compal	Vgs less than cut-in voltage in battery mode	Add QH6, RH279, CH107	X01
13	42	HW	8/4/2011	Compal	Load SW sources output rising time mismatch and COS. cost concern.	Change back to E3 +3.3V/5V RUN discrete solution. Add Q55, Q56, Q61, Q62, R933, R940, R1627, remove U78, R749, R747, C1199, C1198, C1197, C1196, change C761, C764 to 10uF	X01
14	10	HW	8/4/2011	Compal	Follow INTEL PDDG 0_8	De-pop RC140	X01
15	32	HW	8/4/2011	Compal	RESET_OUT# power sequence issue	Add R1653, 1M ohms pull down for USH_PWR_STATE# at M/B side	X01
16	40	HW	8/4/2011	COMPAL	Change board ID to X01	Change R875 to 130Kohms	X01
17	34	HW	8/4/2011	COMPAL	PCH GPIO52 need 8.2~10K pull up +3.3VS	Change R695 from 100K to 10Kohms	X01
18	23	HW	8/4/2011	COMPAL	CRT SW 2nd source TI, TS3V713 pin29 is VDD	Connect pin29 to +3.3V_RUN	X01
19	16	HW	8/4/2011	COMPAL	+1.05V M turn off before APWROK de-assert	Add UH5 circuit for backup HW solution	X01
20	41	HW	8/4/2011	COMPAL	Reset IC threshold voltage issue	Change U4 to RT9801A (threshold adjustable)	X01
21	29	HW	8/4/2011	COMPAL	Co-lay 92HD93 with ALC290	Pop option for 92HD93/ALC290=>R1646/C1164; R1644/R1643; C965/R1642 Reserve for ALC290 only: C1204, C1205, R171, R1647, C1165, R1648 Reserve for 92HD93 only: R1645, C963	X01
22	29	HW	8/4/2011	COMPAL	Codec is change to 92HD93	Pop R162~R166 and de-pop U73	X01
23	40	HW	8/8/2011	COMPAL	Please depop VOL MUTE/UP/DOWN due to EC code enable internal PU resistors (3V_ALW)	De-pop R1169, R1197, R1118	X01
24	41	HW	8/8/2011	COMPAL	For debug purpose	Add R1624	X01
25	42	HW	8/8/2011	COMPAL	power suggestion	Change Q59 to A04728L	X01
26	43	HW	8/9/2011	COMPAL	Align with E4	Change LED6, LED7 power source from +3.3V_ALW to +5V_ALW	X01
27	14, 40	HW	8/10/2011	COMPAL	Crystal EA result	Change C741, C743 from 22p to 39p, CH2, CH3 from 15p to 18p, CH18, CH19 from 12p to 10p for crystal EA	X01
28	41	HW	08/11/2011	COMPAL	For RSMRST# debug	Reserve R1655 and pop R1623	X01
29	26	HW	08/11/2011	COMPAL	DPX_CA_DET voltage too low through dongle	Change U21 and U24 to SA000055G0L	X01
30	43	HW	08/11/2011	COMPAL	Tune white light LED brightness	Change R934, R938, R939, R949, R958, R957 and R955 to 2.2K ohm	X01

DELL CONFIDENTIAL/PROPRIETARY

Compal Electronics, Inc.			
EE P.I.R (1/2)			
Size	Document Number	Rev	
	LA-7731P	0.3	
Date:	Thursday, September 01, 2011	Sheet	58 of 59

PROPRIETARY NOTE: THIS SHEET OF ENGINEERING DRAWING AND SPECIFICATIONS CONTAINS CONFIDENTIAL TRADE SECRET AND OTHER PROPRIETARY INFORMATION OF DELL INC. ("DELL") THIS DOCUMENT MAY NOT BE TRANSFERRED OR COPIED WITHOUT THE EXPRESS WRITTEN AUTHORIZATION OF DELL. IN ADDITION, NEITHER THIS SHEET NOR THE INFORMATION IT CONTAINS MAY BE USED BY OR DISCLOSED TO ANY THIRD PARTY WITHOUT DELL'S EXPRESS WRITTEN CONSENT.

Version Change List (P. I. R. List)

Item	Page#	Title	Date	Request Owner	Issue Description	Solution Description	Rev.
31	20, 22, 34 38, 39, 43	HW	8/11/2011	COMPAL	Cost saving	Change D2, D31, D32, D34, D59, D62, DH2, DH3, D65, D66, D67, D68, D69, D70 to SCS00002G00	X01
32	11	HW	8/12/2011	COMPAL	Solve S3 wake up issue	Pop RC79 and de-pop RC82	X01
33	36, 41	HW	8/14/2011	ME	ME change connector	Change JUSB1, JUSB2, JBT1	X01
34	30	HW	8/16/2011	ME	ME change connector	Change JLID1	X01
35	17, 32 39, 40	HW	8/18/2011	COMPAL	RF request	Pop R885, C747, R795, C713, RE5 and change CE3 to 12pF and pop it, and add CH109, CH110	X01
36	36	HW	8/19/2011	COMPAL	Follow Intel design guide	Change C410~C413 from 0.01uF to 0.1uF	X01
37	25	HW	8/24/2011	COMPAL	EMI request to solve HDMI issue	Add C1216~C1223	X01
38	7	HW	8/25/2011	COMPAL	ESD request	Change RC25 to 1k and pop CC141	X01
39	40	HW	8/26/2011	SMSC	SMSC request	Reserve R941, R942	X01
40	24, 33	HW	8/26/2011	EMI	EMI request to solve SD/DMIC issue	Reserve CE758, CE279, CE280	X01
41	43	HW	8/27/2011	ME	Solve standoff shift issue	Change H11, H24, H25 to 6mm	X01
42	43	HW	8/29/2011	COMPAL	Tune white light LED brightness	Change R934, R938, R939, R949, R958, R957 and R955 to 1.2K ohm	X01
42	14	HW	8/29/2011	ME	change TAA connector	Change JTAA1	X01

PROPRIETARY NOTE: THIS SHEET OF ENGINEERING DRAWING AND SPECIFICATIONS CONTAINS CONFIDENTIAL TRADE SECRET AND OTHER PROPRIETARY INFORMATION OF DELL INC. ("DELL") THIS DOCUMENT MAY NOT BE TRANSFERRED OR COPIED WITHOUT THE EXPRESS WRITTEN AUTHORIZATION OF DELL. IN ADDITION, NEITHER THIS SHEET NOR THE INFORMATION IT CONTAINS MAY BE USED BY OR DISCLOSED TO ANY THIRD PARTY WITHOUT DELL'S EXPRESS WRITTEN CONSENT.

DELL CONFIDENTIAL/PROPRIETARY

Compal Electronics, Inc.

EE P.I.R (2/2)

LA-7731P

Date: Thursday, September 01, 2011 Sheet 59 of 59

